

Electric Airless Sprayers

3A0158F

EN

For Portable Airless Spraying of Architectural Coatings and Paints. For professional use only. Not approved for use in European explosive atmosphere locations.



Important Safety Instructions

Read all warnings and instructions in the operations manual.

See page 2 for model information.

Related Manuals:



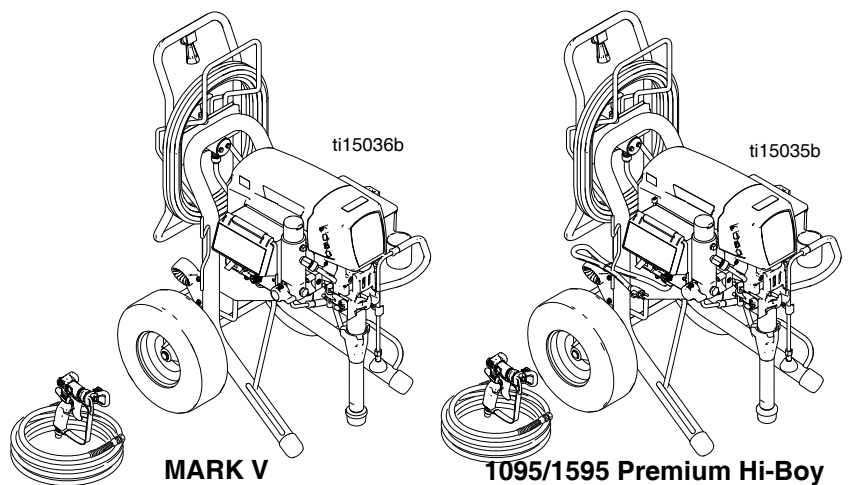
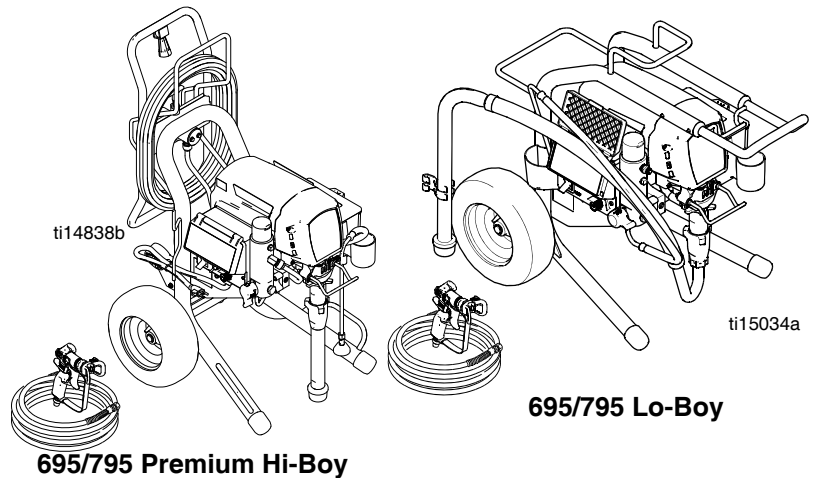
3A0156



3A0157



311861

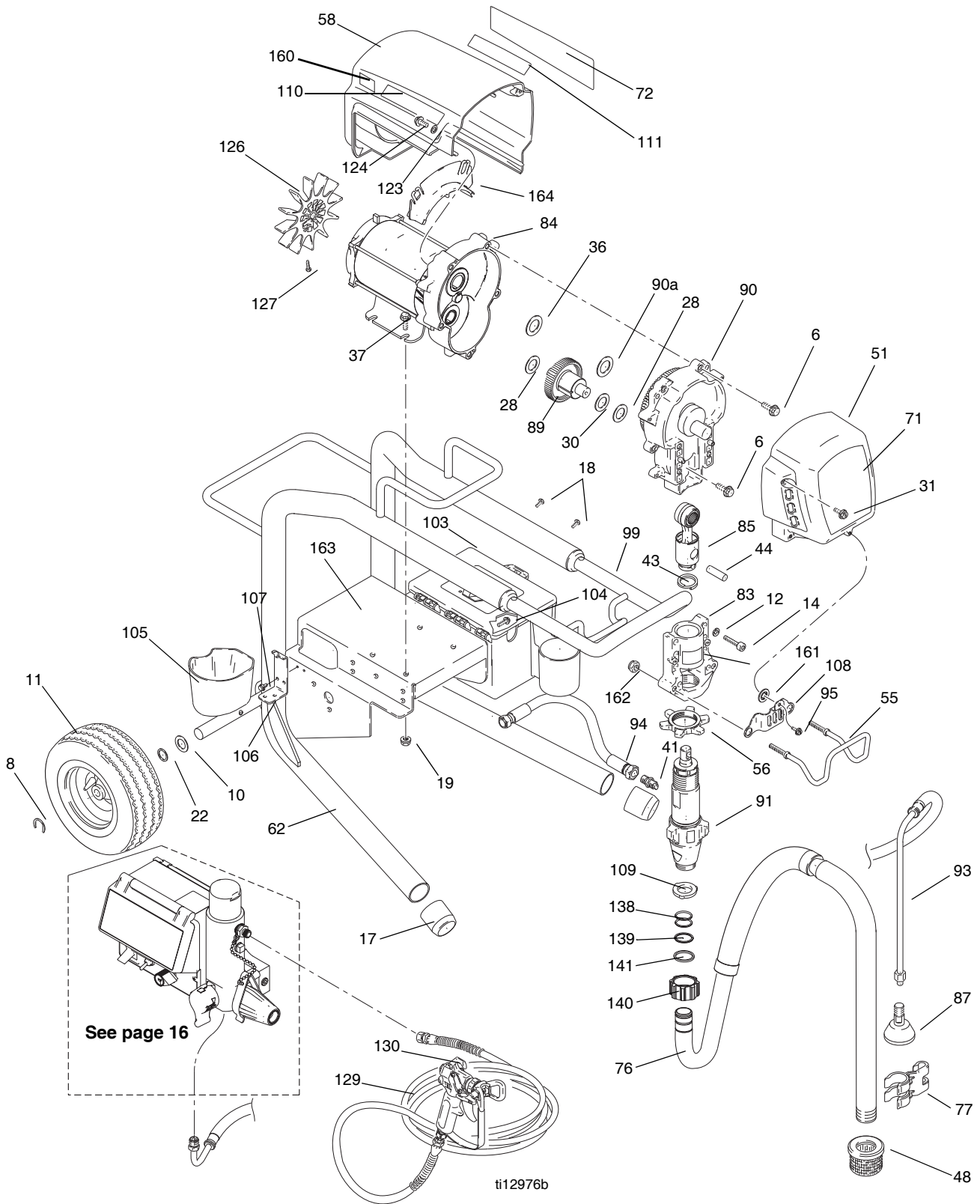


Models:

Models:

695 ULTRA MAX II			
Model	QuikReel	Hi-Boy	Lo-Boy
258719	✓	✓	
258720		✓	
258722			✓
258872			✓
258873		✓	
258874			✓
258876		✓	
258877	✓	✓	
826124	✓	✓	
826125		✓	
826127			✓
795 ULTRA MAX II			
Model	QuikReel	Hi-Boy	Lo-Boy
258723	✓	✓	
258724		✓	
258878	✓	✓	
258879			✓
258881		✓	
258882	✓	✓	
826128	✓	✓	
826129		✓	
1095 ULTRA MAX II			
Model	QuikReel	Hi-Boy	Lo-Boy
258727	✓	✓	
258728		✓	
258883	✓	✓	
258884		✓	
258886	✓	✓	
826130	✓	✓	
826131		✓	
1595 ULTRA MAX II			
Model	QuikReel	Hi-Boy	Lo-Boy
258763	✓	✓	
258764		✓	
258765	✓	✓	
258766		✓	
826132	✓	✓	
826133		✓	
826134	✓	✓	
826135		✓	
MARK IV			
Model	QuikReel	Hi-Boy	Lo-Boy
258729	✓	✓	
MARK V			
Model	QuikReel	Hi-Boy	Lo-Boy
258730	✓	✓	
258887	✓	✓	

695/795 Lo-Boy



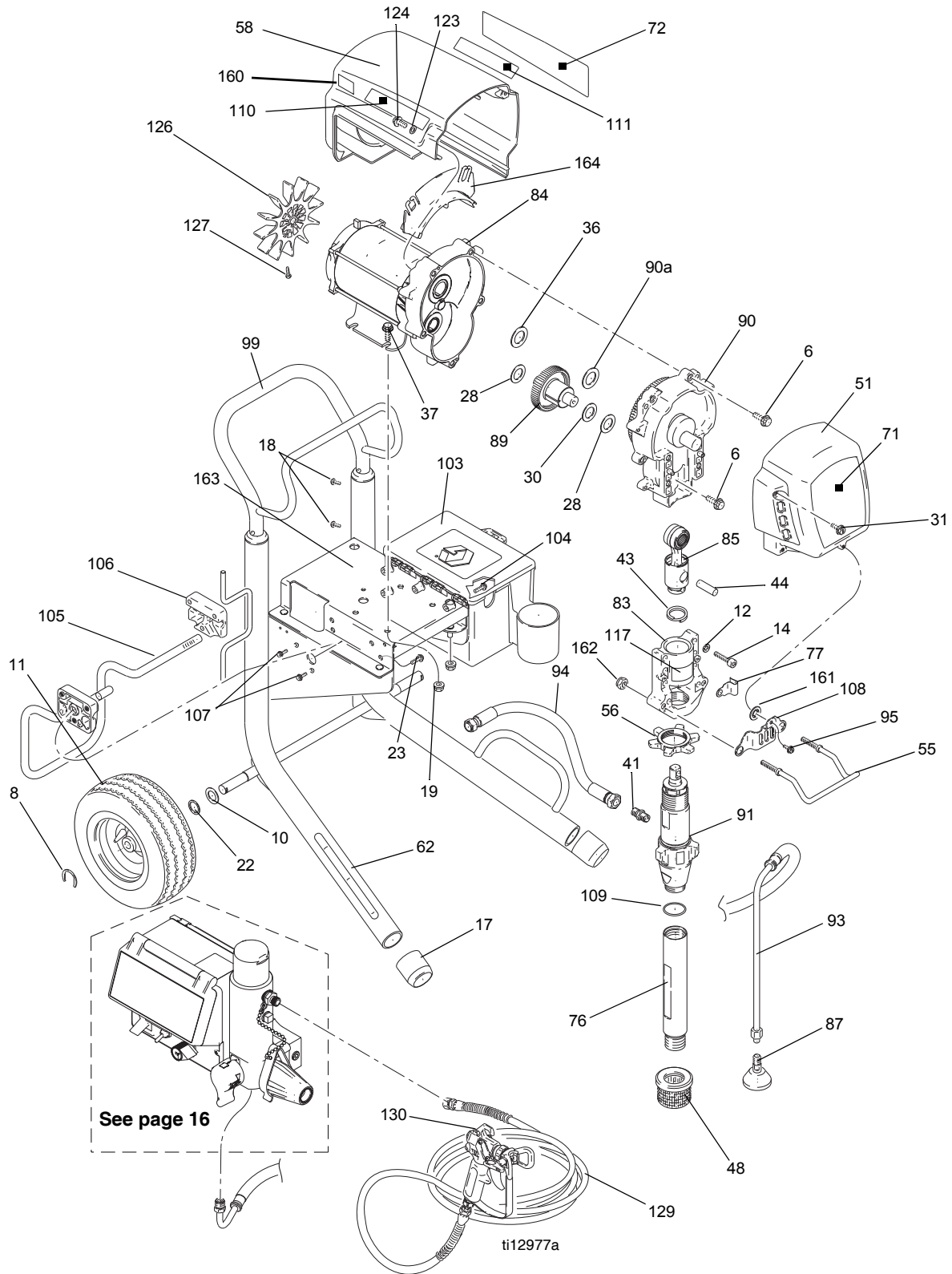
695/795 Lo-Boy Parts List

Ref.	Part	Description	Qty	Ref.	Part	Description	Qty	
6	15C753	SCREW, mach, torx, hex	5	89	287289	GEAR, combination; <i>includes 28, 30</i>	1	
8	15E891	CLIP, retaining	2	90		HOUSING, drive, M1; <i>includes 6, 36, 90a</i>	1	
10	156306	WASHER, flat	2		287283	695		
11*	119420	WHEEL, pneumatic	2		287284	795		
12	106115	WASH, lock, spring	4	90a	107089	WASHER, race, thrust	1	
14	107210	SCREW, cap, socket hd	4	91	248204	PUMP, displacement 695/795; <i>includes 109</i>	1	
17	15C871	CAP, leg	2	93	248217	HOSE, drain; <i>includes 87</i>	1	
18	109032	SCREW, mach, pnh	4	94	15D049	HOSE, coupled, 1/4 x 15.75	1	
19	112746	NUT, hex, flanged	8	95	114000	SCREW, control housing	1	
22	116038	WASHER, wave spring	2	99	288448	HANDLE, cart	1	
28	114672	WASHER, thrust	2	103	287253	TOOL BOX; <i>includes 104</i>	1	
30	114699	WASHER, thrust	1	104	118852	SCREW, machine, hex washer	3	
31	118444	SCREW, machine, hex washer hd	4	105	276975	CUP, drain	1	
36	116191	WASHER, thrust	1	106	15F952	BRACKET, drain cup	1	
37	100057	SCREW, cap, hex hd	4	107	114423	SCREW, mach, hex hd	2	
41	162453	FITTING, (1/4 NPSM x 1/4 NPT)	1	108	15C859	SHIELD, pump rod	1	
43	176817	SPRING, retaining	1	109	115099	WASHER, garden hose	1	
44	176818	PIN, str, hdls	1	110	16D585	LABEL, Ultra Premium, sides	2	
48	189920	STRAINER, (1-11 1/2 NPSM)	1	117	187436	LABEL, torque	1	
51	287291	COVER, drive, plastic, painted; <i>includes 31, 95</i>	1	123	276980	GROMMET, cover	2	
55	16C457	HANGER, pail	1	124	119250	SCREW, shoulder, hex washer	2	
56	192723	NUT, retaining	1	126	15D088	FAN, motor	1	
58	287281	695 SHIELD, motor, painted; <i>includes 31</i>	1	127	115477	SCREW, mach, torx, pan hd	1	
		287282	795 SHIELD, motor, painted; <i>includes 31</i>	1	128▲	222385	TAG, WARNING (not shown)	1
62	288898	FRAME, cart	1	129		HOSE, cpld, 1/4 in. x 50 ft	1	
71		LABEL	1		240794	Ultra		
	15K374	Ultra 695			826079	Ultimate		
	15D068	Ultra 795		130	288420	GUN, contractor Manual 311861	1	
	824995	Ultimate 695		138	117559	O-RING	2	
72		LABEL	1	139	118505	RING, retaining, external	1	
	15K381	Ultra 695		140	15C980	NUT, jam	1	
	15D069	Ultra 795		141	15C981	WASHER, suction swivel	1	
	824996	Ultimate 695		160	15Y118	LABEL, Made in USA	1	
76	248216	HOSE, suction; <i>includes 109, 138, 134, 140, 141</i>	1	161	124172	WASHER, retaining, nylon, 10-32	1	
77	15D000	CLIP, drain line	1	162	112746	NUT, hex	2	
83	240523	HOUSING, bearing; <i>includes 162, 55</i>	1	163	288899	SHELF, PEM assembly	1	
84		MOTOR, electric; <i>includes 126, 127</i>	1	164	278075	BAFFLE	1	
	257185	695						
	257186	795						
85	241008	ROD, connecting; <i>includes 43</i>	1					
87	241920	DEFLECTOR, threaded	1					

* 253132 KIT, repair, tube, 11 in.

▲ Extra Danger & Warning tags & labels available free.

695/795 Hi-Boy



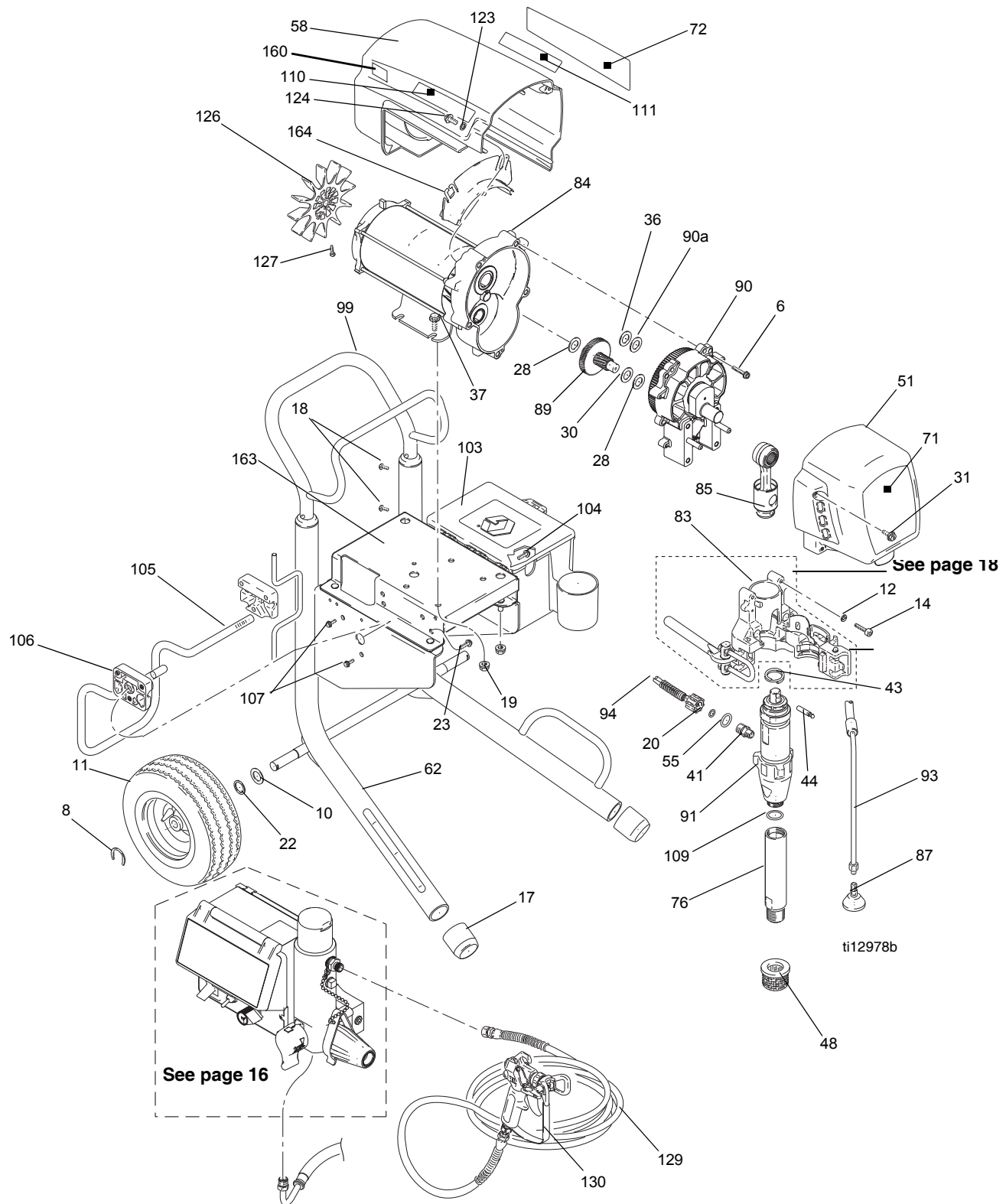
695/795 Hi-Boy Parts List

Ref.	Part	Description	Qty	Ref.	Part	Description	Qty
6	15C753	SCREW, mach, torx, hex	5	89	287289	GEAR, combination; includes 28, 30	1
8	15E891	CLIP, retaining	2	90		HOUSING, drive, M1; includes 6, 36, 90a	1
10	156306	WASHER, flat	2		287283	695	
11*	119420	WHEEL, pneumatic	2		287284	795	
12	106115	WASH, lock, spring	4	90a	107089	WASHER, race, thrust	1
14	107210	SCREW, cap, socket hd	4	91	248204	PUMP, displacement; <i>includes 109</i>	1
17	15C871	CAP, leg	2	93	244240	HOSE, coupled; <i>includes 87</i>	1
18	109032	SCREW, mach, pnh	4	94	15D049	HOSE, coupled, 1/4 x 15.75	1
19	112746	NUT, hex, flanged	8	95	114000	SCREW, control housing	1
22	116038	WASHER, wave spring	2	99	287489	HANDLE, cart	1
23	110963	SCREW, cap, flng hd	2	103	287253	TOOLBOX, <i>includes 104</i>	1
28	114672	WASHER, thrust	2	104	118852	SCREW, hex washer hd	3
30	114699	WASHER, thrust	1	105	15D281	HANGER, stand, cart	1
31	118444	SCREW, machine, hex washer hd	4	106	15C982	CAM, cart	2
36	116191	WASHER, thrust	1	107	114531	SCREW, mach, hex washer	4
37	100057	SCREW, cap, hex hd	4	108	15C859	SHIELD, pump rod	1
41	162453	FITTING, (1/4 NPSM x 1/4 NPT)	1	109	118494	PACKING, o-ring	1
43	176817	SPRING, retaining	1	110	16D585	LABEL, Ultra Premium, sides	2
44	176818	PIN, str, hdls	1	117	187436	LABEL, torque	1
48	189920	STRAINER, (1-11 1/2 NPSM)	1	123	276980	GROMMET, cover	2
51	287291	COVER, drive, plastic, painted; <i>includes 31, 95</i>	1	124	119250	SCREW, shoulder, hex, washer	2
55	16C457	HANGER, pail	1	126	15D088	FAN, motor	1
56	192723	NUT, retaining	1	127	115477	SCREW, mach, torx, pan, hd	1
58		SHIELD, motor, painted; <i>includes 31</i>	1	128▲	222385	TAG, WARNING (not shown)	1
	287281	695		129		HOSE, cpld, 1/4 in. x 50 ft	1
	287282	795			240794	Ultra	
62	288605	FRAME, cart	1		826079	Ultimate	
71		LABEL	1	130	288420	GUN, contractor Manual 311861	1
	15K374	Ultra 695		160	15Y118	LABEL, Made in USA	1
	15D068	Ultra 795		161	124172	WASHER, retaining, nylon, 10-32	1
	824995	Ultimate 695		162	112746	NUT, hex	2
	824998	Ultimate 795		163	288899	SHELF, PEM assembly	1
72		LABEL	1	164	278075	BAFFLE	1
	15K381	Ultra 695					
	15D069	Ultra 795					
	824996	Ultimate 695					
	824999	Ultimate 795					
76	248214	TUBE, intake; <i>includes 109</i>	1				
77	278204	CLIP, spring	1				
83	240523	HOUSING, bearing; includes 55, 162	1				
84		MOTOR, electric	1				
	257185	695					
	257186	795					
85	241008	ROD, connecting; <i>includes 43</i>	1				
87	241920	DEFLECTOR, threaded	1				

▲ Extra Danger and Warning tags and labels available free.

* 253132 KIT, repair, tube

1095/1595 Hi-Boy



1095/1595 Hi-Boy

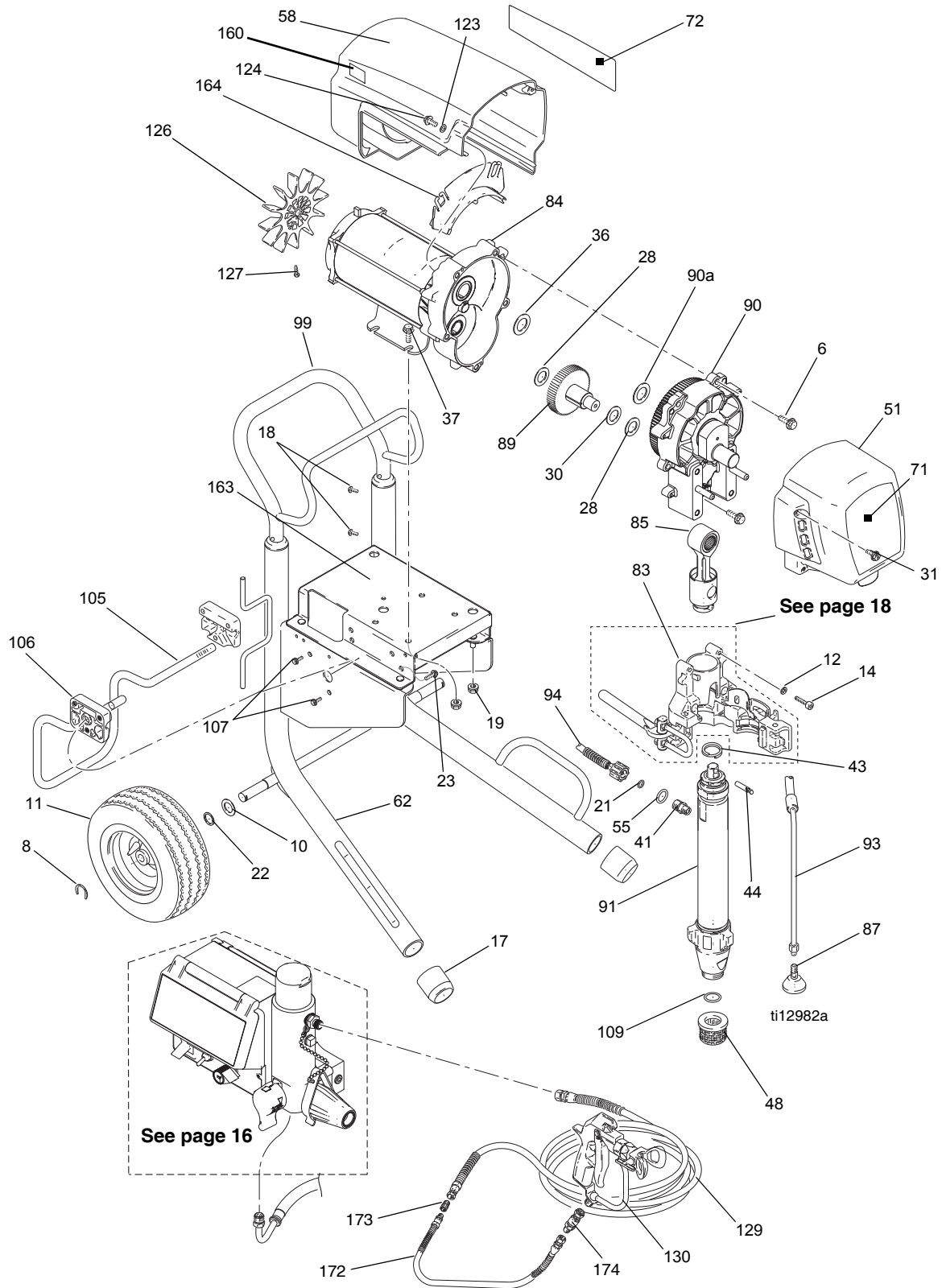
Ref.	Part	Description	Qty	Ref.	Part	Description	Qty
6	15C753	SCREW, mach, torx, hex	5	85	287472	ROD, connecting; <i>includes 43, 44</i>	1
8	15E891	CLIP, retaining	2	87	241920	DEFLECTOR, threaded	1
10	156306	WASHER, flat	2	89	287290	GEAR, combination; <i>includes 28, 30</i>	1
11*	119509	WHEEL, pneumatic	2	90		HOUSING, drive, M1; <i>includes 6, 36, 90a</i>	1
12	106115	WASH, lock, spring	4		287294	1095	
14	114666	SCREW, cap, socket hd	4		287295	1595	
17	276974	CAP, leg	2	90a	107089	WASHER, race, thrust	1
18	108795	SCREW, mach, pnh	4	91	287513	PUMP, displacement; <i>includes 41, 76, 109</i>	1
19	112746	NUT, hex, flanged	8	93	287952	HOSE, drain; <i>includes 87</i>	1
20	111457	O-RING	1	94	288658	HOSE, coupled	1
22	116038	WASHER, wave spring	2	99	24A250	HANDLE, cart	1
23	110963	SCREW, cap, flng hd	2	103†	287253	TOOLBOX; <i>includes 104</i>	1
28	114672	WASHER, thrust	2	104†	118852	SCREW, hex washer hd	3
30	114699	WASHER, thrust	1	105	15C858	HANGER, stand, cart	1
31	118444	SCREW, machine, hex washer hd	4	106	15C982	CAM, cart	2
36	116192	WASHER, thrust	1	107	114531	SCREW, mach, hex washer	4
37	100057	SCREW, cap, hex hd	4	109	118494	PACKING, o-ring	1
41	15E802	FITTING, pump, quick disc	1	110	16D585	LABEL, Ultra Premium, sides	2
43	119778	SPRING, retaining	1	123	276980	GROMMET, cover	2
44	15F110	PIN, pump	1	124	119250	SCREW, shoulder, hex, washer	3
48	189920	STRAINER, (1-11 1/2 NPSM)	1	126	15D088	FAN, motor	1
51	287292	COVER, drive, plastic, painted; <i>includes 31</i>	1	127	115477	SCREW, mach, torx, pan, hd	1
55	119790	PACKING, o-ring	1	128▲	222385	TAG, WARNING (not shown)	1
58	287282	SHIELD, motor, painted; <i>includes 31</i>	1	129		HOSE, cpld, 1/4 in. x 50 ft	1
62	288663	FRAME, cart 1095/1595	1		240794	Ultra	
71		LABEL, UltraMax	1		826079	Ultimate	
	15D071	Ultra 1095		130	288420	GUN, contractor Manual 311861	1
	15D074	Ultra 1595		160	15Y118	LABEL, Made in USA	1
	825011	Ultimate 1095		163	288899	SHELF, PEM assembly	1
	825014	Ultimate 1595		164	278075	BAFFLE	1
72		LABEL, UltraMax II 1095/1595	1				
	15D072	Ultra 1095					
	15D075	Ultra 1595					
	825012	Ultimate 1095					
	825015	Ultimate 1595					
76	248215	TUBE, intake; <i>includes 109</i>	1				
83	287933	HOUSING, bearing	1				
84		MOTOR, electric; <i>includes 126, 127</i>	1				
	257187	1095					
	257188	1595					

▲ Extra Danger and Warning tags and labels available free.

* 253131 KIT, repair, tube

† Premium Sprayers

Mark V Hi-Boy



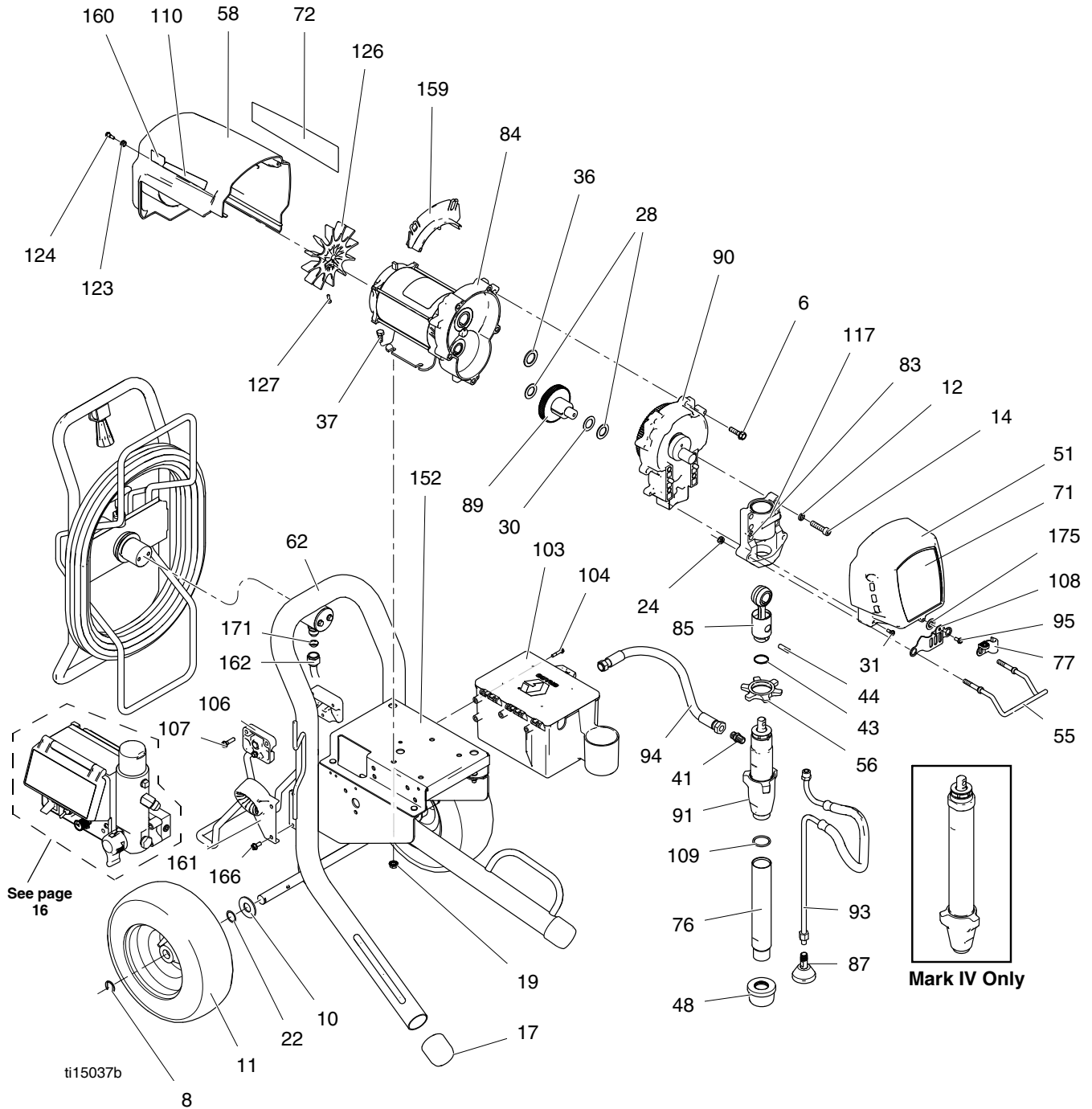
Mark V Hi-Boy Parts List

Ref.	Part	Description	Qty	Ref.	Part	Description	Qty
6	15C753	SCREW, mach, torx, hex	5	90	287295	HOUSING, drive; <i>includes 6, 36, 90a</i>	1
8	15E891	CLIP, retaining	2	90a	107089	WASHER, race, thrust	1
10	156306	WASHER, flat	2	91	287929	PUMP, displacement; <i>includes 41, 109</i>	1
11*	119509	WHEEL, pneumatic	2	93	287952	HOSE, drain; <i>includes 87</i>	1
12	106115	WASH, lock, spring	4	94	288659	HOSE, coupled	1
14	114666	SCREW, cap, socket hd	4	99	24A250	HANDLE, cart	1
17	276974	CAP, leg	2	105	15C858	HANGER, stand, cart	1
18	108795	SCREW, mach, pnh	4	106	15C982	CAM, cart	2
19	112746	NUT, hex, flanged	8	107	114531	SCREW, mach, hex washer	4
21	109450	O-RING	1	123	276980	GROMMET, cover	2
22	116038	WASHER, wave spring	2	124	119250	SCREW, shoulder, hex, washer	3
23	110963	SCREW, cap, flng hd	2	126	15D088	FAN, motor	1
28	114672	WASHER, thrust	2	127	115477	SCREW, mach, torx, pan, hd	1
30	114699	WASHER, thrust	1	128▲	222385	TAG, WARNING (not shown)	1
31	118444	SCREW, machine, hex washer hd	4	129	240797	HOSE, cpld, 3/8 in. x 50 ft	1
36	116192	WASHER, thrust	1	130	241705	GUN, spray, texture	1
37	100057	SCREW, cap, hex hd	4	160	15Y118	LABEL, Made in USA	1
41	15G880	FITTING, pump, quick disc	1	163	288899	SHELF, PEM assembly	1
43	119778	SPRING, retaining	1	164	278075	BAFFLE	1
44	15F110	PIN, pump	1	172	241735	HOSE, cpld, 1/4 in. x 3 ft	1
48	189920	STRAINER, (1-11 1/2 NPSM)	1	173	159841	ADAPTER, 1/4 npt (f) x 3/8 npt (m)	1
51	287292	COVER, drive, plastic, painted	1	174	189018	SWIVEL, 1/4 npsm (f) x 1/4 npsm (m)	1
55	C20195	PACKING, o-ring	1				
58	287282	SHIELD, motor, painted	1				
62	288663	FRAME, cart	1				
71	15G804	LABEL, Mark V	1				
72	15G805	LABEL, Mark V	1				
83	287933	HOUSING, bearing	1				
84	257188	MOTOR, electric; <i>includes 126, 127</i>	1				
85	287472	ROD, connecting; <i>includes 43, 44</i>	1				
87	241920	DEFLECTOR, threaded	1				
89	287290	GEAR, combination; <i>includes 28, 30</i>	1				

▲ *Extra Danger and Warning tags and labels available free.*

* *253131 KIT, repair, tube*

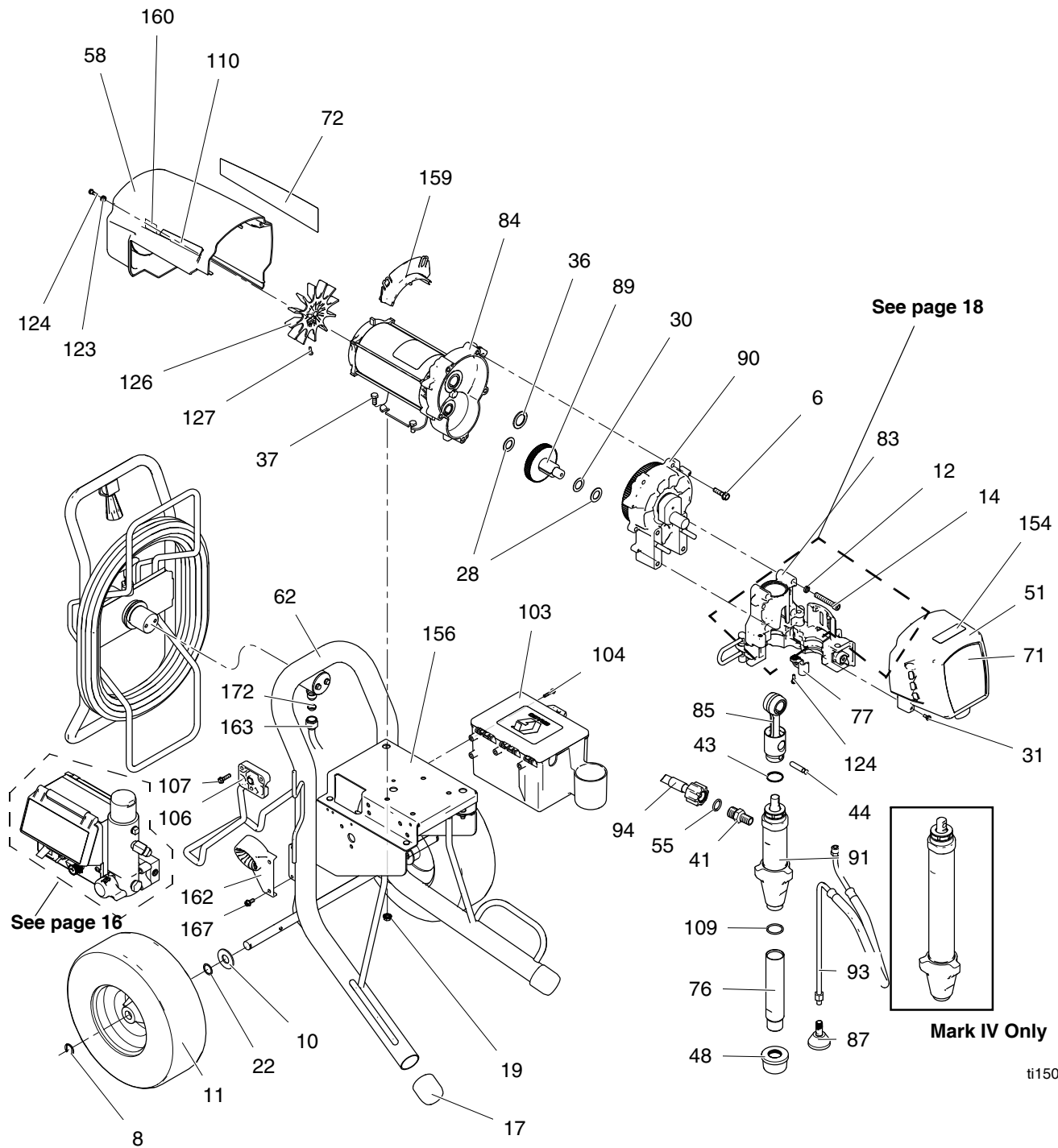
695/795/MARK IV (with Hose Reel)



695/795/MARK IV Parts List (with Hose Reel)

Ref.	Part	Description	Qty	Ref.	Part	Description	Qty
6	15C753	SCREW, mach, hex wash hd	5	87	241920	DEFLECTOR, threaded	1
8	15E891	CLIP, retaining	2	89	287289	GEAR, combination;	1
10	156306	WASHER, flat	2			<i>includes 28, 30</i>	
11	119420	WHEEL, pneumatic	2	90		HOUSING, drive, M1;	1
12	106115	WASHER, lock (hi-collar)	4			<i>includes 6, 36, 90a</i>	
14	110141	SCREW, cap, sch	4		287283	695 Models	
17	276974	CAP, leg	2		287284	795/Mark IV	
19	112746	NUT, hex, flange head	8	90a	107089	WASHER, race, thrust	1
22	116038	WASHER, wave spring	2	91	248204	PUMP, displacement; 695/795	1
24	112746	NUT, lock, nylon, thin pattern	2			<i>includes 109</i>	
28	114672	WASHER, thrust	2		253056	PUMP, displacement (Mark IV)	
30	114699	WASHER, thrust	1	93	243993	HOSE, drain, ultra hi-boy	1
31	118444	SCREW, mach, slot hex wash hd	4	94	222385	TAG, warning	1
36	116191	WASHER, thrust, (1095/795)	1	95	114000	SCREW, mach, hex wash hd	1
37	100057	SCREW, cap, hex hd	4	103	287253	TOOL BOX; <i>includes 104</i>	1
41	162453	FITTING, (1/4 npsm x 1/4 npt)	1	104	118852	SCREW, thd forming, hex	3
43	176817	SPRING, retaining	1			washer hd	
44	176818	PIN, str, hdls	1	106	15C982	CAM, cart	2
48	189920	STRAINER, (1-11 1/2 npsm)	1	107	114531	SCREW, mach, hex washer hd	4
51	287291	COVER, drive, plastic, painted;	1	108	15C859	SHIELD, pump rod	1
		<i>includes 31, 95</i>		109	118494	PACKING, o-ring	1
55	16C457	HANGER, pail	1	110	16D585	LABEL, premium, left	1
56	192723	NUT, retaining	1	117	187437	LABEL, torque	1
58		SHIELD, motor, painted;	1	123	276980	GROMMET, cover	2
		<i>includes 31</i>		124	119250	SCREW, shoulder	2
	287281	695 Models		126	15D088	FAN, motor	1
	287282	795 Models		127	115477	SCREW, mach, torx pan hd	1
62	24J083	FRAME, platinum, 695/795	1	152	288899	SHELF, ultra, pem assembly	1
71	15K374	LABEL, brand, front (Ultra Max II)	1	159	278075	BRACKET, wire	1
72	15K381	LABEL, brand, side (Ultra Max II)	1	160	15Y118	LABEL, Made in the USA	1
76	248214	TUBE, intake; <i>includes 109</i>	1	161	278083	GUIDE, hose, ultra platinum	1
77	278204	CLIP, drain line	1	162	24J080	TUBE, formed, ultra, platinum	1
83	240523	HOUSING, bearing;	1	166	117633	SCREW, slot hex wash hd	2
		<i>includes 55, 162</i>		171	123739	SEAL, fitting, flared	2
84		MOTOR, electric	1	175	124172	WASHER, retaining, nylon, 10-32	1
	257185	695 Models					
	257186	795/Mark IV					
85	241008	ROD, connecting; <i>includes 43</i>	1				

1095/1595/MARK V (with Hose Reel)

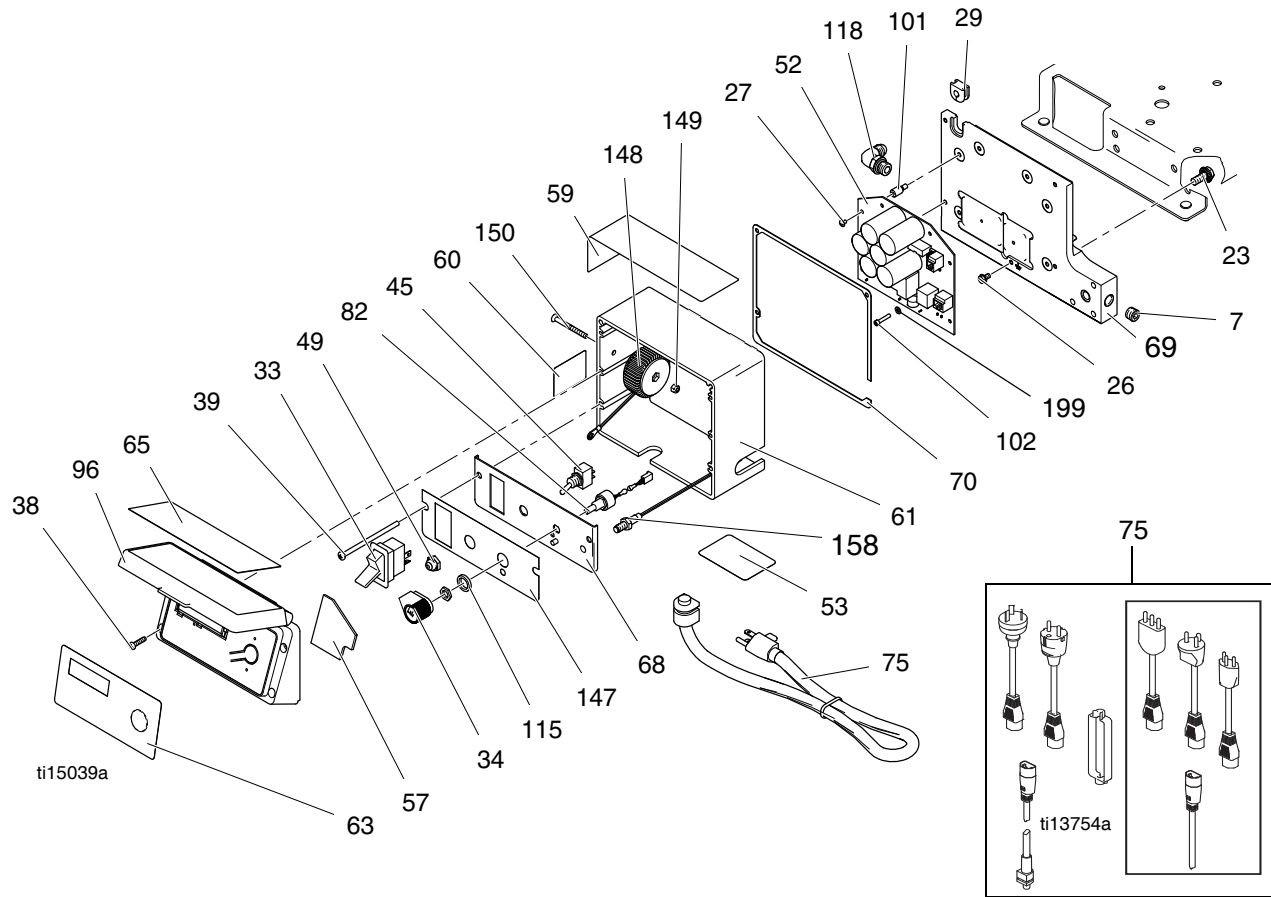


ti15038b

1095/1595/MARK V Parts List (with Hose Reel)

Ref.	Part	Description	Qty	Ref.	Part	Description	Qty
6	15C753	SCREW, mach, hex wash hd	5	89	287290	GEAR, combination; <i>includes 28, 30</i>	1
8	15E891	CLIP, retaining	2	90		HOUSING, drive, M1; <i>includes 6, 36, 90a</i>	1
10	156306	WASHER, flat	2		287294	1095 Models	
11	119509	WHEEL, pneumatic	2		287295	1595 Models	
12	106115	WASHER, lock (hi-collar)	4	90a	107089	WASHER, race, thrust	1
14	114666	SCREW, cap, socket head	4	91		PUMP, displacement; <i>includes 41, 76, 109</i>	1
17	276974	CAP, leg	2		287513	1095/1595 Models	
19	112746	NUT, hex, flange head	8		287929	Mark V Models	
22	116038	WASHER, wave spring	2	93	287952	HOSE, drain; <i>includes 87</i>	1
28	114672	WASHER, thrust	2	94	288658	KIT, hose, cpld, 1/2 in, 1095/1595	1
30	114699	WASHER, thrust	1		288659	KIT, hose, cpld 1/2 in, Mark V	
31	118444	SCREW, mach, slot hex wash hd	4	103	287253	TOOL BOX; <i>includes 104</i>	1
36	116192	WASHER, thrust, (1595)	1	104	118852	SCREW, thd forming, hex washer hd	3
37	100057	SCREW, cap, hex hd	4	106	15C982	CAM, cart	2
41	15E802	FITTING 1095/1595	1	107	114531	SCREW, mach, hex washer hd	4
	15G880	FITTING Mark V		109	118494	PACKING, o-ring	1
43	119778	SPRING, retaining	1	110	16D585	LABEL, premium	1
44	15F110	PIN, pump, 5900	1	123	276980	GROMMET, cover	2
48	189920	STRAINER, (1-11 1/2 npsm)	1	124	119250	SCREW, shoulder	3
51	287292	COVER, drive, plastic, painted; <i>includes 31</i>	1	126	15D088	FAN, motor	1
55	119790	PACKING, o-ring	1	127	115477	SCREW, mach, torx pan hd	1
58	287282	SHIELD, motor, painted; <i>includes 31</i>	1	154	15F584	LABEL, Proconnect	1
62	24J083	FRAME, platinum, 1095/MARK V	1	156	288899	SHELF, ultra, pem assembly	1
71	15D071	LABEL, front, Ultra Max II 1095	1	159	278075	BRACKET, wire	1
72	15D072	LABEL, right side	1	160	15Y118	LABEL, Made in the USA	1
76	248215	TUBE, intake; <i>includes 109</i>	1	162	278083	GUIDE, hose, ultra platinum	1
77	278204	CLIP, drain line	1	163	24J081	TUBE, formed, ultra, platinum	1
83	287933	HOUSING, bearing	1	167	117633	SCREW, slot hex wash hd	2
84		MOTOR, electric; <i>includes 126, 127</i>	1	172	123739	SEAL, fitting, flared	2
	257187	1095 Models			222385	TAG, warning (not shown)	
	257188	1595/Mark V Models					
85	287472	ROD, connecting; <i>includes 43, 44</i>	1				
87	241920	DEFLECTOR, threaded	1				

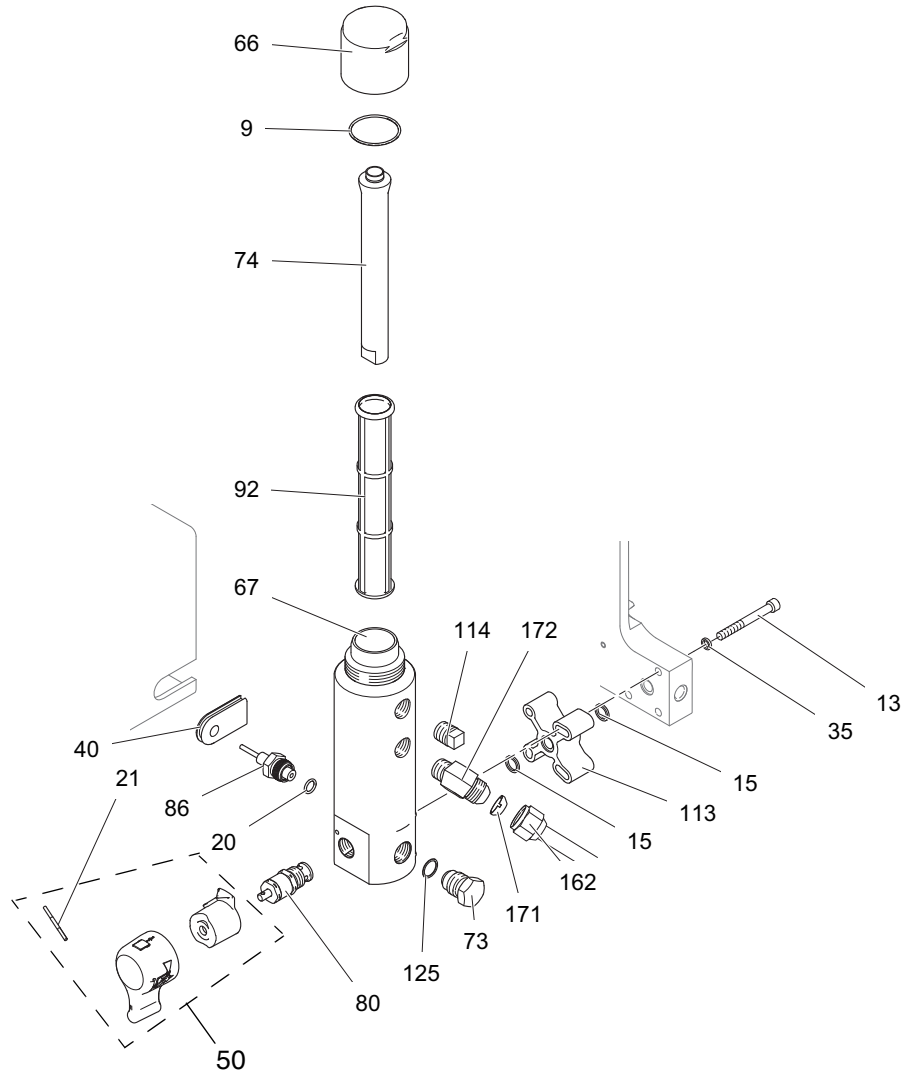
Control Box



Parts List

Ref.	Part	Description	Qty.	Ref.	Part	Description	Qty.
7	100721	PLUG, pipe	1	68	15X617	PANEL, control	1
23	110963	SCREW, cap, flange head	2	69	15V937	PLATE, power bar	1
26	114391	SCREW, grounding	1	70	15D036	GASKET, control box	1
27	113045	SCREW, sems, mach, phillips	1	75		CORD, power	1
29	15V996	GROMMET, motor lead	1	15H064		120V Models 695, 795, 1095, Mark IV	1
32	115522	SCREW, mach, pnh	3	15H065		120V Models 1595, Mark V	1
33	15C979	SWITCH, rocker	1	15D529		240V Models	
34	116167	KNOB, potentiometer	1	15H066		120V CSA Models 1595, Mark V	
38	116252	SCREW, #10, taptite phil	4	82	256219	POTENTIOMETR, assembly	1
39	112381	SCREW, mach, pan head	4	96	287286	KIT, repair, premium	1
45	119541	SWITCH, toggle	1			<i>includes 38, 63, 65</i>	
49	195428	BOOT, toggle	1	15D456		COVER, control, standard	1
52	258964	CONTROL, board; <i>includes 27, 102</i>	1	101	15V938	STUD, board	1
	258965	CONTROL, board; <i>includes 27, 102</i>		102	C19962	SCREW, IPM and diode	1
		120V Models		115	15C973	GASKET	1
		240V Models		118	118896	FITTING	1
53	15E968	LABEL, transparent	2	147	15X620	LABEL, Euro Premium control	1
57	15E008	PAD, foam	1	148	287943	KIT, repair, coil;	1
59	15D523	LABEL, warning, domestic	1			<i>includes nut and screw</i>	
60	195833	LABEL, warning, Eng/Fre/Spa	1	149	116969	NUT, lock	1
61	15G953	BOX, control	1	150	120223	SCREW, machine, flat head	1
63	198648	LABEL, LCD, GMAX	1	158	122507	SWITCH, reed	1
65	15K394	LABEL, control box cover, premium	1	199	16C742	WASHER	2
	15D609	LABEL, control box cover, standard	1				

Filter

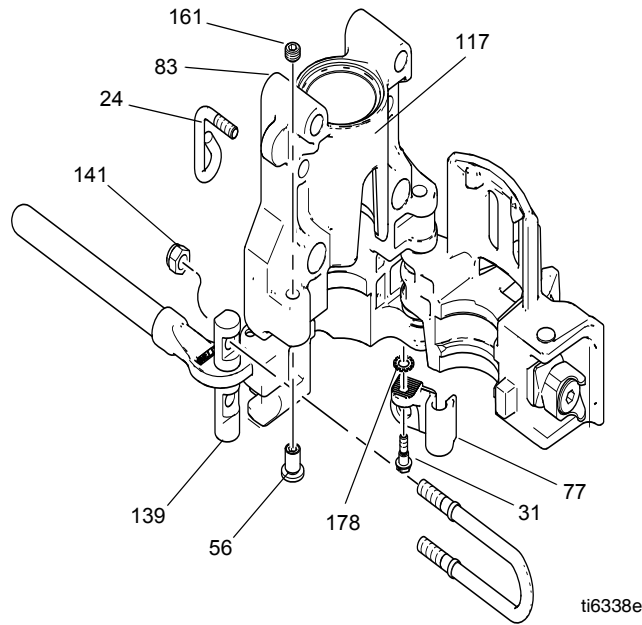


ti15040a

Parts List

Ref.	Part	Description	Qty	Ref.	Part	Description	Qty
9	117285	PACKING, o-ring	1	86	243222	TRANSDUCER, pressure control	1
13	C19817	SCREW, cap, socket head	3	92		FILTER, fluid	1
15	121513	PACKING, square ring	2		244071	30 mesh	
20	111457	PACKING, o-ring	2		244067	60 mesh, original equipment	
21	15C972	PIN, grooved	1		244068	100 mesh	
35	105510	WASHER, lock, spring (hi-collar)	3		244069	200 mesh	
40	15D033	GROMMET, transducer	1	113	15F844	SPACER, manifold	1
50		KIT, handle	1	114	104813	PLUG, pipe	1
	24E233	FAST FLUSH		125	15D541	SEAL, washer	1
	24E234	TWO POSITION		162		TUBE, formed, ultra platinum	1
66	15C765	CAP, filter	1		24J080	695/795 Models	
67	15C838	BASE, filter	1		24J081	1095/Mark V Models	
73	248314	PLUG, Autoclean; <i>includes 41</i>	1	171	123739	SEAL, fitting, flared	2
74	15C766	TUBE, diffusion	1	172	122533	FITTING, 45 degree, elbow	1
80	24B156	VALVE, prime, HD	1				

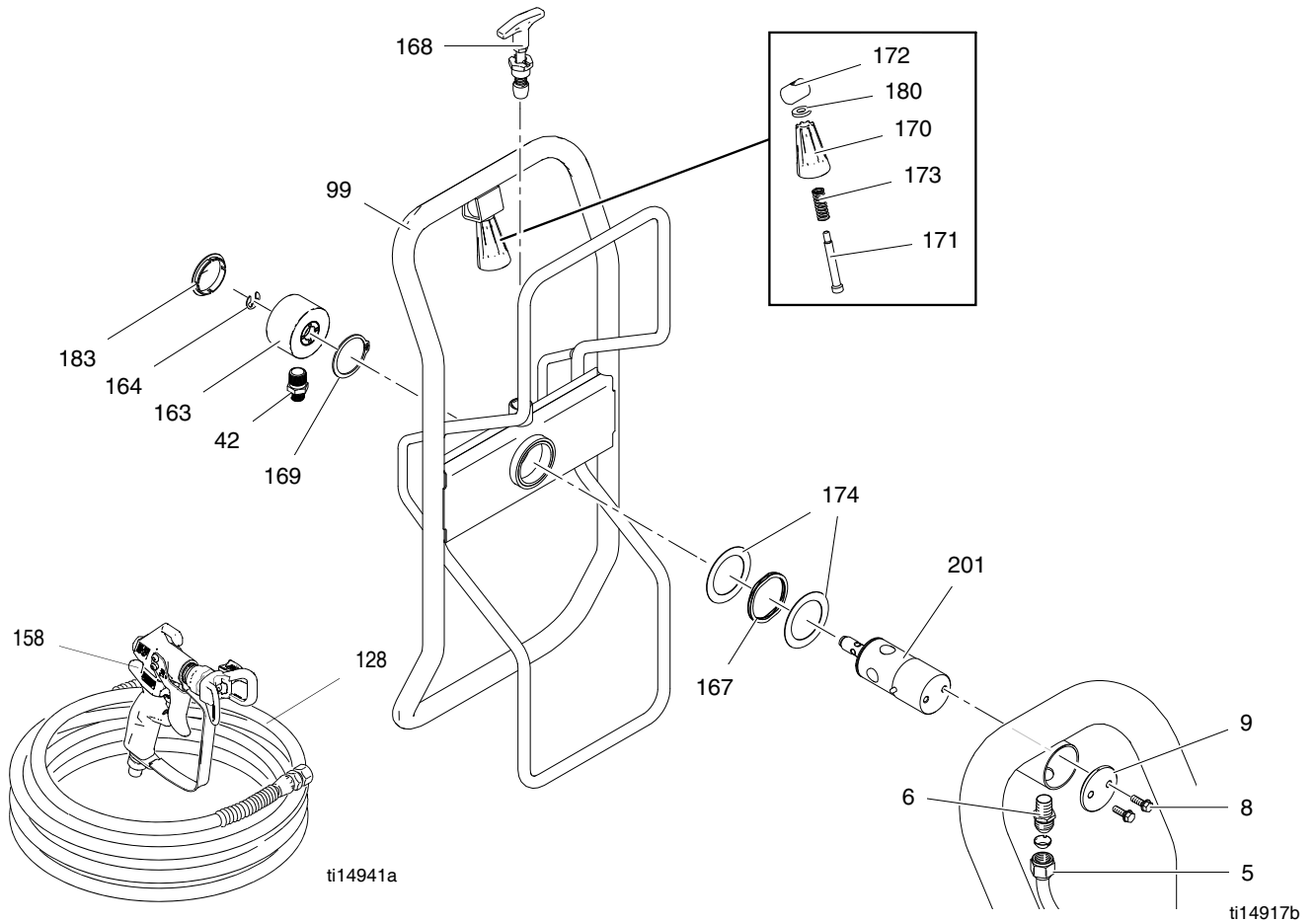
Bearing Housing



Parts List - Bearing Housing 287933

Ref.	Part	Description	Qty
24	15F116	LATCH, handle	1
31	119250	SCREW, machine, hex washer	5
56	15F498	SCREW, adjustment	1
77	278204	CLIP, spring	1
83		HOUSING, bearing	1
117	187437	LABEL, torque	1
139	15E625	PIN, housing, bearing	1
141	111040	NUT, lock, insert, nylock	2
161	15F503	SCREW, set, socket head	1
178	100985	WASHER, lock ext	1

Hose Reel and Gun



Parts List

Ref.	Part	Description	Qty	Ref.	Part	Description	Qty
5	24J080	TUBE, Formed, Ultra, Platinum 695/795 Models	1	164	122347	RING, retaining, external	1
	24J081	1095/Mark V Models		167	122534	SPRING, wave	1
6	121311	FITTING, Connector, NPT x JIC	1	168	24E400	PIN, pop, lock out	1
8	260212	SCREW, Hex Washer HD	2	169	122524	RING, retaining, external	1
9	16C975	PLATE, Pivot Mount	1	170	278085	HANDLE, swivel	1
42	164672	ADAPTER	1	171	122518	PIN	1
99	24B691	REEL, hose, ultra	1	172	15X618	NUT, pin	1
128	240794	HOSE, coupled, 1/4 x 15.75 695/795/1095/1595	1	173	122542	SPRING	1
	245225	Mark IV/Mark V	2	174	122607	WASHER, flat	2
158		GUN, spray	1	180	122669	WASHER	1
	288420	695/795/1095/1595 Models	1	183	122787	CAP	1
	241705	Mark V Models	1	201	24E016	TUBE, Hose Reel, Pivot	1
	246468	Mark IV Models	1				
163	24B248	CAP, swivel, complete	1				

Graco Standard Warranty

Graco warrants all equipment referenced in this document which is manufactured by Graco and bearing its name to be free from defects in material and workmanship on the date of sale to the original purchaser for use. With the exception of any special, extended, or limited warranty published by Graco, Graco will, for a period of twelve months from the date of sale, repair or replace any part of the equipment determined by Graco to be defective. This warranty applies only when the equipment is installed, operated and maintained in accordance with Graco's written recommendations.

This warranty does not cover, and Graco shall not be liable for general wear and tear, or any malfunction, damage or wear caused by faulty installation, misapplication, abrasion, corrosion, inadequate or improper maintenance, negligence, accident, tampering, or substitution of non-Graco component parts. Nor shall Graco be liable for malfunction, damage or wear caused by the incompatibility of Graco equipment with structures, accessories, equipment or materials not supplied by Graco, or the improper design, manufacture, installation, operation or maintenance of structures, accessories, equipment or materials not supplied by Graco.

This warranty is conditioned upon the prepaid return of the equipment claimed to be defective to an authorized Graco distributor for verification of the claimed defect. If the claimed defect is verified, Graco will repair or replace free of charge any defective parts. The equipment will be returned to the original purchaser transportation prepaid. If inspection of the equipment does not disclose any defect in material or workmanship, repairs will be made at a reasonable charge, which charges may include the costs of parts, labor, and transportation.

THIS WARRANTY IS EXCLUSIVE, AND IS IN LIEU OF ANY OTHER WARRANTIES, EXPRESS OR IMPLIED, INCLUDING BUT NOT LIMITED TO WARRANTY OF MERCHANTABILITY OR WARRANTY OF FITNESS FOR A PARTICULAR PURPOSE.

Graco's sole obligation and buyer's sole remedy for any breach of warranty shall be as set forth above. The buyer agrees that no other remedy (including, but not limited to, incidental or consequential damages for lost profits, lost sales, injury to person or property, or any other incidental or consequential loss) shall be available. Any action for breach of warranty must be brought within two (2) years of the date of sale.

GRACO MAKES NO WARRANTY, AND DISCLAIMS ALL IMPLIED WARRANTIES OF MERCHANTABILITY AND FITNESS FOR A PARTICULAR PURPOSE, IN CONNECTION WITH ACCESSORIES, EQUIPMENT, MATERIALS OR COMPONENTS SOLD BUT NOT MANUFACTURED BY GRACO. These items sold, but not manufactured by Graco (such as electric motors, switches, hose, etc.), are subject to the warranty, if any, of their manufacturer. Graco will provide purchaser with reasonable assistance in making any claim for breach of these warranties.

In no event will Graco be liable for indirect, incidental, special or consequential damages resulting from Graco supplying equipment hereunder, or the furnishing, performance, or use of any products or other goods sold hereto, whether due to a breach of contract, breach of warranty, the negligence of Graco, or otherwise.

FOR GRACO CANADA CUSTOMERS

The Parties acknowledge that they have required that the present document, as well as all documents, notices and legal proceedings entered into, given or instituted pursuant hereto or relating directly or indirectly hereto, be drawn up in English. Les parties reconnaissent avoir convenu que la rédaction du présente document sera en Anglais, ainsi que tous documents, avis et procédures judiciaires exécutés, donnés ou intentés, à la suite de ou en rapport, directement ou indirectement, avec les procédures concernées.

Graco Information

For the latest information about Graco products, visit www.graco.com.

For patent information, see www.graco.com/patents.

TO PLACE AN ORDER, contact your Graco distributor or call 1-800-690-2894 to identify the nearest distributor.

*All written and visual data contained in this document reflects the latest product information available at the time of publication.
Graco reserves the right to make changes at any time without notice.*

Original instructions. This manual contains English. MM 3A0158

Graco Headquarters: Minneapolis

International Offices: Belgium, China, Japan, Korea

GRACO INC. AND SUBSIDIARIES • P.O. BOX 1441 • MINNEAPOLIS MN 55440-1441 • USA

Copyright 2008, Graco Inc. All Graco manufacturing locations are registered to ISO 9001.

www.graco.com
Revised F August 2014