

# Parts List



## 190ES™

309064N

**-For portable spray application of architectural paint and coatings-**

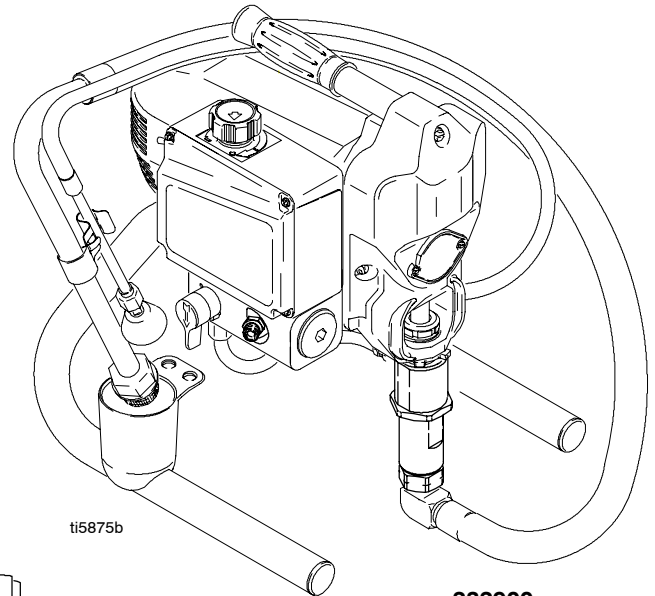
*3000 psi (20.7 MPa, 207 bar) Maximum Working Pressure*

**232900 A, B, C, D, E, F (Stand)**

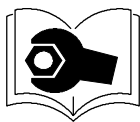
**232901 A, B, C, D, E (Stand)**

**233797 A, B, C, D, E (Hi-boy)**

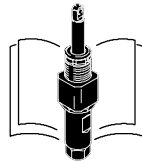
**233815 A, B, C, D, E (Hi-boy)**



Related manuals



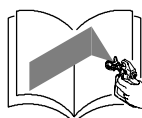
..... 309063



..... 309060



..... 309045

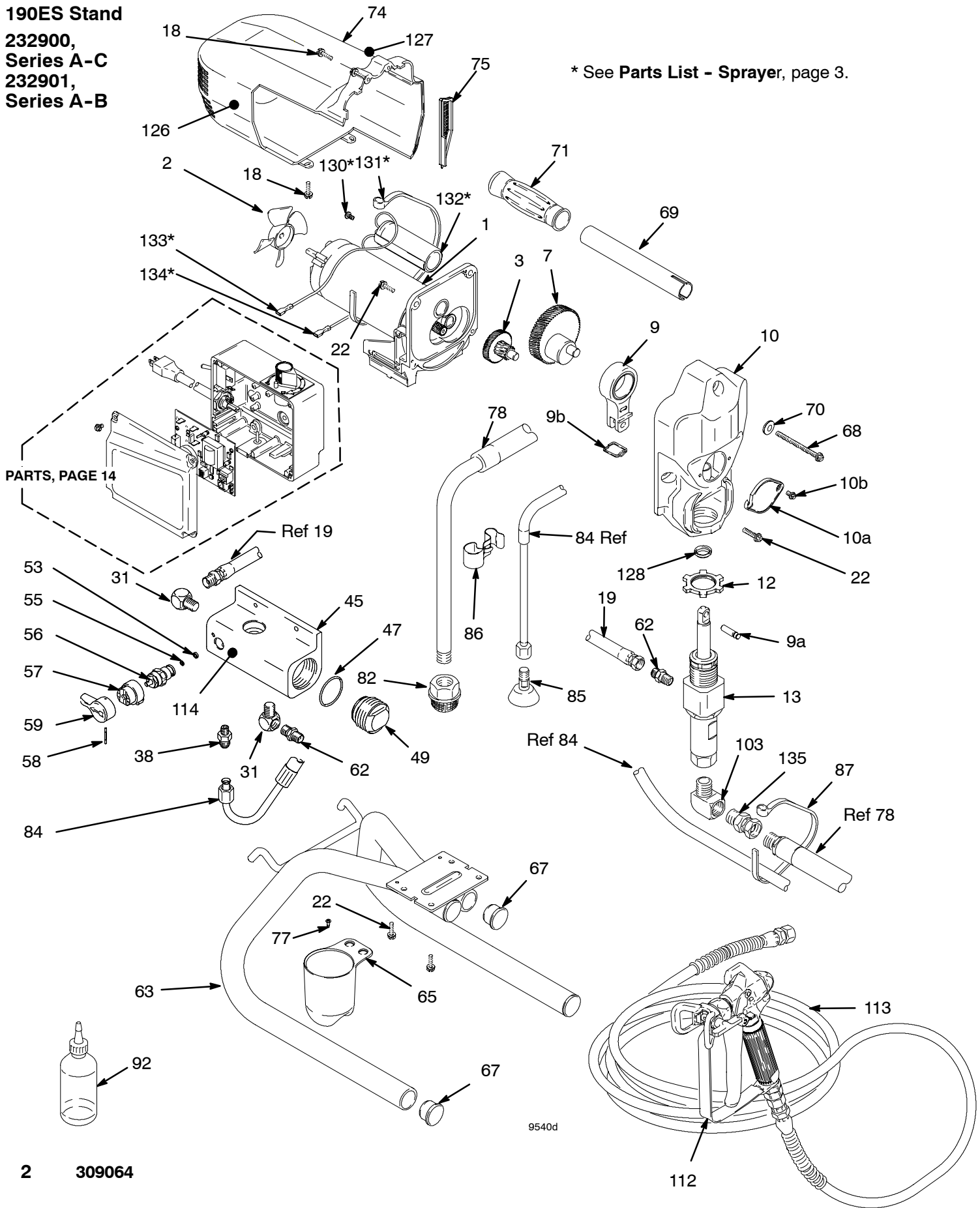


..... 309365

# Parts Drawing - Sprayer

190ES Stand  
232900,  
Series A-C  
232901,  
Series A-B

\* See Parts List - Sprayer, page 3.



# Parts List - Sprayer

## 190ES Stand

232900, Series A-C

232901, Series A-B

REF NO.	PART NO.	DESCRIPTION	QTY	REF NO.	PART NO.	DESCRIPTION	QTY
1		<b>MOTOR, 120 vac</b>		65	195177	HOLDER, suction tube	1
	242009†	<b>Sprayer Models 232900, A, B;</b>		67	107310	PLUG, tubing	4
		<b>232901, A</b>	1	68	115506	SCREW, slot hd, hex, washer hd	1
	245893‡	<b>Sprayer Models 232900, C;</b>		69	195425	HANDLE, sprayer	1
		<b>232901, B</b>	1	70	100016	WASHER, lock	1
2	115525	BLADE, fan motor	1	71	108063	GRIP, handle	1
3	243219	<b>GEAR, combination</b>	1	74	243217	SHROUD, motor	1
7	243218	<b>CRANK SHAFT</b>	1			includes 18, 126, 127	
9	243221	<b>CONNECTING ROD</b>	1	75	195503	VENT, side	1
		includes 9a and 9b		77	115509	SCREW, mach, pnhd, self-drill	1
9a	195175	PIN, pump	1	78	244354	HOSE, suction, flexible	1
9b	195512	RETAINER, pin	1	82	235004	STRAINER	1
10	243220	<b>DRIVE HOUSING</b>	1	84	244040	HOSE, drain, includes 85, 86	1
		includes 10a and 10b		85	241920	DEFLECTOR, threaded	1
10a	195099	COVER	1	86	195186	CLIP, spring	1
10b	115492	SCREW	2	87	114958	STRAP, tie	1
12	195150	NUT, jam, pump	1	92	206994	FLUID, TSL, 8 oz	1
13	243187	<b>PUMP</b>	1	103	115764	FITTING, elbow, 90°	1
		Manual 309060		112	243012	GUN, SG3 (517 RST™ tip)	1
18	115492	SCREW, mach slot hex, washer hd	4			Manual 309061	
19	241926	HOSE, coupled, high pressure	1	113	241923	HOSE, coupled, 1/4 in. x 50 ft (15 m)	1
22	115495	SCREW, slot hd, hex, washer hd	8	114	195811	LABEL, instruction	1
31	195847	ADAPTER, pipe, hex	2	126	195833▲	LABEL, WARNING	1
38	116150	FITTING, adapter	1	127	15D523▲	LABEL, DANGER	1
45	195157	HOUSING, filter	1	128	115491	WIPER, rod	1
47	104361	O-RING	1	130	115762*	SCREW	2
49	195372	CAP, filter	1	131	103546*	WRAP, tie	1
53	111699	GASKET, seat, valve	1	132	243415*	CAPACITOR	1
55	187615	VALVE, seat	1	133	195936*	WIRE, jumper, red	1
56	235014	ASSY, drain valve	1	134	195937*	WIRE, jumper, black	1
		includes 53 and 55		135	156684	UNION, adapter (swivel)	1
57	224807	ASSY, cam, drain valve	1				
58	111600	PIN, grooved	1				
59	187625	HANDLE, valve, drain	1				
62	162453	NIPPLE, 1/4 npt(m) x 1/4 npsm	2				
63	241858	FRAME, stand mount	1				

▲Extra Danger and Warning tags and labels available free.

† Motor Brush Kit 243215 is available

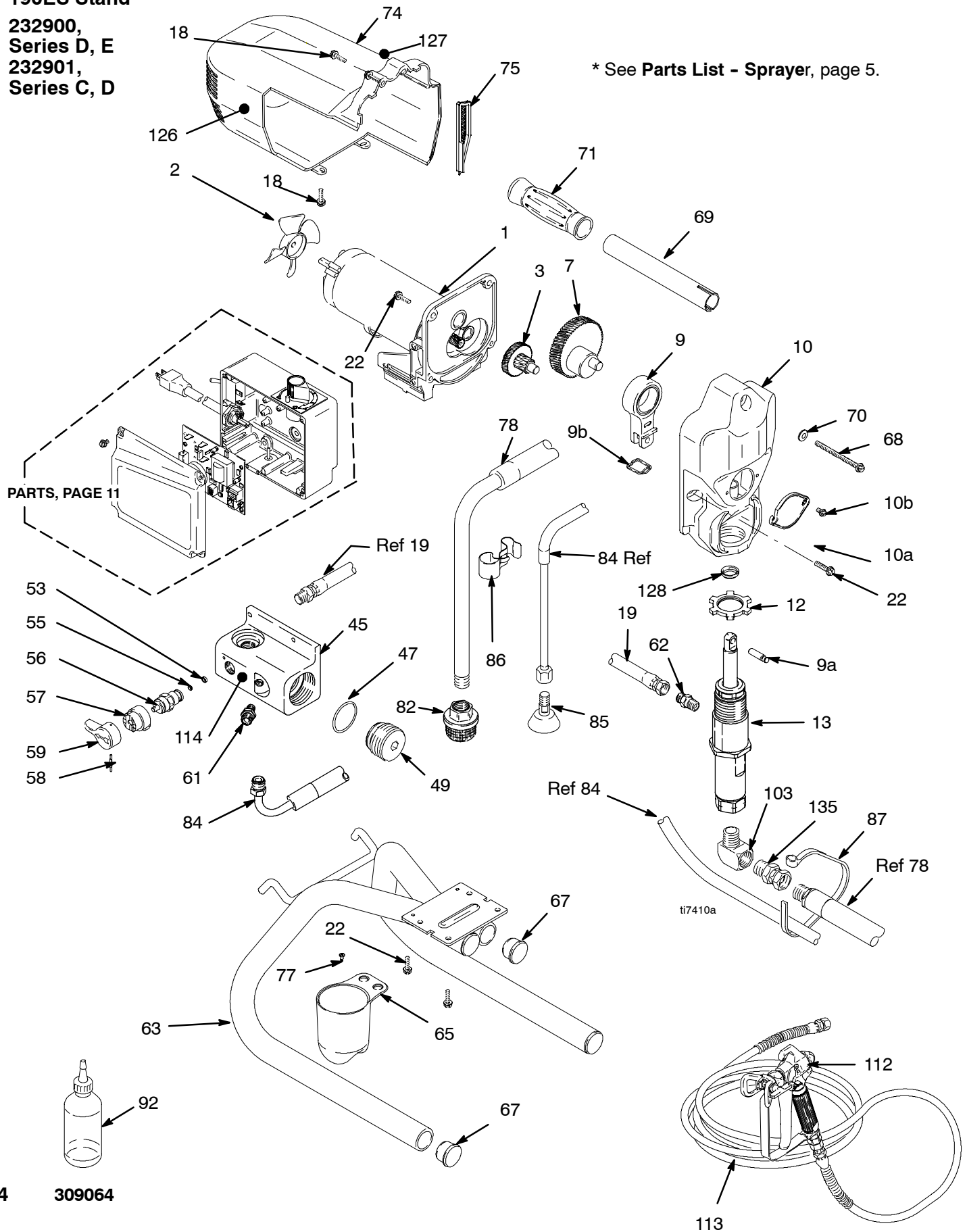
‡ Motor Brush Kit 245894 is available

\* Used on 232900, A, B; 232901, A only

# Parts Drawing - Sprayer

190ES Stand  
232900,  
Series D, E  
232901,  
Series C, D

\* See Parts List - Sprayer, page 5.



PARTS, PAGE 11

# Parts List - Sprayer

## 190ES Stand

232900, Series D, E  
232901, Series C, D

REF NO.	PART NO.	DESCRIPTION	QTY	REF NO.	PART NO.	DESCRIPTION	QTY
1		<b>MOTOR, 120 vac</b>		62	162453	NIPPLE, 1/4 npt(m) x 1/4 npsm	1
	245893‡	<b>Sprayer Models 232900, D;</b>		63	241858	FRAME, stand mount	1
		<b>232901, C</b>	1	65	195177	HOLDER, suction tube	1
	249610‡	<b>Sprayer Models 232900, E;</b>		67	107310	PLUG, tubing	4
		<b>232901, D</b>	1	68	115506	SCREW, slot hd, hex, washer hd	1
2	115525	BLADE, fan motor	1	69	195425	HANDLE, sprayer	1
3	243219	<b>GEAR, combination</b>	1	70	100016	WASHER, lock	1
7	243218	<b>CRANK SHAFT</b>	1	71	108063	GRIP, handle	1
9	243221	<b>CONNECTING ROD</b>	1	74	243217	SHROUD, motor	1
		includes 9a and 9b				includes 18, 126, 127	
9a	195175	PIN, pump	1	75	195503	VENT, side	1
9b	195512	RETAINER, pin	1	77	115509	SCREW, mach, pnhd, self-drill	1
10	243220	<b>DRIVE HOUSING</b>	1	78	244354	HOSE, suction, flexible	1
		includes 10a and 10b		82	235004	STRAINER	1
10a	195099	COVER	1	84	244240	HOSE, drain, includes 85	1
10b	115492	SCREW	2	85	241920	DEFLECTOR, threaded	1
12	195150	NUT, jam, pump	1	86	195186	CLIP, spring	1
13	243187	<b>PUMP</b>	1	87	114958	STRAP, tie	1
		Manual 309060		92	206994	FLUID, TSL, 8 oz	1
18	115492	SCREW, mach slot hex, washer hd	4	103	115764	FITTING, elbow, 90°	1
19	241926	HOSE, coupled, high pressure	1	112	243012	GUN, SG3 (517 RST™ tip)	1
22	115495	SCREW, slot hd, hex, washer hd	8			Manual 309061	
45	15E180	HOUSING, filter	1	113	241923	HOSE, coupled, 1/4 in. x 50 ft (15 m)	1
47	104361	O-RING	1	114	195811	LABEL, instruction	1
49	195372	CAP, filter	1	126	195833▲	LABEL, WARNING	1
53	111699	GASKET, seat, valve	1	127	15D523▲	LABEL, DANGER	1
55	187615	VALVE, seat	1	128	115491	WIPER, rod	1
56	235014	ASSY, drain valve	1	135	156684	UNION, adapter (swivel)	1
		includes 53 and 55					
57	224807	ASSY, cam, drain valve	1				
58	111600	PIN, grooved	1				
59	187625	HANDLE, valve, drain	1				
61	15E539	NIPPLE, 1/4 npsm x 1/8 npsm	1				

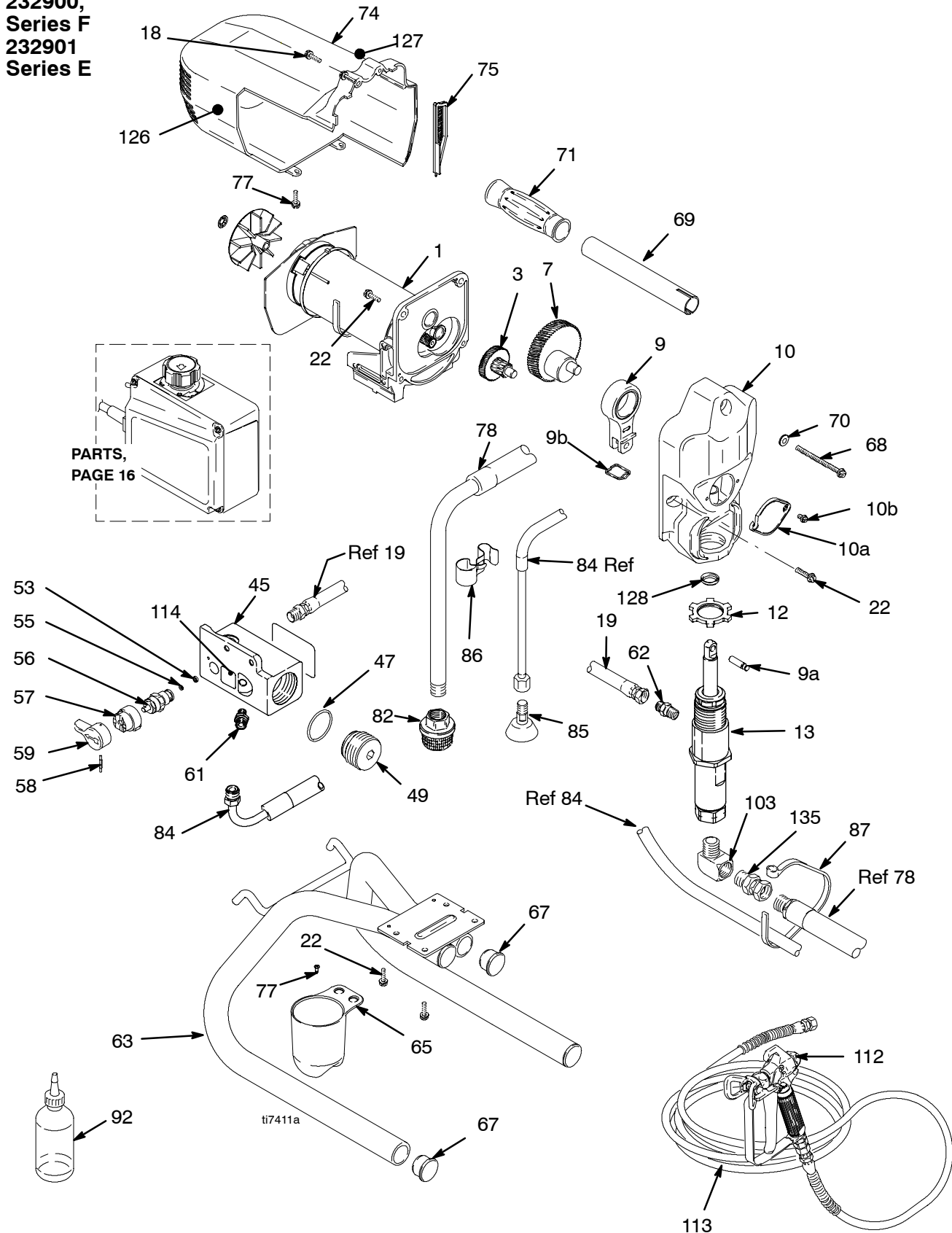
▲Extra Danger and Warning tags and labels available free.

‡ Motor Brush Kit 245894 is available

# Parts Drawing - Sprayer

190ES Stand  
232900,  
Series F  
232901  
Series E

See Parts List - Sprayer, page 7.



# Parts List - Sprayer

## 190ES Stand

233797, Series F

233815, Series E

REF NO.	PART NO.	DESCRIPTION	QTY	REF NO.	PART NO.	DESCRIPTION	QTY
1	249826‡	<b>MOTOR, 120 vac Sprayer Models 232900, F; 232901, E</b>	1	63	241858	FRAME, stand mount	1
2	249947†	KIT, repair, fan	1	65	195177	HOLDER, suction tube	1
3	243219	<b>GEAR, combination</b>	1	67	107310	PLUG, tubing	4
7	243218	<b>CRANK SHAFT</b>	1	68	115506	SCREW, slot hd, hex, washer hd	1
9	243221	<b>CONNECTING ROD</b> includes 9a and 9b	1	69	195425	HANDLE, sprayer	1
9a	195175	PIN, pump	1	70	100016	WASHER, lock	1
9b	195512	RETAINER, pin	1	71	108063	GRIP, handle	1
10	243220	<b>DRIVE HOUSING</b> includes 10a and 10b	1	74	253116	SHROUD, motor includes 18, 126, 127	1
10a	195099	COVER	1	75	15G758	VENT, side	1
10b	115492	SCREW	2	77	115723	SCREW, mach, pnhd, self-drill	3
12	195150	NUT, jam, pump	1	78	244354	HOSE, suction, flexible	1
13	243187	<b>PUMP</b> Manual 309060	1	82	235004	STRAINER	1
18	117501	SCREW, mach slot hex, washer hd	2	84	244240	HOSE, drain, includes 85	1
19	277140	HOSE, coupled, high pressure	1	85	241920	DEFLECTOR, threaded	1
22	115495	SCREW, slot hd, hex, washer hd	8	86	195186	CLIP, spring	1
45	15G326	HOUSING, filter	1	87	114958	STRAP, tie	1
47	104361	O-RING	1	92	206994	FLUID, TSL, 8 oz	1
49	195372	CAP, filter	1	103	115764	FITTING, elbow, 90°	1
53	111699	GASKET, seat, valve	1	112	243012	GUN, SG3 (517 RST™ tip) Manual 309061	1
55	15E022	VALVE, seat	1	113	241923	HOSE, coupled, 1/4 in. x 50 ft (15 m)	1
56	235014	ASSY, drain valve includes 53 and 55	1	114	195811	LABEL, instruction	1
57	224807	ASSY, cam, drain valve	1	126	195833▲	LABEL, WARNING	1
58	111600	PIN, grooved	1	127	15D523▲	LABEL, DANGER	1
59	187625	HANDLE, valve, drain	1	128	115491	WIPER, rod	1
61	15E539	NIPPLE, 1/4 npsm x 1/8 npsm	1	135	156684	UNION, adapter (swivel)	1
62	162453	NIPPLE, 1/4 npt(m) x 1/4 npsm	1				

▲ Extra Danger and Warning tags and labels available free.

‡ Motor Brush Kit 249946 is available

† New fan included in Motor Kit 249826





# Parts List - Sprayer

## 190ES Hi-boy

233797, Series A-B

233815, Series A-B

REF NO.	PART NO.	DESCRIPTION	QTY	REF NO.	PART NO.	DESCRIPTION	QTY
1		<b>MOTOR, 120 vac</b>		67	107310	PLUG, tubing	4
	242009†	<b>Sprayer Models 233797, A;</b>		68	115097	SCREW, curved head	2
		<b>233815, A</b>	1	69	241938	HANDLE, cart	1
	245893‡	<b>Sprayer Models 233797, B;</b>		70	106062	WHEEL, semi-pneumatic	2
		<b>233815, B</b>	1	71	115480	KNOB, t-handle	2
2	115525	BLADE, fan motor	1	72	105521	PLUG, tubing	4
3	243219	<b>GEAR, combination</b>	1	74	243217	SHROUD, motor,kit	1
7	243218	<b>CRANK SHAFT</b>	1			includes 18, 75, 126, 127	
9	243221	<b>CONNECTING ROD</b>	1	75	195503	VENT, side	1
		includes 9a and 9b		77	104811	CAP, hub	2
9a	195175	PIN, pump	1	78	198973	TUBE, suction	1
9b	195512	RETAINER, pin	1	80	243080	FILTER, fluid	1
10	243220	<b>DRIVE HOUSING</b>	1	81	196773	FILTER, insert	1
		includes 10a and 10b		82	183770	STRAINER, kit	1
10a	195099	COVER	1	84	244042	HOSE, drain, includes 85, 86, 38	1
10b	115492	SCREW	2	85	241920	DEFLECTOR, threaded	1
12	195150	NUT, jam, pump	1	86	195696	CLIP, spring	1
13	243187	<b>PUMP</b>	1	87	115979	PLUG	1
		Manual 309060		112	243012	GUN, SG3 (517 RST Tip manual 309061)	1
18	115492	SCREW, mach slot hex, washer hd	4	113	241923	HOSE, 1/4 in. x 50 ft (15 m)	1
19	241926	HOSE, coupled, high pressure	1	114	195811	LABEL, instruction	1
22	115495	SCREW, slot hd, hex, washer hd	8	126	195833▲	LABEL, WARNING	1
31	195847	ADAPTER, pipe, hex	2	127	15D523▲	LABEL, DANGER	1
38	116150	FITTING, adapter	1	130	115762*	SCREW	2
45	195157	HOUSING, filter	1	131	103546*	WRAP, tie	1
47	104361	O-RING	1	132	243415*	CAPACITOR	1
49	195139	CAP, filter	1	133	195936*	WIRE, jumper, red	1
53	111699	GASKET, seat, valve	1	134	195937*	WIRE, jumper, black	1
55	187615	VALVE, seat	1				
56	235014	ASSY, drain valve	1				
		includes 53 and 55					
57	224807	ASSY, cam, drain valve	1				
58	111600	PIN, grooved	1				
59	187625	HANDLE, valve, drain	1				
61	15E539	NIPPLE, 1/4 npsm x 1/8 npsm	1				
63	241934	FRAME, cart	1				
65	195497	HOOK, pail	1				
66	15B999	CLIP, retaining	2				

▲ Extra Danger and Warning tags and labels available free.

‡ Motor Brush Kit 245894 is available

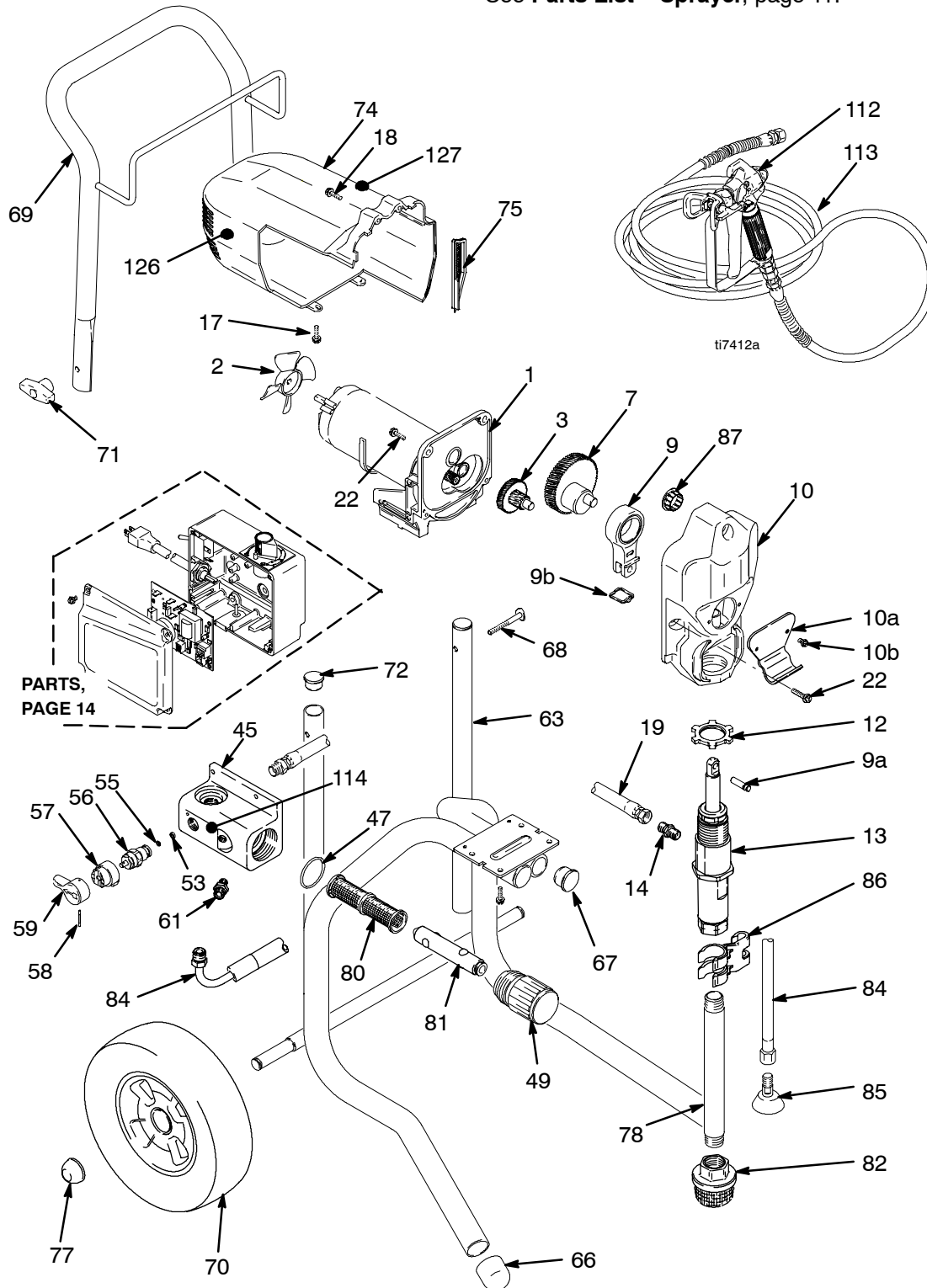
† Motor Brush Kit 243215 is available

\*Used on 233797, A; 233815, A only

# Parts Drawing - Sprayer

190ES Hi-boy  
233797,  
Series C, D  
233815  
Series C, D

See Parts List - Sprayer, page 11.



# Parts Drawing - Sprayer

## 190ES Hi-boy

233797, Series C, D

233815, Series C, D

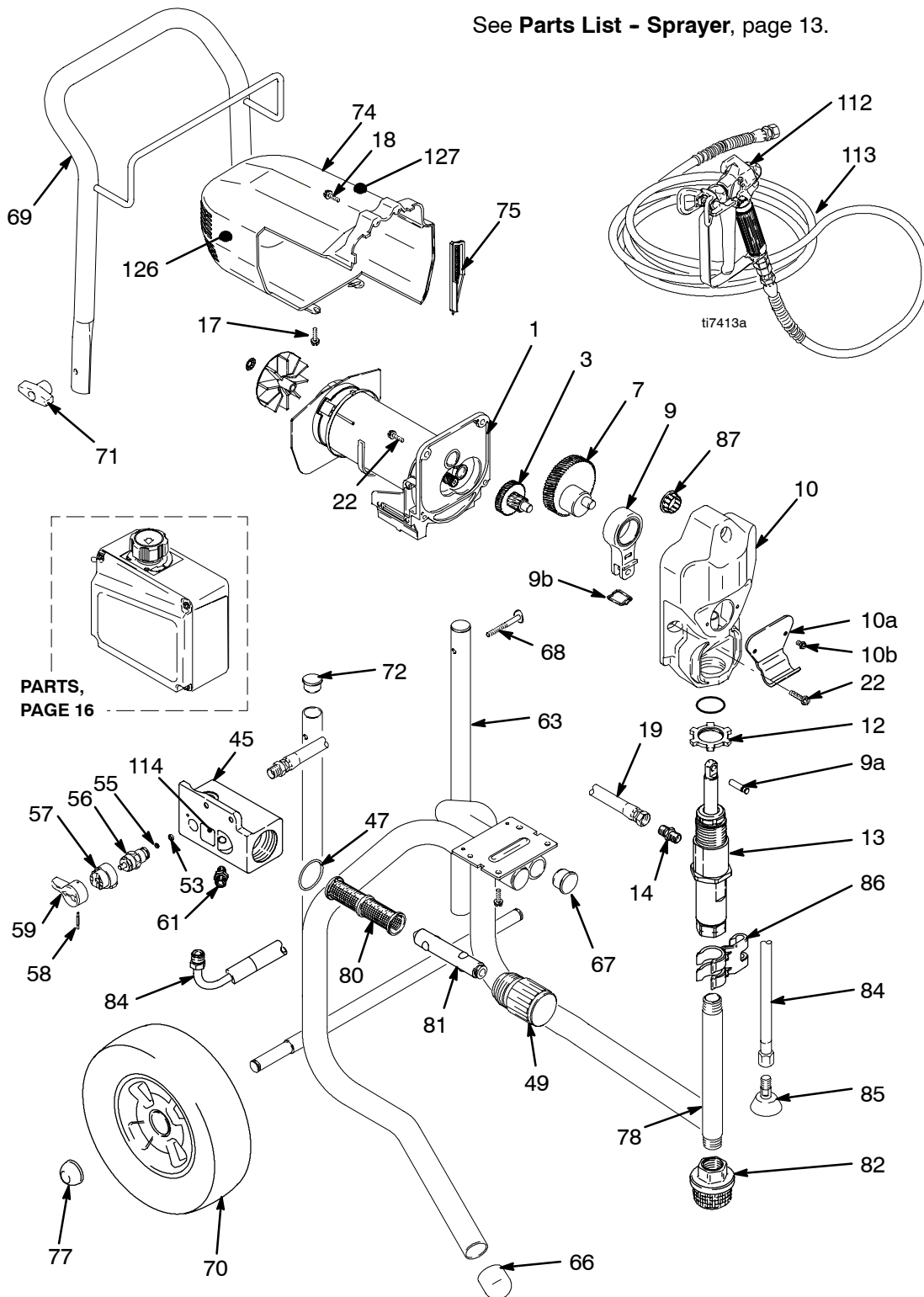
REF NO.	PART NO.	DESCRIPTION	QTY	REF NO.	PART NO.	DESCRIPTION	QTY
1		<b>MOTOR, 120 vac</b>		59	187625	HANDLE, valve, drain	1
	245893‡	<b>Sprayer Models 233797, C;</b>		61	15E539	NIPPLE, 1/4 npsm x 1/8 npsm	1
		<b>233815, C</b>	1	63	241934	FRAME, cart	1
	249610‡	<b>Sprayer Models 233797, D;</b>		66	15B197	CAP, leg	2
		<b>233815, D</b>	1	67	107310	PLUG, tubing	2
2	115525	BLADE, fan motor	1	68	115097	SCREW, curved head	2
3	243219	<b>GEAR, combination</b>	1	69	241938	HANDLE, cart	1
7	243218	<b>CRANK SHAFT</b>	1	70	119451	WHEEL, semi-pneumatic	2
9	243221	<b>CONNECTING ROD</b>	1	71	115480	KNOB, t-handle	2
		includes 9a and 9b		72	105521	PLUG, tubing	2
9a	195175	PIN, pump	1	74	243217	SHROUD, motor, kit	1
9b	195512	RETAINER, pin	1			includes 18, 75, 126, 127	
10	243220	<b>DRIVE HOUSING</b>	1	75	195503	VENT, side	1
		includes 10a and 10b		77	119452	CAP, hub	2
10a	15E286	HOOK, pail	1	78	15E290	TUBE, suction	1
10b	117501	SCREW	2	80	243080	FILTER, fluid	1
12	195150	NUT, jam, pump	1	81	15E288	FILTER, insert	1
13	243187	<b>PUMP</b>	1	82	235004	STRAINER, kit	1
		Manual 309060		84	244240	HOSE, drain, includes 85	1
14	162453	NIPPLE, 1/4 npt(m) x 1/4 npsm	1	85	241920	DEFLECTOR, threaded	1
17	115723	SCREW, mach, pnhd, self drill	2	86	276888	CLIP, spring	1
18	117501	SCREW	2	87	115979	PLUG	1
19	277140	HOSE, coupled, high pressure	1	112	243012	GUN, SG3 (517 RST Tip	1
22	115495	SCREW, slot hd, hex, washer hd	8			manual 309061)	
45	15E180	HOUSING, filter	1	113	241923	HOSE, 1/4 in. x 50 ft (15 m)	1
47	104361	O-RING	1	114	195811	LABEL, instruction	1
49	15E289	CAP, filter	1	126	195833▲	LABEL, WARNING	1
53	111699	GASKET, seat, valve	1	127	15D523▲	LABEL, DANGER	1
55	187615	VALVE, seat	1				
56	235014	ASSY, cam, drain valve	1				
58	111600	PIN, grooved	1				

▲ Extra Danger and Warning tags and labels available free.  
‡ Motor Brush Kit 245894 is available

# Parts Drawing - Sprayer

190ES Hi-boy  
233797  
Series E  
233815  
Series E

See Parts List - Sprayer, page 13.



# Parts List - Sprayer

**190ES Hi-boy**  
**233797 Series E**  
**233815 Series E**

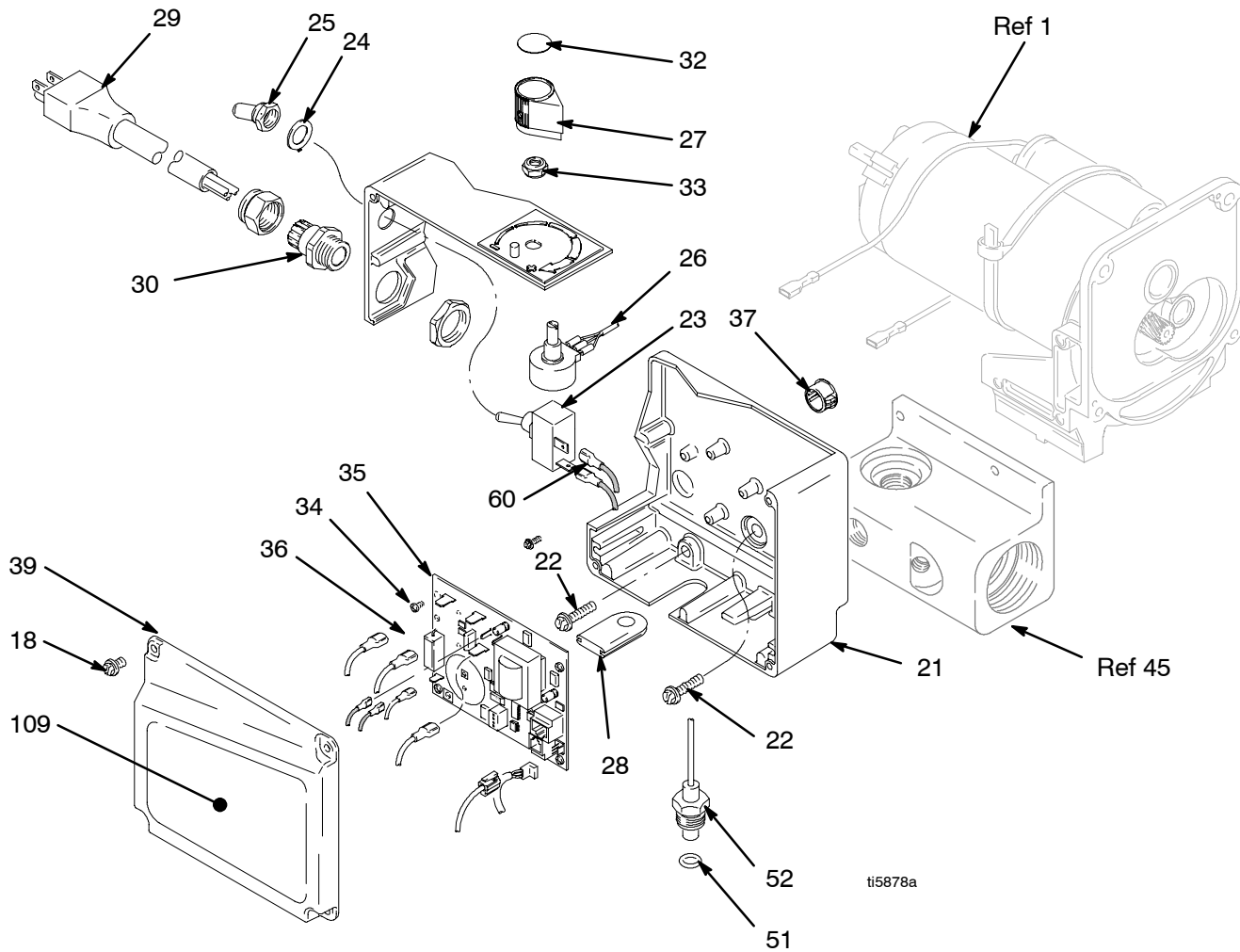
REF NO.	PART NO.	DESCRIPTION	QTY	REF NO.	PART NO.	DESCRIPTION	QTY
1	249826‡	<b>MOTOR, 120 vac</b> <b>Sprayer Models 233797, E;</b> <b>233815, E</b>	1	66	15B197	CAP, leg	2
2	249947†	BLADE, fan motor	1	67	107310	PLUG, tubing	2
3	243219	<b>GEAR, combination</b>	1	68	115097	SCREW, curved head	2
7	243218	<b>CRANK SHAFT</b>	1	69	241938	HANDLE, cart	1
9	243221	<b>CONNECTING ROD</b> includes 9a and 9b	1	70	119451	WHEEL, semi-pneumatic	2
9a	195175	PIN, pump	1	71	115480	KNOB, t-handle	2
9b	195512	RETAINER, pin	1	72	105521	PLUG, tubing	2
10	243220	<b>DRIVE HOUSING</b>	1	74	253116	SHROUD, motor,kit includes 18, 75, 126, 127	1
10a	15E286	HOOK, pail	1	75	15G758	VENT, side	1
10b	117501	SCREW	2	77	119452	CAP, hub	2
12	195150	NUT, jam, pump	1	78	15E290	TUBE, suction	1
13	243187	<b>PUMP</b> Manual 309060	1	80	243080	FILTER, fluid	1
14	162453	NIPPLE, 1/4 npt(m) x 1/4 npsm	1	81	15E288	FILTER, insert	1
17	115723	SCREW, mach, pnhd, self drill	2	82	235004	STRAINER, kit	1
18	117501	SCREW, mach slot hex, washer hd	2	84	244240	HOSE, drain, includes 85	1
19	277140	HOSE, coupled, high pressure	1	85	241920	DEFLECTOR, threaded	1
22	115495	SCREW, slot hd, hex, washer hd	8	86	276888	CLIP, spring	1
45	15G326	HOUSING, filter	1	87	115979	PLUG	1
47	104361	O-RING	1	105	115491	WIPER, rod	1
49	15E289	CAP, filter	1	112	243012	GUN, SG3 (517 RST Tip manual 309061)	1
53	111699	GASKET, seat, valve	1	113	241923	HOSE, 1/4 in. x 50 ft (15 m)	1
55	15E022	VALVE, seat	1	114	195811	LABEL, instruction	1
56	235014	ASSY, drain valve includes 53 and 55	1	126	195833▲	LABEL, WARNING	1
57	224807	ASSY, cam, drain valve	1	127	15D523▲	LABEL, DANGER	1
58	111600	PIN, grooved	1				
59	187625	HANDLE, valve, drain	1				
61	15E539	NIPPLE, 1/4 npsm x 1/8 npsm	1				
63	241934	FRAME, cart	1				

▲ Extra Danger and Warning tags and labels available free.

‡ Motor Brush Kit 249946 is available

† New fan included in motor kit 249826

# Parts List - Sprayer



## 190ES Sprayer

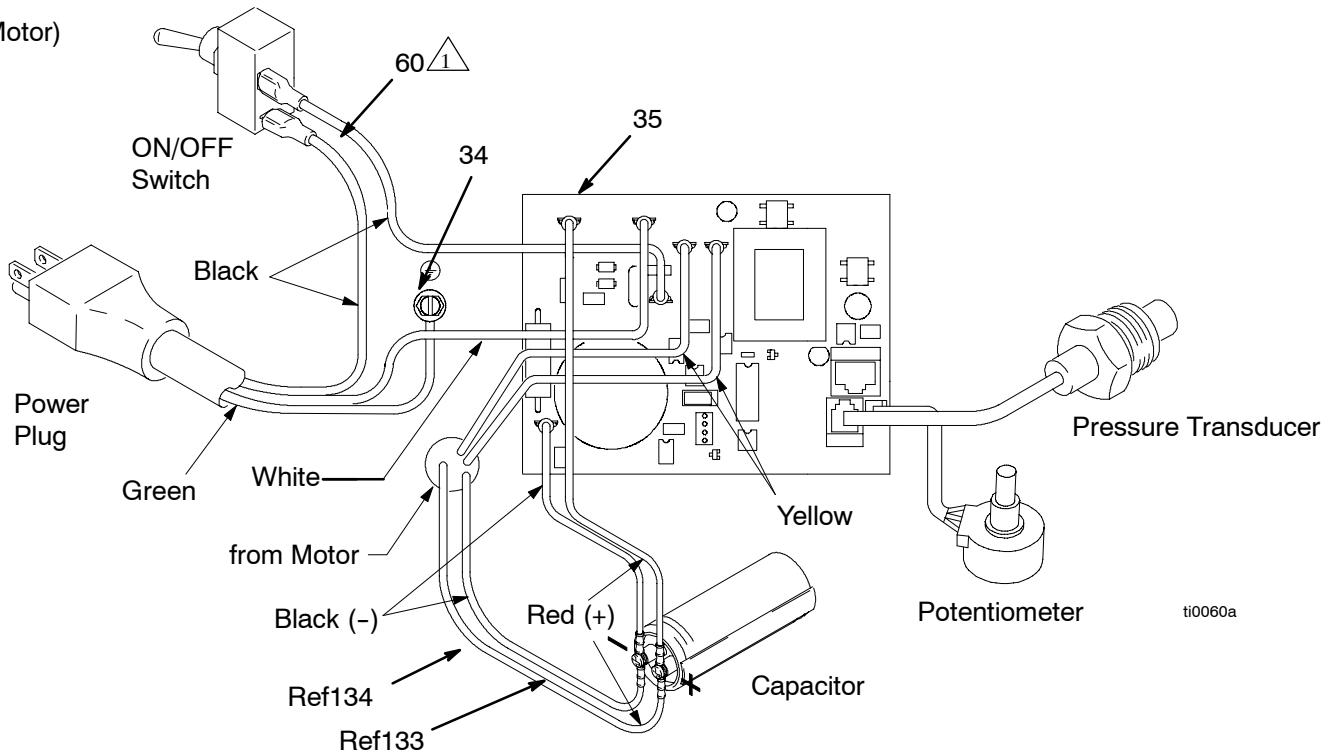
232900 A,B,C,D  
 232901 A,B,C,D  
 233797 A,B,C,D  
 233815 A,B,C,D

REF NO.	PART NO.	DESCRIPTION	QTY	REF NO.	PART NO.	DESCRIPTION	QTY
18	115492	SCREW, slot hd, hex, washer hd	4	35		BOARD, control	
21	276539	HOUSING, control	1	241989		232900, A,B; 232901, A;	1
22	115495	SCREW, slot hd, hex, washer hd	5		233797, A; 233815, A		
23	195429	SWITCH, toggle	1	245892		232900, C,D,E; 232901, B,C,D;	1
24	105658	RING, locking	1		233797, B,C,D; 233815, B,C,D		
25	195428	BOOT, toggle	1	36	115494	SCREW, 6-32 x 1/2, TAPTITE	5
26	236352	POTENTIOMETER, adjust, pressure	1	37	115756	BUSHING, strain relief	1
27	116167	KNOB, potentiometer	1	39	195147	COVER, control	1
28	195423	GROMMET, transducer	1	51	111457	O-RING	1
29	241729	CORD SET, power	1	52	243222	TRANSDUCER, pressure control	1
30	114421	BUSHING, strain relief	1			includes 51	
32	193072	LABEL, control	1	60	195866	WIRE, jumper	1
33	112382	NUT, shaft, sealing	1	109	195930	LABEL, cover	1
34	115498	SCREW, slot hd, hex, washer hd	1				

# Wiring Diagram

(Capacitor on Motor)

232900, A, B;  
232901, A;  
233797, A;  
233815, A



Used on 232900, A, B; 232901, A; 233797, A and 233815, A only

Fig. 1

(Capacitor on PC Board)

232900, C, D, E  
232901, B, C, D  
233797, B, C, D  
233815, B, C, D

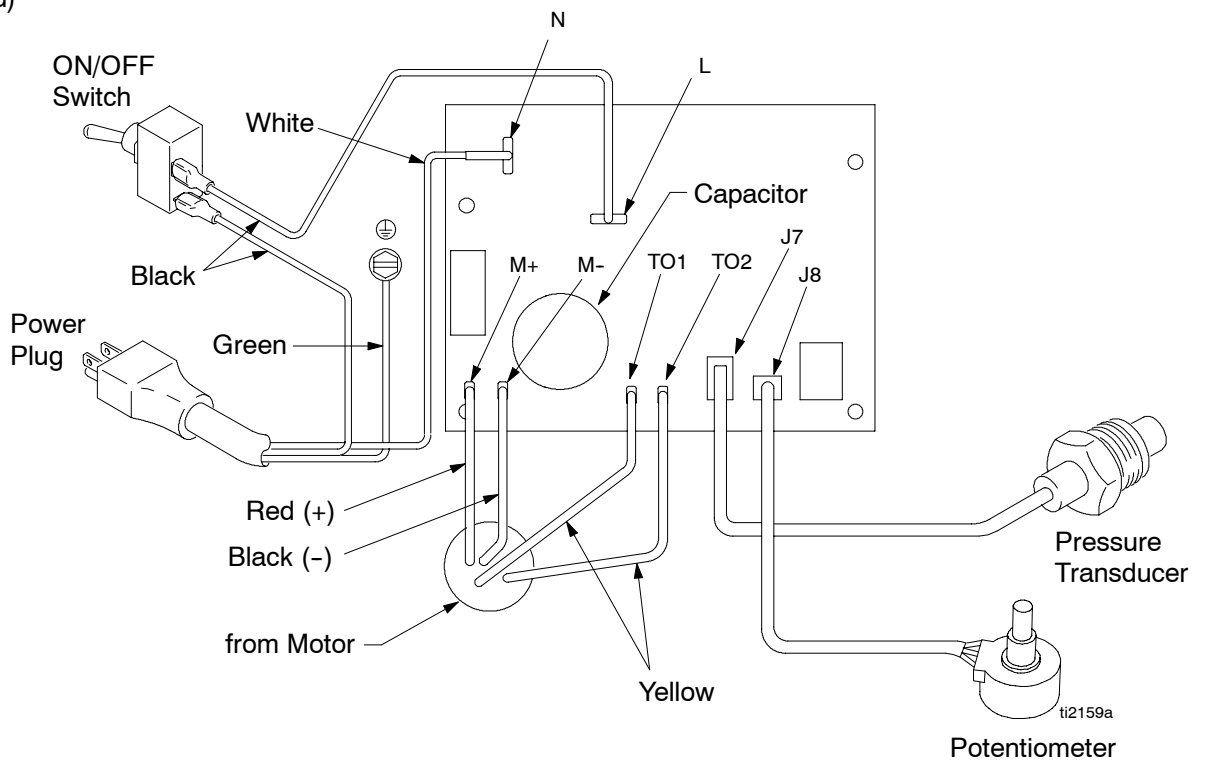
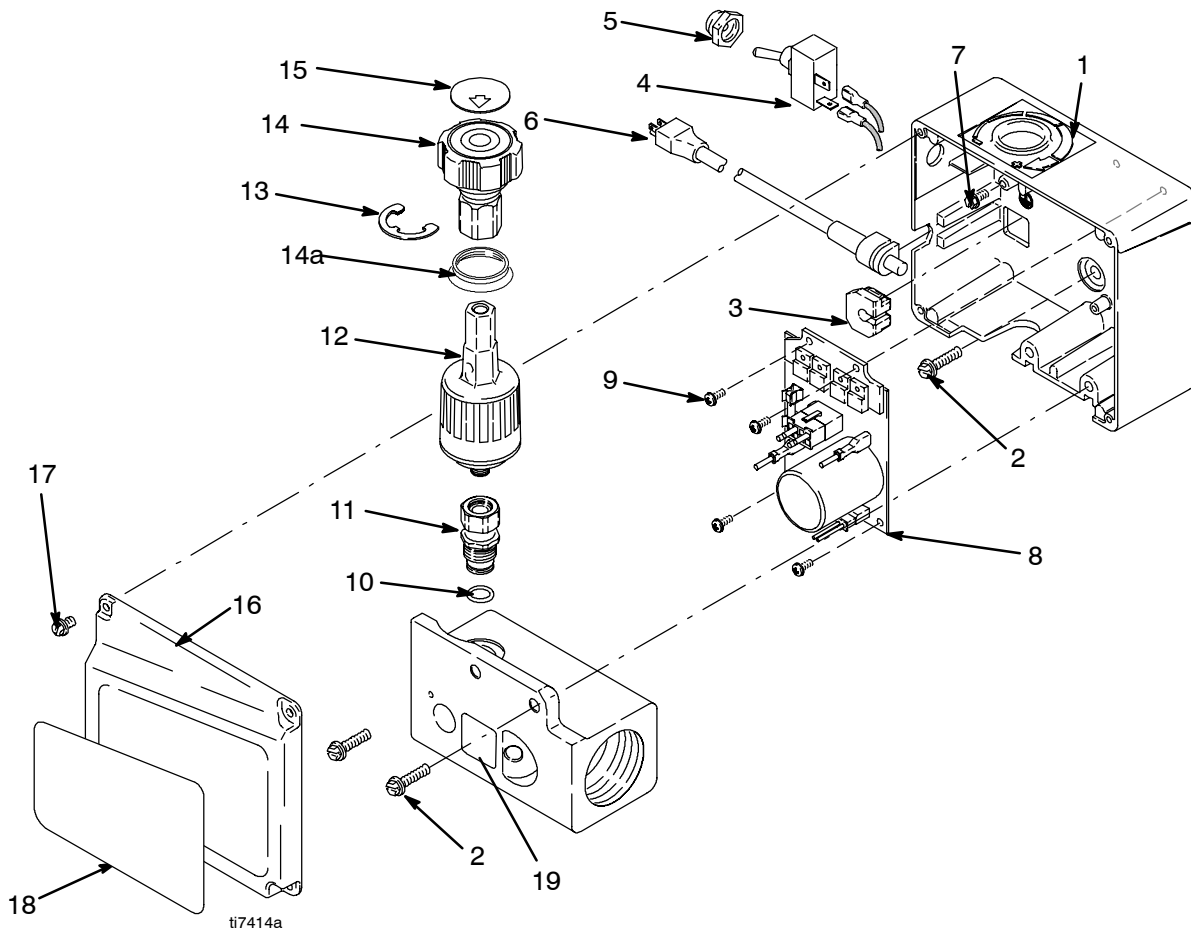


Fig. 2

# Parts List - Sprayer



## 190ES Sprayer

232900 F

232901 E

233797 E

233815 E

REF NO.	PART NO.	DESCRIPTION	QTY	REF NO.	PART NO.	DESCRIPTION	QTY
1	277210	BOX, control, 190	1	12	253117	CONTROL, pressure, 190, 120V, includes 15	1
2	115495	SCREW, mach, hex washer hd	5	13	107146	RING, retaining, ext.	1
3	15B118	BUSHING, motor wire	1	14	15G484	KNOB, control, plastic	1
4	195429	SWITCH, toggle	1	14a	15H147	BAFFLE, knob, pressure	1
5	195428	BOOT, toggle	1	15	15G475	LABEL, instructions	1
6	15G388	CORD, power	1	16	15G759	COVER, control, 190	1
7	115498	SCREW, mch, slot, hex, wash hd	1	17	115492	SCREW, mach, slot hex wash hd	4
8	253118	CONTROL, board, 190ES (LC)	1	18	195930	LABEL, identification	1
9	115494	SCREW, mach, phillips, pan hd	4	19	195811	LABEL, instruction	1
10	103338	PACKING, o-ring	1				
11	15G424	ADAPTER, extension, switch, pressure	1				



# Wiring Diagram

## 190ES Sprayer

232900, F;  
232901, E;  
233797, E;  
233815, E

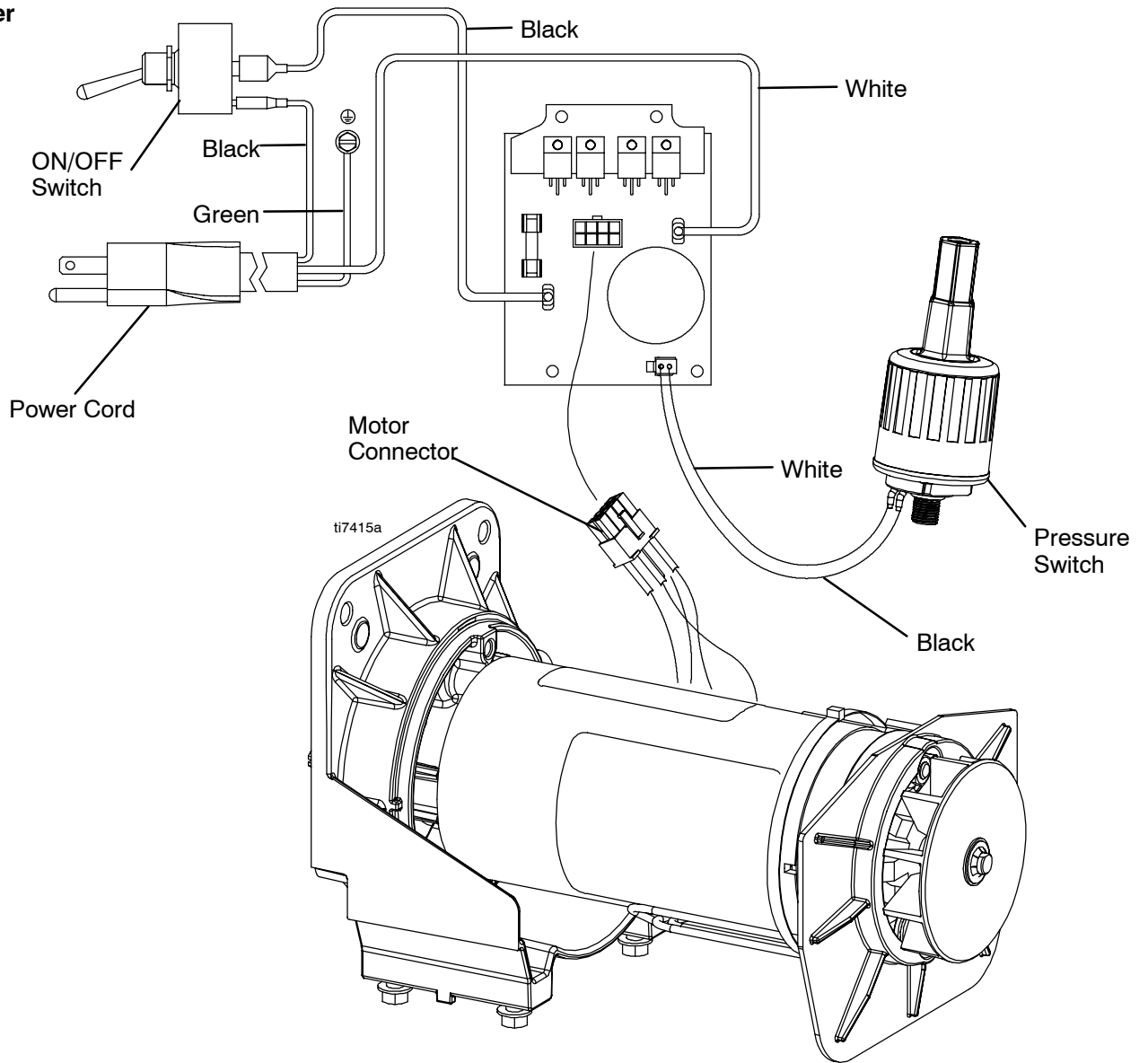


Fig. 3

***TO PLACE AN ORDER OR FOR SERVICE,***

**contact your Graco distributor, or call 1-888-541-9788 to identify the nearest distributor.**

*All written and visual data contained in this document reflects the latest product information available at the time of publication.*

*Graco reserves the right to make changes at any time without notice.*

MM 309064

**Graco Headquarters:** Minneapolis

**International Offices:** Belgium, China, Japan, Korea

**GRACO INC. P.O. BOX 1441 MINNEAPOLIS, MN 55440-1441**

**[www.graco.com](http://www.graco.com)**

PRINTED IN USA 309064

12/1999, Rev 12/2005