

Repair



# 190ES/210ES<sup>TM</sup> Electric Airless Sprayer

US Patent No. D580,518,S

311990F  
ENG

- For portable spray application of architectural paints and coatings -

**190ES Model: 261825**

**210ES Model: 261830**

Maximum Working Pressure: 3000 psi (20.7 MPa, 207 bar)



### Important Safety Instructions

Read all warnings and instructions in this manual. Save these instructions.

### Related Manuals



311988



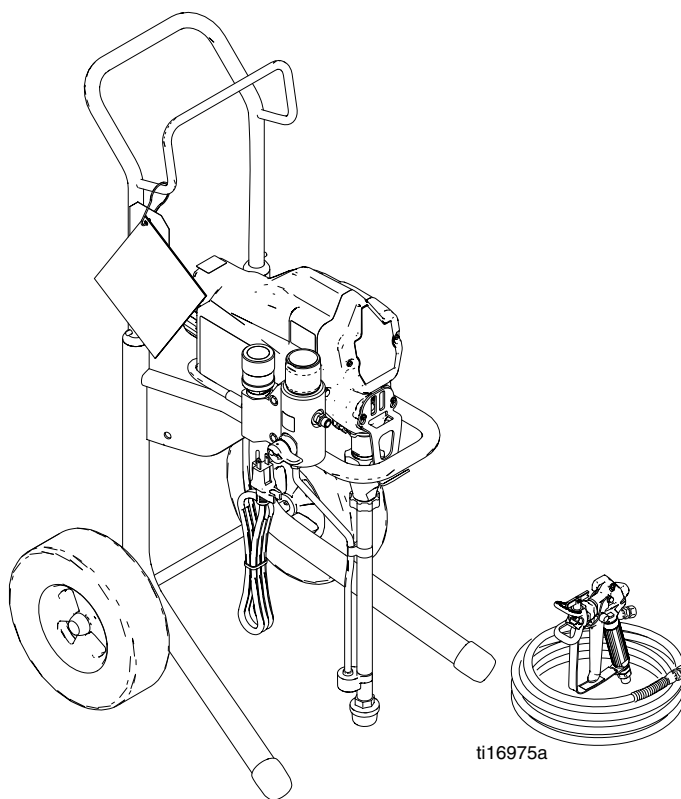
312830  
English

312831  
Français

312832  
Español



312015







ti16975a










PROVEN QUALITY. LEADING TECHNOLOGY.

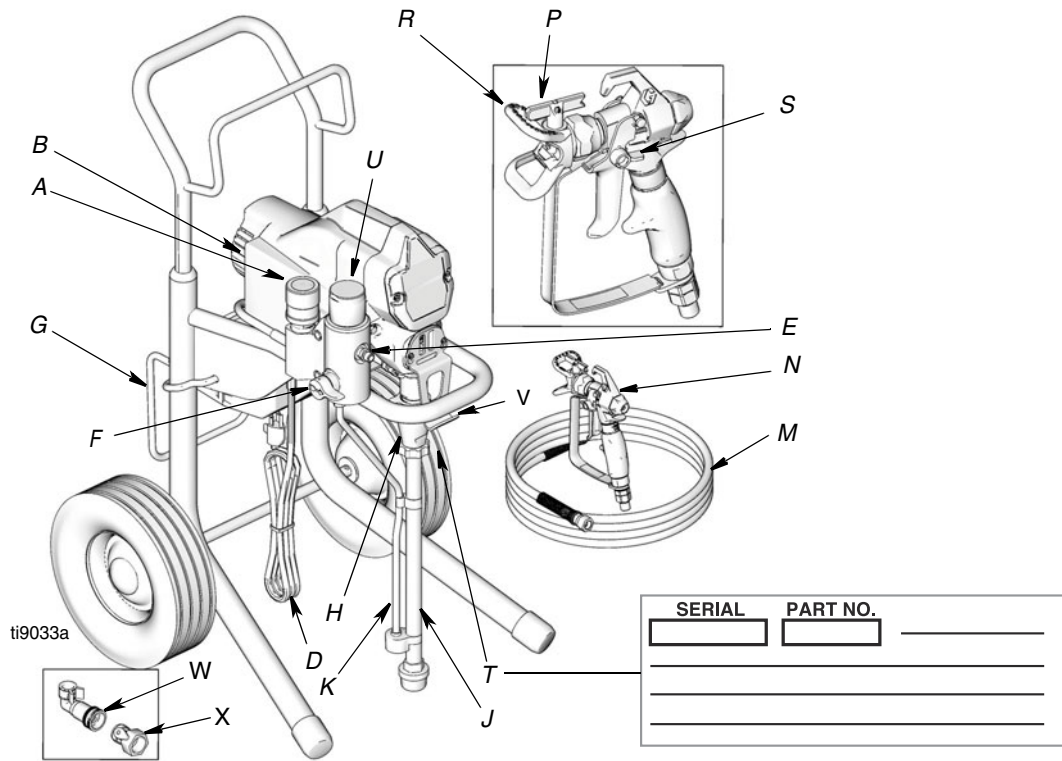
# Warning

The following warnings are for the setup, use, grounding, maintenance and repair of this equipment. The exclamation point symbol alerts you to a general warning and the hazard symbol refers to procedure-specific risks. Refer back to these warnings. Additional, product-specific warnings may be found throughout the body of this manual where applicable.

 <b>WARNING</b>	
	<p><b>FIRE AND EXPLOSION HAZARD</b></p> <p>Flammable fumes, such as solvent and paint fumes, in work area can ignite or explode. To help prevent fire and explosion:</p> <ul style="list-style-type: none"> <li>• Use equipment only in well ventilated area.</li> <li>• Eliminate all ignition sources; such as pilot lights, cigarettes, portable electric lamps, and plastic drop cloths (potential static arc).</li> <li>• Sprayer generates sparks. When flammable liquid is used in or near the sprayer or for flushing or cleaning, keep sprayer at least 20 feet (6 m) away from explosive vapors.</li> <li>• Keep work area free of debris, including solvent, rags and gasoline.</li> <li>• Do not plug or unplug power cords or turn lights on or off when flammable fumes are present.</li> <li>• Ground equipment and conductive objects in work area. Read <b>Grounding</b> instructions.</li> <li>• If there is static sparking or you feel a shock, <b>stop operation immediately</b>. Do not use equipment until you identify and correct the problem.</li> <li>• Keep a working fire extinguisher in the work area.</li> </ul>
	<p><b>ELECTRIC SHOCK HAZARD</b></p> <p>Improper grounding, setup, or usage of the system can cause electric shock.</p> <ul style="list-style-type: none"> <li>• Turn off and disconnect power cord before servicing equipment.</li> <li>• Use only grounded electrical outlets.</li> <li>• Use only 3-wire extension cords.</li> <li>• Ensure ground prongs are intact on sprayer and extension cords.</li> <li>• Do not expose to rain. Store indoors.</li> </ul>
	<p><b>SKIN INJECTION HAZARD</b></p> <p>High-pressure fluid from gun, hose leaks, or ruptured components will pierce skin. This may look like just a cut, but it is a serious injury that can result in amputation. <b>Get immediate surgical treatment.</b></p> <ul style="list-style-type: none"> <li>• Do not point gun at anyone or at any part of the body.</li> <li>• Do not put your hand over the spray tip.</li> <li>• Do not stop or deflect leaks with your hand, body, glove, or rag.</li> <li>• Engage trigger lock when not spraying.</li> <li>• Follow <b>Pressure Relief Procedure</b> in this manual, when you stop spraying and before cleaning, checking, or servicing equipment.</li> </ul>

	<b>WARNING</b>
	<p><b>EQUIPMENT MISUSE HAZARD</b></p> <p>Misuse can cause death or serious injury.</p> <ul style="list-style-type: none"> <li>• Do not exceed the maximum working pressure or temperature rating of the lowest rated system component. Read <b>Technical Data</b> in all equipment manuals.</li> <li>• Use fluids and solvents that are compatible with equipment wetted parts. Read <b>Technical Data</b> in all equipment manuals. Read fluid and solvent manufacturer's warnings. For complete information about your material, request MSDS from distributor or retailer.</li> <li>• Check equipment daily. Repair or replace worn or damaged parts immediately with genuine Graco replacement parts only.</li> <li>• Do not alter or modify equipment.</li> <li>• Use equipment only for its intended purpose. Call your Graco distributor for information.</li> <li>• Route hoses and cables away from traffic areas, sharp edges, moving parts, and hot surfaces.</li> <li>• Do not kink or overbend hoses or use hoses to pull equipment.</li> <li>• Comply with all applicable safety regulations.</li> <li>• Keep children and animals away from work area.</li> <li>• Do not operate the equipment when fatigued or under the influence of drugs or alcohol.</li> </ul>
	<p><b>PRESSURIZED ALUMINUM PARTS HAZARD</b></p> <p>Do not use 1, 1, 1-trichloroethane, methylene chloride, other halogenated hydrocarbon solvents or fluids containing such solvents in pressurized aluminum equipment. Such use can cause serious chemical reaction and equipment rupture, and result in death, serious injury, and property damage.</p>
	<p><b>BURN HAZARD</b></p> <p>Equipment surfaces can become very hot during operation. To avoid severe burns, do not touch hot equipment. Wait until equipment has cooled completely.</p>
	<p><b>MOVING PARTS HAZARD</b></p> <p>Moving parts can pinch or amputate fingers and other body parts.</p> <ul style="list-style-type: none"> <li>• Keep clear of moving parts.</li> <li>• Do not operate equipment with protective guards or covers removed.</li> <li>• Pressurized equipment can start without warning. Before checking, moving, or servicing equipment, follow the <b>Pressure Relief Procedure</b> in this manual. Disconnect power or air supply.</li> </ul>
	<p><b>TOXIC FLUID OR FUMES HAZARD</b></p> <p>Toxic fluids or fumes can cause serious injury or death if splashed in the eyes or on skin, inhaled, or swallowed.</p> <ul style="list-style-type: none"> <li>• Read MSDS's to know the specific hazards of the fluids you are using.</li> <li>• Store hazardous fluid in approved containers, and dispose of it according to applicable guidelines.</li> </ul>
	<p><b>PERSONAL PROTECTIVE EQUIPMENT</b></p> <p>You must wear appropriate protective equipment when operating, servicing, or when in the operating area of the equipment to help protect you from serious injury, including eye injury, inhalation of toxic fumes, burns, and hearing loss. This equipment includes but is not limited to:</p> <ul style="list-style-type: none"> <li>• Protective eye wear</li> <li>• Clothing and respirator as recommended by the fluid and solvent manufacturer</li> <li>• Gloves</li> <li>• Hearing protection</li> </ul>

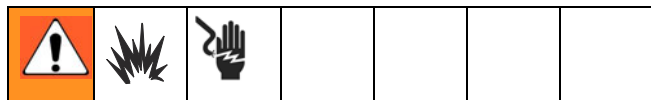
# Component Identification



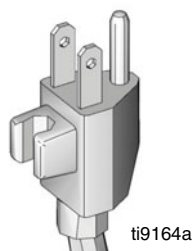
Ref	Component
A	Pressure Control
B	ON/OFF Switch
D	Power Cord
E	Fluid Outlet
F	Prime Valve
G	Kick Stand (210Es Series A)
H	Pump
J	Suction Tube
K	Drain Hose
M	Fluid Hose
N	Gun
P	Tip
R	Guard
S	Trigger Safety Lock
T	Serial Number ID Label
U	Filter Cap
V	Pail Hook
W	Power Flush Adapter
X	Shutoff Valve

# Installation

## Grounding and Electric Requirements



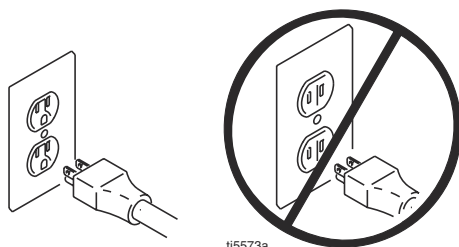
The sprayer cord includes a grounding wire with an appropriate grounding contact.



ti9164a

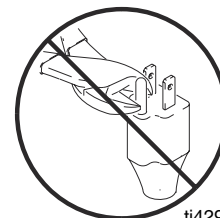
**The sprayer requires:**  
100-130 Vac, 60 Hz, 11A, 1 phase, circuit with a grounding receptacle.

**Never use an outlet that is not grounded or an adapter.**



ti5573a


Do not use the sprayer if the electrical cord has a damaged ground contact. Only use an extension cord with an undamaged ground contact.



ti4297

**Recommended extension cords:**

110-120V: 3-wire, 12 AWG (2.5 mm<sup>2</sup>) minimum, 300 ft (90 m) maximum length.

 Smaller gauge or longer extension cords may reduce sprayer performance.

**Spray gun:** ground through connection to a properly grounded fluid hose and pump.

**Fluid supply container:** follow local code.

**Solvent and Oil-based fluids:** follow local code. Use only conductive metal pails placed on a grounded surface such as concrete. Do not place the pail on a non-conductive surface such as paper or cardboard, which interrupts grounding continuity.

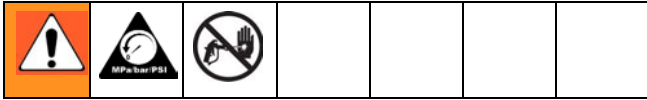
**Grounding the metal pail:** connect a ground wire to the pail by clamping one end to pail and other end to ground such as a water pipe.

**To maintain grounding continuity when flushing or relieving pressure:** hold metal part of the spray gun firmly to the side of a grounded metal pail, then trigger the gun.



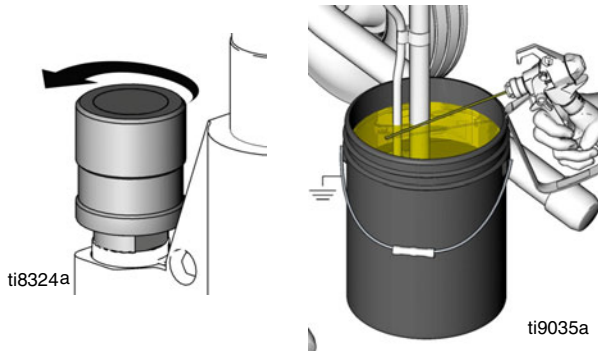
ti9146a

# Pressure Relief Procedure

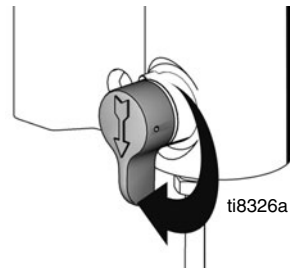


Follow this **Pressure Relief Procedure** whenever you are instructed to relieve pressure, stop spraying, check or service equipment or install or clean spray tip.

1. Turn OFF power and turn pressure control to lowest pressure setting.
2. Hold gun against side of grounded metal flushing pail. Trigger gun to relieve pressure.



3. Turn prime valve down.



*If you suspect the spray tip or hose is clogged or that pressure has not been fully relieved after following the steps above, VERY SLOWLY loosen tip guard retaining nut or hose end coupling to relieve pressure gradually, then loosen completely. Clear hose or tip obstruction.*

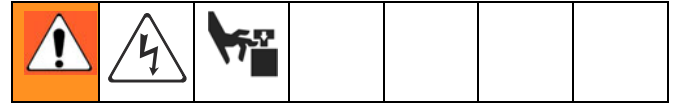
4. Engage trigger safety lock on gun if unit is being shut down or left unattended.

# General Repair Information



Flammable materials spilled on hot, bare, motor could cause fire or explosion. To reduce risk of burns, fire or explosion, do not operate sprayer with cover removed.

- Keep all screws, nuts, washers, gaskets, and electrical fittings removed during repair procedures. These parts usually are not provided with replacement kits.
- Test repairs after problems are corrected.
- If sprayer does not operate properly, review repair procedure to verify you did it correctly. See **Troubleshooting**, page 8.
- Overspray may build up in the air passages. Remove any overspray and residue from air passages and openings in the enclosures whenever you service sprayer.
- Do not operate the sprayer without the motor shroud in place. Replace if damaged. Motor shroud directs cooling air around motor to prevent overheating and insulates the control board from accidental electric shock.



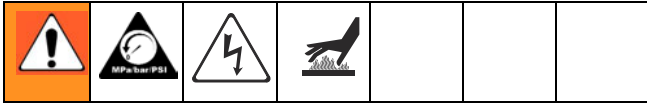
To reduce risk of serious injury, including electric shock:

- Do not touch moving or electric parts with fingers or tools while testing repair.
- Unplug sprayer when power is not required for testing.
- Install all covers, gaskets, screws and washers before you operate sprayer.

## CAUTION

- Do not run sprayer dry for more than 30 seconds. Doing so could damage pump packings.
- Protect the internal drive parts of this sprayer from water. Openings in the cover allow for air cooling of the mechanical parts and electronics inside. If water gets in these openings, the sprayer could malfunction or be permanently damaged.
- Prevent pump corrosion and damage from freezing. Never leave water or water-base paint in sprayer when its not in use in cold weather. Freezing fluids can seriously damage sprayer. Store sprayer with Pump Armor to protect sprayer during storage.

# Troubleshooting



Problem	What To Check <i>(If check is OK, go to next check)</i>	What To Do <i>(When check is not OK, refer to this column)</i>
<b>Motor Won't Operate</b>		
Basic Fluid Pressure	1. Pressure control knob setting. Motor will not run if set at minimum (fully counter-clockwise).	Slowly increase pressure setting to see if motor starts.
	2. Spray tip or fluid filter may be clogged.	<b>Relieve pressure</b> , page 6. Then clear clog or clean gun filter. Refer to gun instruction manual, 311979.
Basic Mechanical	1. Pump frozen or hardened paint	Thaw sprayer if water or water-based paint has frozen in sprayer. Place sprayer in warm area to thaw. Do not start sprayer until thawed completely. If paint hardened (dried) in sprayer, replace pump packings. See page 12, <b>Displacement Pump Replacement</b> .
	2. Displacement pump connecting rod pin. Pin must be completely pushed into connecting rod and retaining spring must be firmly in groove or pump pin.	Push pin into place and secure with spring retainer. See page 12, <b>Displacement Pump Replacement</b> .
	3. Motor. Remove drive housing assembly. See page 14, <b>Drive Housing Replacement</b> . Try to rotate fan by hand.	Replace motor if fan won't turn. See page 26, <b>Motor Replacement</b> .



<p><b>Problem</b></p>	<p><b>What To Check</b> <i>(If check is OK, go to next check)</i></p>	<p><b>What To Do</b> <i>(When check is not OK, refer to this column)</i></p>
<p>Basic Electrical <i>See wiring diagram, page 27</i></p>	<p>1. Electric supply. ON/OFF switch in OFF position. Meter must read 100-130 Vac.</p>	<p>Turn ON/OFF switch to ON position. Reset building circuit breaker, replace building fuses. Try another outlet.</p>
	<p>2. Extension cord. Check extension cord continuity with volt meter.</p>	<p>Replace extension cord.</p>
	<p>3. Sprayer power supply cord. Inspect for damage such as broken insulation or wires.</p>	<p>Replace power supply cord. See page 25, <b>Power Cord Replacement.</b></p>
	<p>4. Fuse. Check replaceable fuse on control board (next to ON/OFF switch).</p>	<p>Replace fuse after completing motor inspection. See page 20, <b>Fuse Replacement.</b></p>
	<p>5. Motor leads are securely fastened and properly connected to control board.</p>	<p>Replace loose terminals; crimp to leads. Be sure terminals are firmly connected.  Clean circuit board terminals. Securely reconnect leads.</p>
	<p>6. Motor thermal switch. Yellow motor leads must have continuity through thermal switch.</p>	<p>Replace motor. See page 26, <b>Motor Replacement.</b></p>
	<p>7. Brush cap missing or loose brush lead connections.</p>	<p>Install brush cap or replace brushes if leads are damaged. See page 17, <b>Motor Brush Replacement.</b></p>
	<p>8. Brush length which must be greater than 1/4 in. (6mm).  NOTE: Brushes do not wear at the same rate on both sides of motor. Check both brushes.</p>	<p>Replace brushes. See page 17, <b>Motor Brush Replacement.</b></p>
	<p>9. Motor armature commutator for burn spots, gouges and extreme roughness.</p>	<p>Remove motor and have motor shop resurface commutator if possible. See page 26, <b>Motor Replacement.</b></p>
	<p>10. Motor armature for shorts using armature tester (growler) or perform spin test, page 15.</p>	<p>Replace motor. See page 26, <b>Motor Replacement.</b></p>
	<p>11. Pressure control not plugged in to control board.</p>	<p>Insert pressure control connector into control board.</p>

<b>Problem</b>	<b>What To Check</b> <i>(If check is OK, go to next check)</i>	<b>What To Do</b> <i>(When check is not OK, refer to this column)</i>
Low Output	1. Worn spray tip.	<b>Relieve pressure</b> , page 6. Replace tip. Refer to gun instruction manual, 311979.
	2. Verify pump does not continue to stroke when gun trigger is released.	Service pump. See page 12, <b>Displacement Pump Replacement</b> .
	3. Prime valve leaking.	<b>Relieve pressure</b> , page 6. Then repair prime valve. See page 23, <b>Manifold Replacement</b> .
	4. Suction tube connections.	Tighten any loose connections. Check o-ring on suction tube.
	5. Electric supply with volt meter. Meter must read 100-130 Vac. Low voltages reduce sprayer performance.	Reset building circuit breaker; replace building fuse. Repair electrical outlet or try another outlet.
	6. Extension cord size and length.	Replace with a correct, grounded extension cord. See page 5, <b>Grounding and Electric Requirements</b> .
	7. Leads from motor to circuit board for damaged or loose wire connectors. Inspect wiring insulation and terminals for signs of overheating.	Be sure male terminal pins are centered and firmly connected to female terminals. Replace any loose terminals or damaged wiring. Securely reconnect terminals.
	8. Worn motor brushes which must be greater than 1/4 in. (6 mm).	Replace brushes. See page 17. <b>Motor Brush Replacement</b> .
	9. Motor brushes binding in brush holders.	Clean brush holders. Remove carbon dust by using compressed air to blow out brush dust.
	10. Low stall pressure. Turn pressure control knob fully clockwise.	Replace pressure control assembly. See page 21, <b>Pressure Control Assembly Replacement</b> .
	11. Motor armature for shorts by using an armature tester (growler) or perform spin test, page 15.	Replace motor. See page 26, <b>Motor Replacement</b> .

<b>Problem</b>	<b>What To Check</b> <i>(If check is OK, go to next check)</i>	<b>What To Do</b> <i>(When check is not OK, refer to this column)</i>
Motor runs and pump strokes	1. Prime Valve Open.	Close prime valve.
	2. Paint supply.	Refill and reprime pump.
	3. Intake strainer clogged.	Remove and clean, then reinstall.
	4. Suction tube leaking air.	Tighten nut. Check o-ring on tube.
	5. Intake valve ball and piston ball are seating properly.	See Pump Manual 312015. Strain paint before using to remove particles that could clog pump.
	6. Leaking around throat packing nut which may indicate worn or damaged packings.	See Pump Manual 312015.
	7. Pump rod damaged.	See Pump Manual 312015.
Motor runs but pump does not stroke	1. Displacement pump pin damaged or missing.	Replace pump pin if missing. Be sure retaining spring is fully in groove all around connecting rod. See page 12, <b>Displacement Pump Replacement</b> .
	2. Connecting rod assembly for damage.	Replace connecting rod assembly. See page 12, <b>Displacement Pump Replacement</b> .
	3. Gears or drive housing.	Inspect drive housing assembly and gears for damage and replace if necessary. See page 14, <b>Drive Housing Replacement</b> .
Motor is hot and runs intermittently	1. Be sure ambient temperature where sprayer is located is not more than 115°F (46°C) and sprayer is not located in direct sun.	Move sprayer to shaded, cooler area if possible.
	2. Motor has burned windings indicated by removing positive (red) brush and seeing burned adjacent commutator bars.	Replace motor. See page 26, <b>Motor Replacement</b> .
	3. Tightness of pump packing nut. Overtightening tightens packings on rod, restricts pump action and damages packings.	Loosen packing nut. Check for leaking around throat. Replace pump packings if necessary. See pump manual 312015.

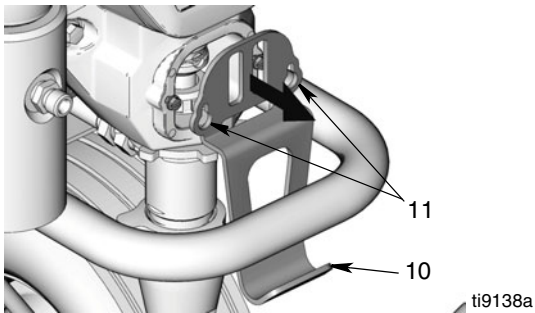
# Displacement Pump Replacement

See manual 312015 for pump repair instructions.

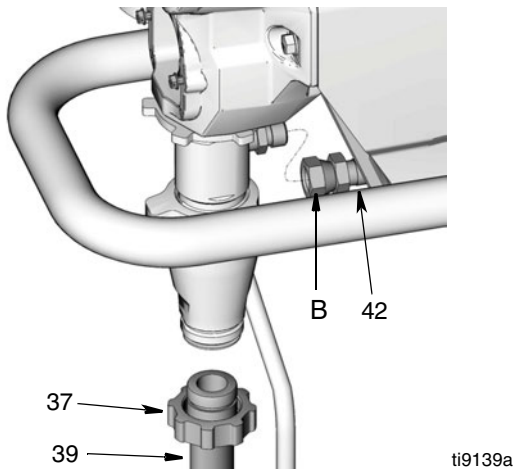
## Removal



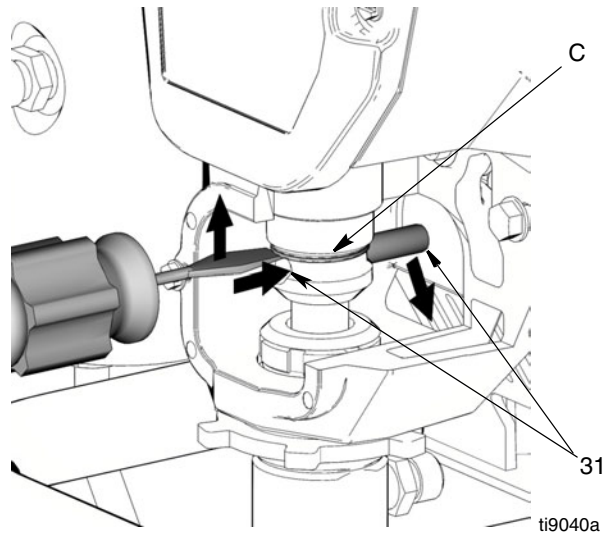
1. **Relieve pressure**, page 6. Unplug sprayer from outlet.
2. Loosen two screws (11) and remove pail hanger (10).



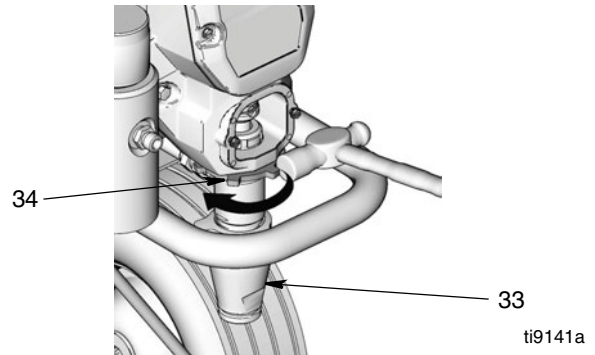
3. Loosen nut (37) and remove suction tube (39). Loosen nut (B) and remove coupled hose (42).





4. Cycle pump until pin (31) is in position to be removed.
5. Disconnect power cord from outlet.
6. Push up retaining spring (C). Push out pump pin (31).



7. Loosen pump jam nut (34). Unscrew and remove pump (33).

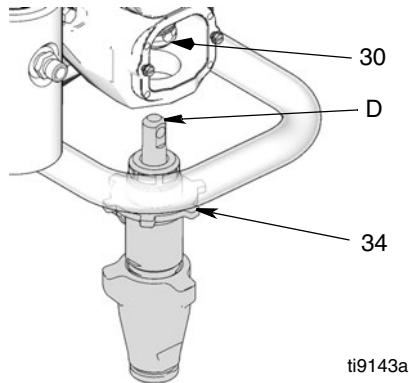


## Installation

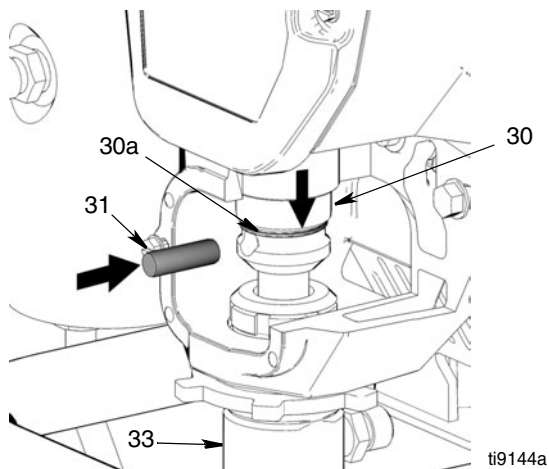
							
<p>If pump pin works loose, parts could break off due to force of pumping action. Parts could project through air and result in serious injury or property damage.</p>							

<b>CAUTION</b>
<p>If the pump jam nut loosens during operation, the threads of the drive housing will be damaged.</p>

1. Extend pump piston rod fully. Apply grease to top of pump rod (D). Install jam nut (34) on pump threads.

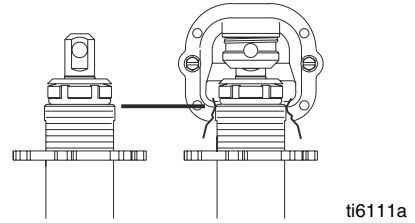


2. Install pump rod (D) into connecting rod (30).
3. Install pump pin (31). Verify retainer spring (30a) is in groove over pump pin.

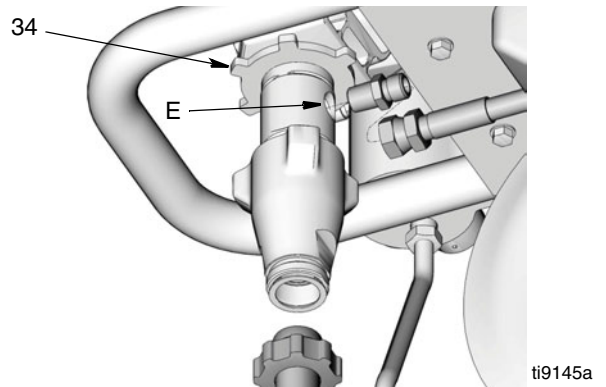


4. Push pump (33) up until pump threads engage.

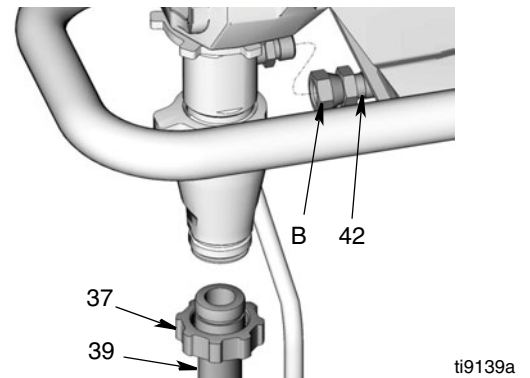
5. Screw in pump until threads are flush with top of drive housing opening.



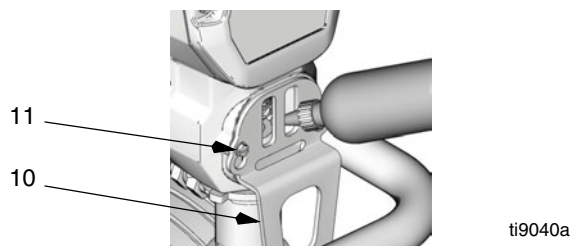
6. Align pump outlet (E) to back.



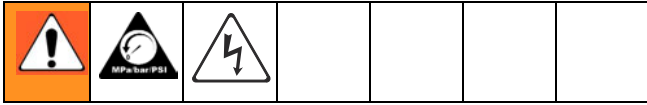
7. Screw jam nut (34) up onto pump until nut stops. Tighten jam nut by hand, then tap 1/8 to 1/4 turn with a 20 oz (maximum) hammer to approximately 75 ft-lb (102 N•m).
8. Install suction tube (39) and coupled hose (42). Tighten nuts (37) and (B).



9. Fill packing nut with Graco TSL until fluid flows onto top of seal. Install pail hanger (10) with screws (11).

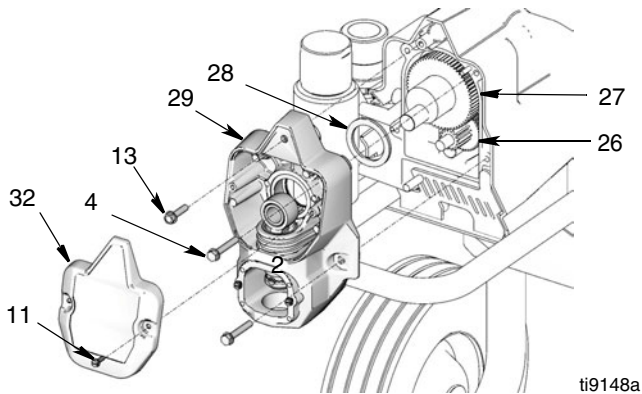


# Drive Housing Replacement



## Removal

1. Relieve pressure, page 6.
2. Remove pump (33). **Displacement Pump Replacement**, page 12.
3. Disconnect power cord from outlet.



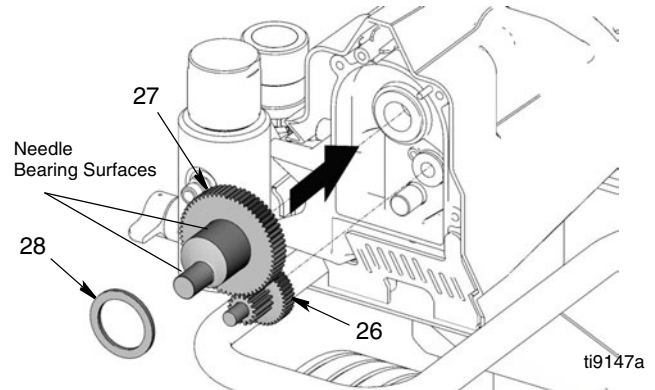
4. Remove two screws (11) and cover (32).
5. Remove screw (13) and four screws (4).
6. Pull drive housing (29) out of motor front endbell.
7. Remove gear cluster (27) and (26) and thrust bearing (28) from drive housing.

### CAUTION

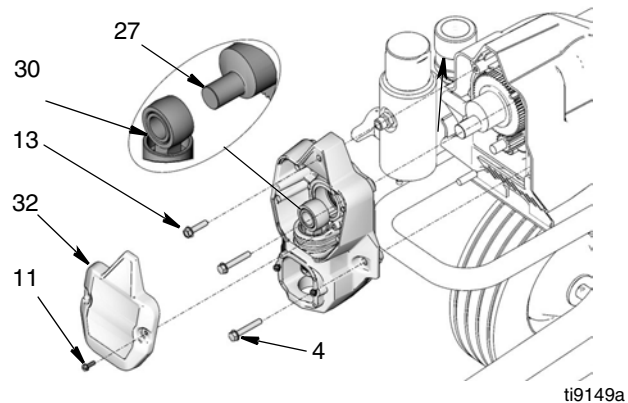
Do not drop gear cluster (27) and (26) when removing drive housing (29). Gear cluster may stay engaged in motor front endbell or drive housing.

## Installation

1. Apply a liberal coat of grease to gears and needle bearing surfaces. Install thrust bearing (28) and gears (26) and (27) in motor front endbell.



2. Push drive housing (29) into motor front endbell. Insert gear crank (27) through hole in connecting rod (30).



3. Install four screws (4) and screw (13).
4. Install cover (32) with two screws (11).
5. Install pump (33). **Displacement Pump Replacement**, page 12.

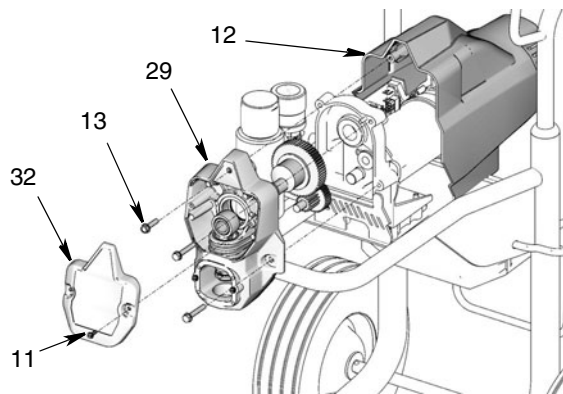
# Spin Test

See *Wiring Diagram*, page 27.



To check armature, motor winding and brush electrical continuity:

1. **Relieve pressure**, page 6. Disconnect power cord from outlet.
2. Remove kick stand (66) on (210ES Series A).
3. Remove two screws (5) and toolbox (3) (190ES, 210ES Series A).
4. Remove two screws (11) and front cover (32).



ti9150a

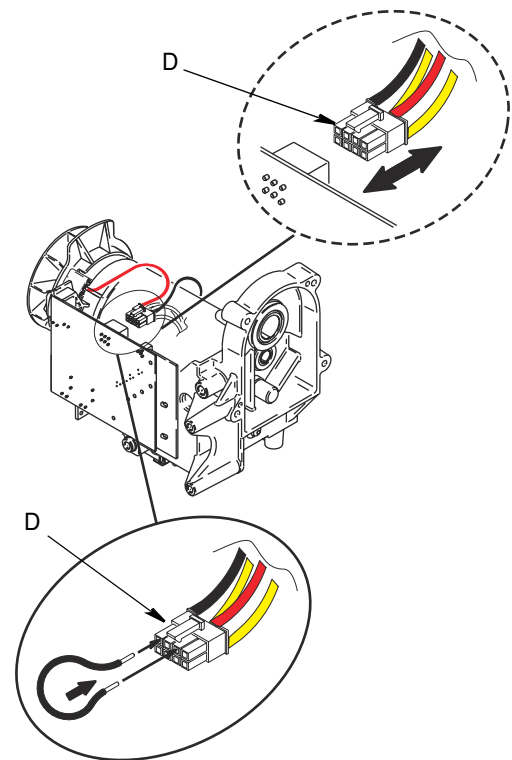
5. Remove screw (13) and shroud (12).
6. Remove drive housing (29), page 14.
7. Disconnect motor connector (D).

## Armature Short Circuit Test

Quickly turn motor fan by hand. If motor coasts two or three revolutions before complete stop, there are no electrical shorts. If motor does not spin freely, armature is shorted. Replace motor, page 26.

## Armature, Brushes, and Motor Wiring Open Circuit Test (Continuity)

1. Connect red and black motor leads with test lead. Turn motor fan by hand at about two revolutions per second.
2. If uneven or no resistance, check for missing brush caps, broken brush springs, brush leads, and worn brushes. Repair as needed, page 17.
3. If still uneven or no resistance, replace motor, page 26.

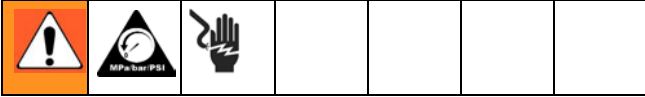


ti9135a

4. Connect motor connector (D).
5. Install drive housing, page 14.
6. Install shroud (12) with screw (13).
7. Install front cover (32) with two screws (11).
8. Install toolbox (3) with two screws (5) (190ES, 210ES Series A).
9. Install kick stand (66) on (210ES Series A).

# Fan Replacement

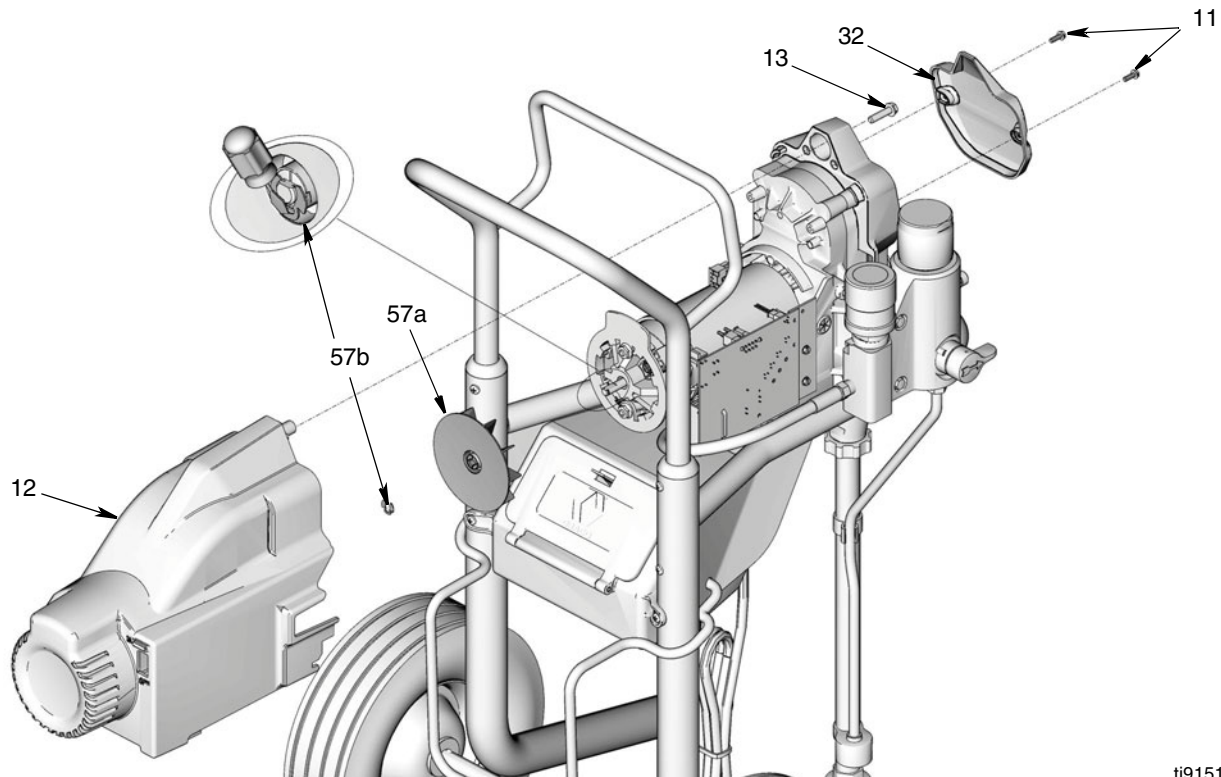
## Removal



1. **Relieve pressure**, page 6. Disconnect power cord from outlet.
2. Remove kick stand (66) (210ES Series A).
3. Remove two screws (5) and toolbox (3) (190ES, 210ES Series A).
4. Remove two screws (11) and front cover (32).
5. Remove screw (13) and shroud (12).
6. Remove retaining ring (57b) on back of motor.
7. Pull off fan (57a).

## Installation

1. Slide new fan (57a) on back of motor. Be sure fan blades face motor.
2. Install spring clip (57b).
3. Install shroud (12) with screw (13).
4. Install front cover (32) with two screws (11).
5. Install toolbox (3) with two screws (5) (190ES, 210ES Series A).
6. Install kick stand (66) (210ES Series A).



ti9151a



# Motor Brush Replacement


See *Wiring Diagram*, page 27.

## Removal


Replace brushes worn to less than 1/4 in. (6 mm). Brushes wear differently on each side of motor, check both sides.



1. **Relieve pressure**, page 6. Disconnect power cord from outlet.
2. Remove kick stand (66) (210ES Series A).
3. Remove two screws (5) and toolbox (3) (190ES, 210ES, Series A).
4. Remove two screws (11) and front cover (32) (190ES, 210ES Series A).
5. Remove screw (13) and shroud (12) (see illustration on page 15).
6. Disconnect motor connector (D) from control board (18).
7. Cut tie wrap (F).
8. Locate two yellow wires (C). Cut each yellow wire at the center.
9. Pry off two brush caps (A). Remove brushes (B) from motor.
10. Discard old brush assembly.
11. Rotate fan by hand and blow compressed air into top brush holder to remove brush dust.

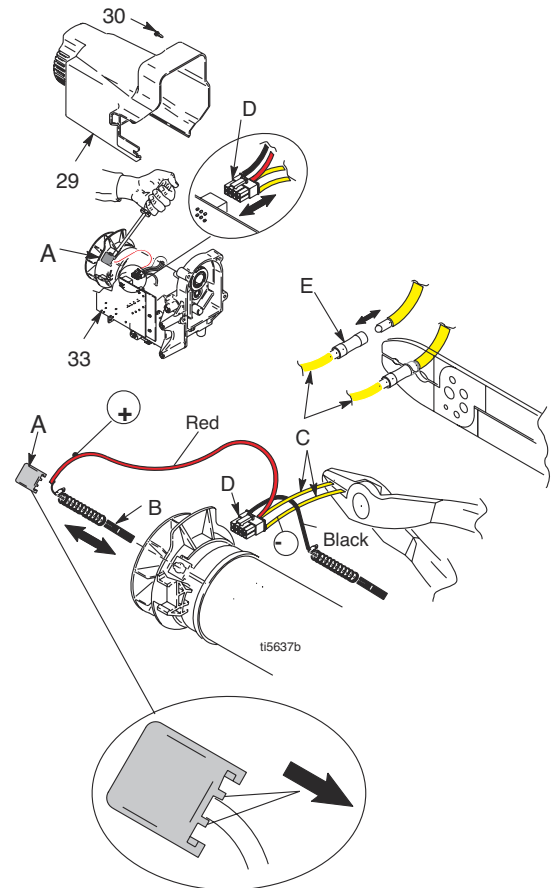
 Place end of a shop vacuum hose over lower brush holder. Turn on shop vacuum when you blow compressed air into top brush holder.

## Installation

 Use all new parts included in brush kit. Do not reuse old parts if new replacement parts are provided.

1. Install new brushes (B) in motor with wires facing toward front of motor. Install positive (red) brush lead in top of motor and negative (black) brush lead in side of motor.

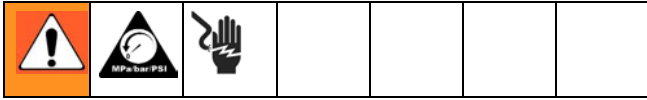
2. Push each cap (A) into place over brush. Orient each cap with the two projections on either side of the brush lead. You will hear a snap when cap is securely in place.
3. Strip approximately 1/4 inch (6 mm) of insulation from end of each yellow wire (C) from motor.
4. Insert stripped end into end of a butt splice (E) on new brush assembly.
5. Crimp ends of butt splice (E) around each wire. Pull gently on each wire to be sure wire does not pull out of butt splice.
6. Connect motor connector (D) to control board (18).



7. Install shroud (12) with screw (13) (see illustration, page 15).
8. Install front cover (32) with two screws (11).
9. Install toolbox (3) with two screws (5) (190ES, 210ES Series A).
10. Install kick stand (66) (210ES Series A).

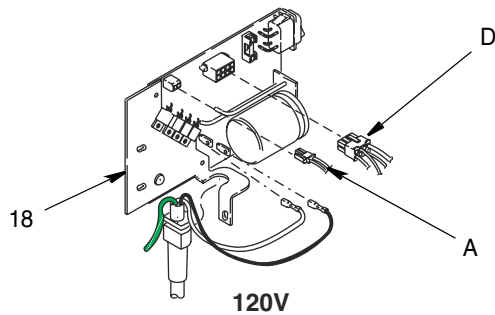
# Control Board Replacement

See *Wiring Diagram*, page 27.



## Removal

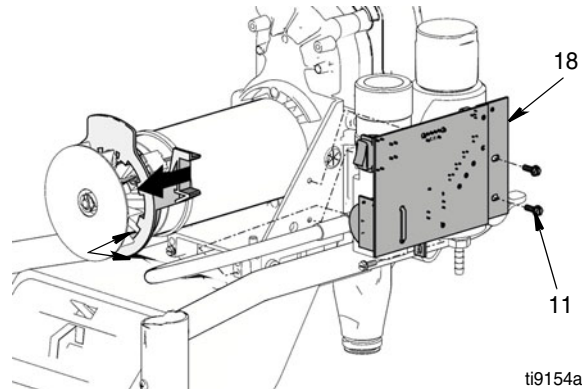
1. **Relieve pressure**, page 6. Disconnect power cord from outlet.
2. Remove kick stand (66) (210ES Series A).
3. Remove two screws (5) and toolbox (3) (190ES, 210ES Series A).
4. Remove two screws (11) and front cover (32). Remove screw (13) and shroud (12) (see illustration, page 15).
5. Disconnect pressure control assembly connector (A) from control board (18).



ti9132a

6. Disconnect motor connector (D) from control board (18).

7. Remove three screws (11) securing control board to housing (two are located on the front and one on the back next to the power cord).



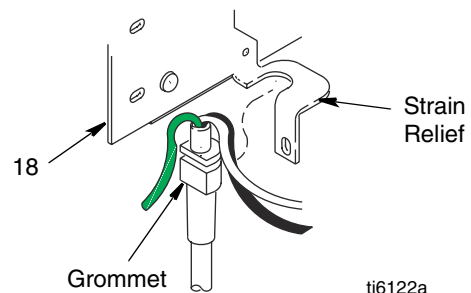
ti9154a

8. Pull control board out slightly and then slide control board back and off of frame.

Make sure power cord is free and not wrapped around cord wrap.

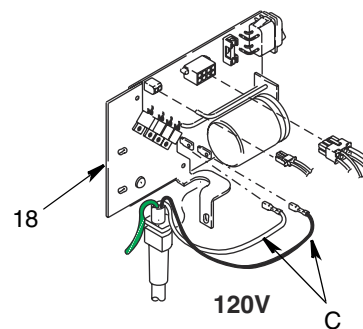
9. Remove grommet and wires from strain relief.

Ground wire remains attached to sprayer with grounding screw.



ti6122a

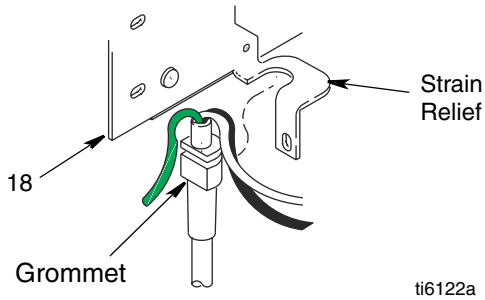
10. Remove two power cord (C) connectors from control board.



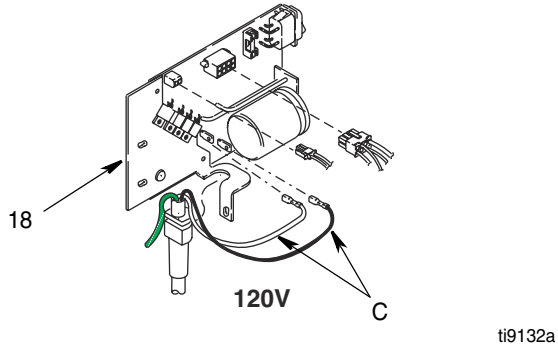
ti9132a


## Installation

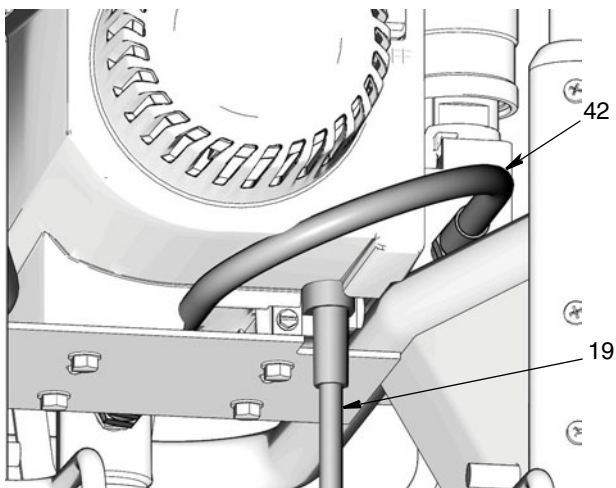
1. Push grommet and power cord wires into strain relief in control board (18).



2. Connect power cord connectors to terminals indicated on control board (18).

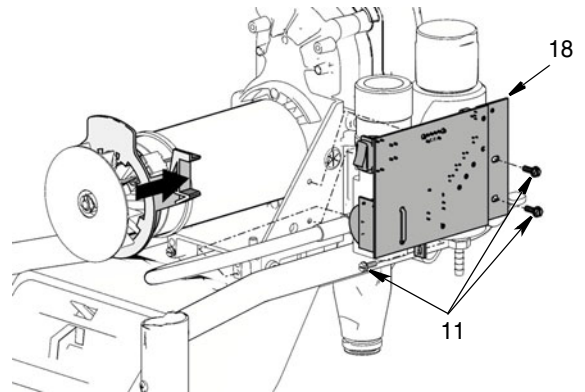


 Route power cord (19) between coupled hose (42) to filter manifold and sprayer frame.

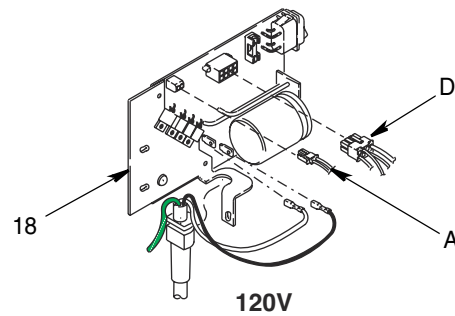


**Bottom View of Sprayer**

3. Slide control board into place on side of motor front endbell.

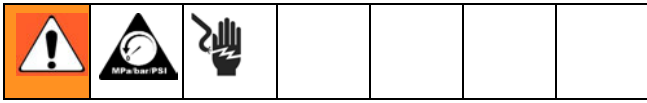


4. Replace three screws (11). Torque to 30-35 in-lb (3.4-3.9 N.m).



5. Connect motor connector (D) and pressure control assembly connector (A).
6. Install shroud (12) with screw (13). Install front cover (32) with two screws (11). (see illustration, page 15).
7. Install toolbox (3) with two screws (5) (190ES, 210ES Series A).
8. Install kick stand (66) (210ES Series A).

# Fuse Replacement



If the fuse is blown, check for:

- Pinched or shorted wires
- A defective motor (see Spin Test, page 15)
- A locked or frozen pump

Correct defective condition before replacing fuse.

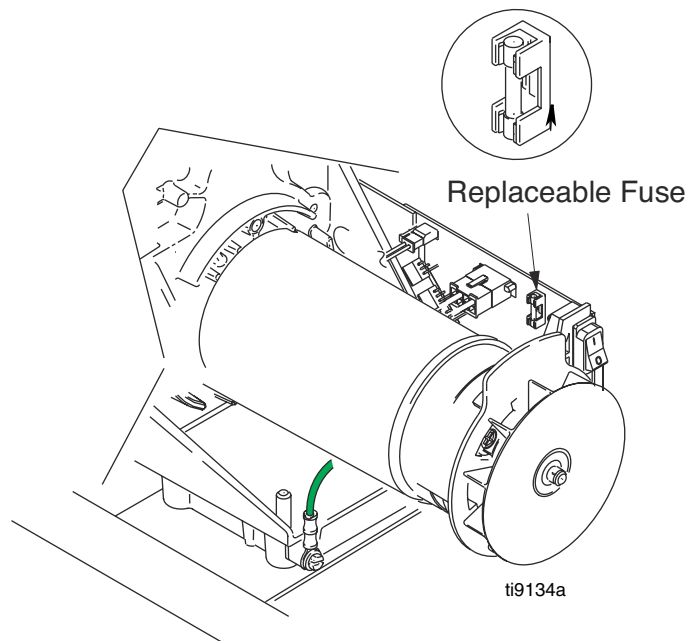
## Removal

1. **Relieve pressure**, page 6. Disconnect power cord from outlet.
2. Remove kick stand (66) (210ES, Series A).

3. Remove two screws (5) and toolbox (3) (190ES, 210ES Series A).
4. Remove two screws (11) and front cover (32). Remove screw (13) and shroud (12) (see illustration, page 15).
5. Remove fuse from control board.

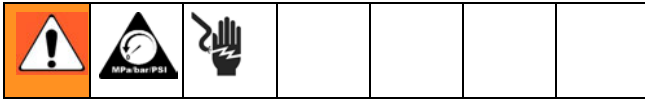
## Installation

1. Install Fuse 119277 on control board.
2. Install shroud (12) with screw (13). Install front cover (32) with two screws (11). (see illustration, page 15).
3. Install toolbox (3) with two screws (5) (190ES, 210ES Series A).
4. Install kick stand (66) (210ES Series A).



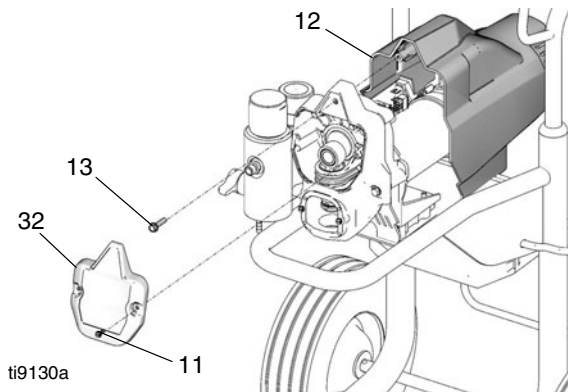
# Pressure Control Assembly Replacement

See *Wiring Diagram*, page 27.

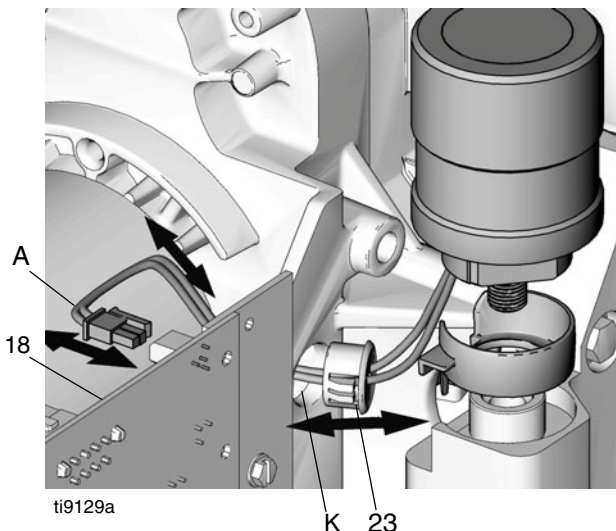


## Removal

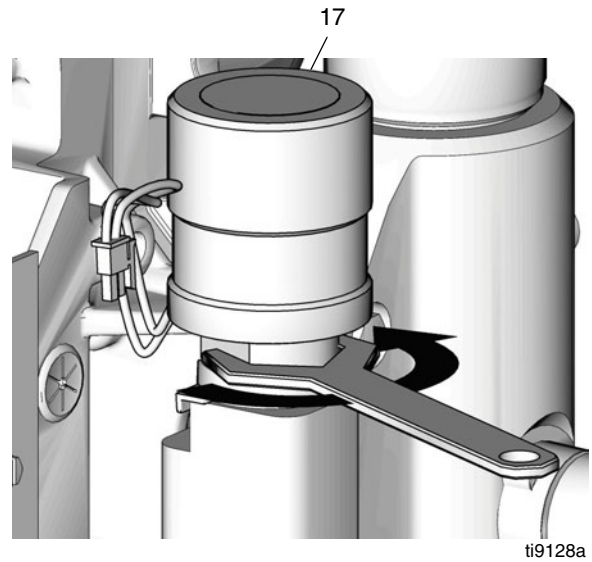
1. **Relieve pressure**, page 6. Disconnect power cord from outlet.
2. Remove kick stand (66) (210ES Series A).
3. Remove two screws (5) and toolbox (3) (190ES, 210ES Series A).
4. Remove two screws (11) and front cover (32).
5. Remove screw (13) and shroud (12).



6. Disconnect pressure switch connector (A) from control board (18). Pull bushing (23) from hole (K).



7. Pull wires through hole (K).
8. Turn pressure control knob (17) counter clockwise as far as you can to access flats on either side of pressure control.
9. Loosen and unscrew pressure control.

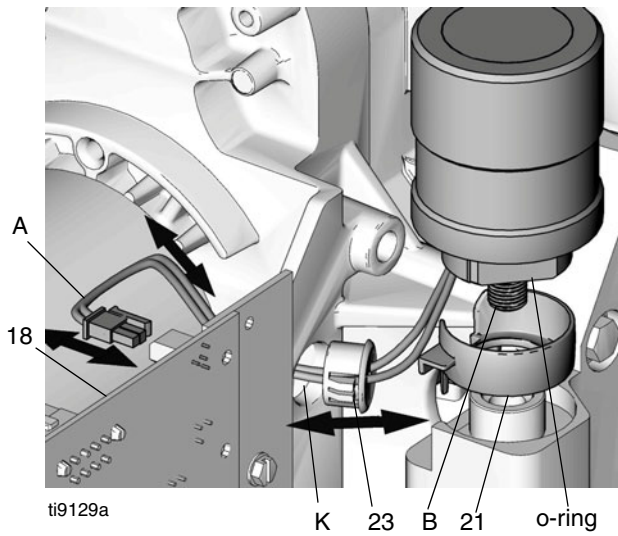


**Caution**

If you plan to reuse pressure control, be careful not to damage or tangle wires when unscrewing pressure control.

10. Remove pressure control.

## Installation



1. Inspect pressure control before installation to verify o-ring is installed.
2. Align pressure control wire cap (21) on fluid manifold so opening faces toward motor.

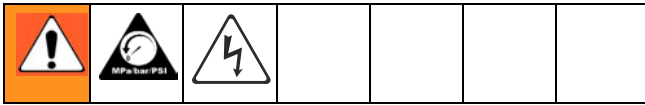
3. Apply loctite to pressure control knob (B) threads.
4. Screw pressure control threads (B) into manifold and torque to 150 in-lb (17.0 N.m).

### Caution

Be careful when tightening pressure control knob that wires are not pinched between pressure control and fluid manifold.

5. Tuck wires into pressure control wire cap (21) and route wires toward cap opening. Feed wires through housing hole (K).
6. Insert bushing (23) in hole (K).
7. Connect pressure switch connector (A) to control board (18).
8. Install shroud (12) with screw (13). Install front cover (32) with two screws (11). (see illustration, page 15).
9. Install toolbox (3) with two screws (5) (190ES, 210ES Series A).
10. Install kick stand (66) (210ES Series A).

# Drain Valve Replacement

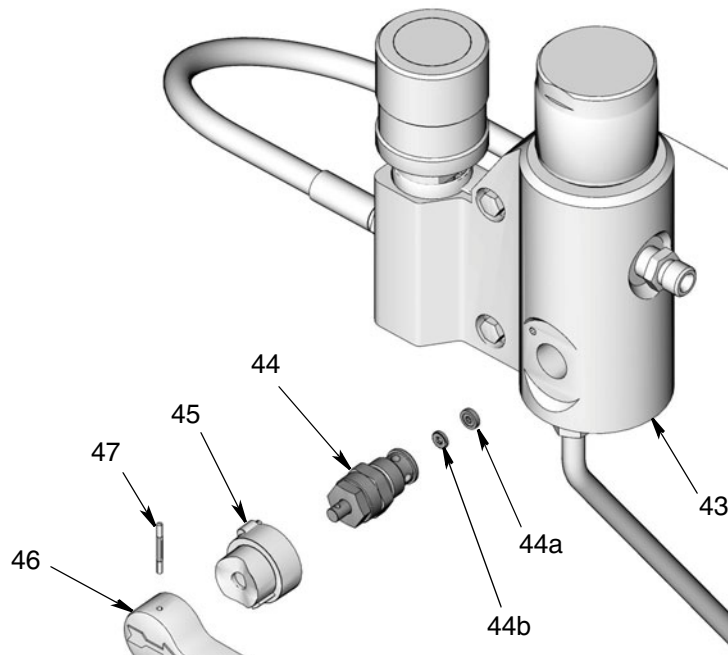


## Removal

1. **Relieve pressure**, page 6. Disconnect power cord from outlet.
2. Remove pin (47) from drain valve handle (46).
3. Pull drain valve handle and valve base (45) from drain valve (44).
4. Unscrew drain valve from filter manifold (43).
5. Remove valve seat (44b) and seat gasket (44a) from inside of filter manifold or end of drain valve.

## Installation

1. Install new seat gasket (44a) and valve seat (44b) on end of drain valve.
2. Screw drain valve (44) into filter manifold (43). Torque to 120 to 130 in-lb.
3. Push valve base (45) over drain valve (44) and then valve drain handle (46) over valve base.
4. Install pin (47) in drain valve handle. If necessary, use a hammer to tap pin in place completely.




ti9155a

# Drain Line Replacement


## Removal

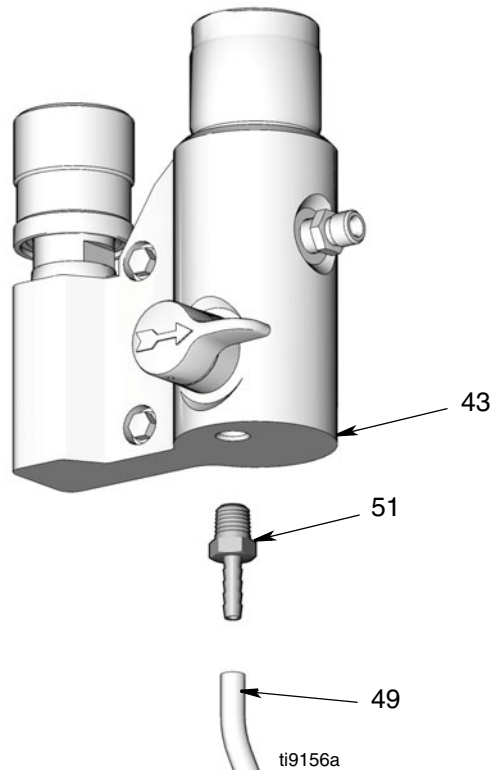
1. Cut drain line (49) from barbed fitting (51).
2. Unscrew barbed fitting from filter manifold (43).

 To reuse existing barbed fitting (51) and drain line (49), cut and remove remaining drain line material from end of barbed fitting.

## Installation

1. Screw barbed fitting (51) into filter manifold (43).
2. Push drain line (49) onto barbed fitting.

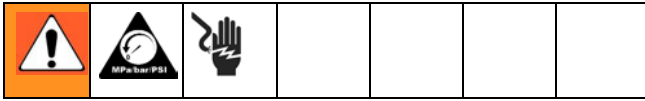
 To make drain line more pliable and easier to install over barbed fitting, heat end of drain line (49) with a hair dryer or place end in hot water a few seconds.





# Power Cord Replacement

See *Wiring Diagram*, page 27.

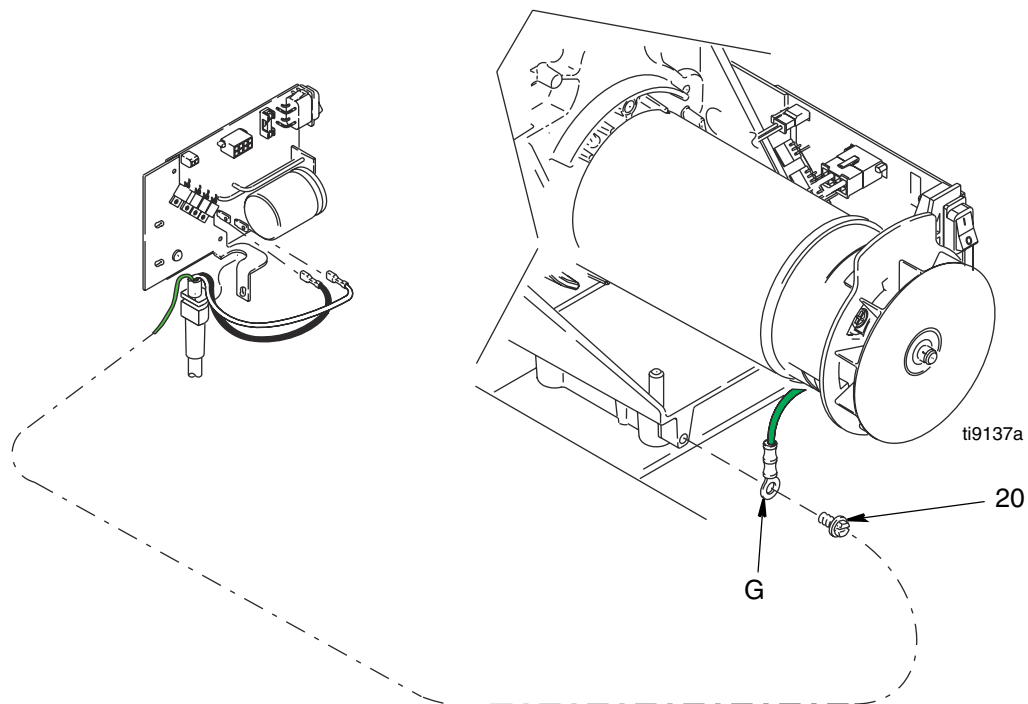


## Removal

1. Remove control board, **Control Board Replacement, Removal**, page 18.
2. Remove green ground screw (20) and disconnect green ground wire (G) from frame.

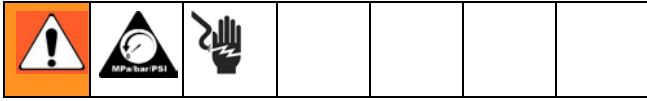
## Installation

1. Connect green ground wire (G) to frame with green ground screw (20). Be sure green ground wire terminal faces up or wires could get caught in shroud.
2. Install control board, **Control Board Replacement, Installation**, page 19.



# Motor Replacement

See *Wiring Diagram*, page 27.



## CAUTION

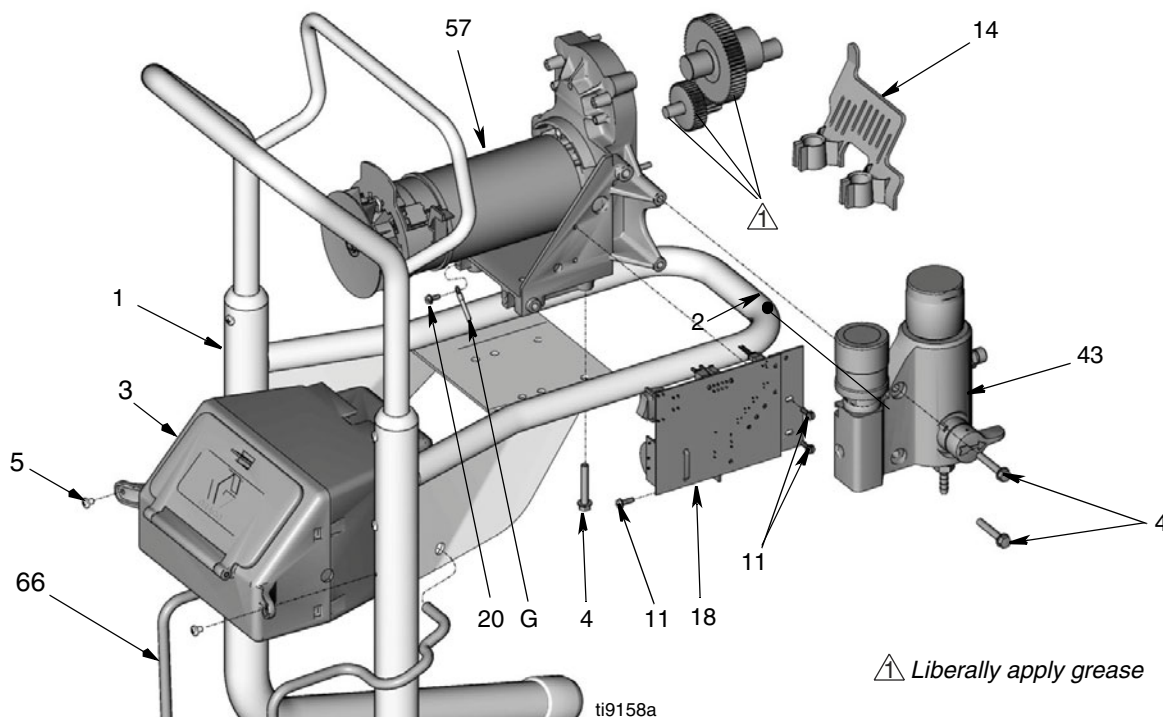
Do not drop gear cluster (27) and (26) when removing drive housing (29). Gear cluster may stay engaged in motor frontend bell or drive housing.

## Removal

1. **Relieve pressure**, page 6. Disconnect power cord from outlet.
2. Remove kick stand (66) (210ES Series A).
3. Remove two screws (5) and toolbox (3) (190ES, 210ES Series A).
4. Remove pump, **Displacement Pump Replacement**, page 12.
5. Remove drive housing, **Drive Housing Replacement**, page 14.
6. Remove control board, **Control Board Replacement**, page 18.
7. Remove two screws (4) and filter manifold (43).
8. Remove green ground screw (20) and ground wire (G) from motor endbell.
9. Remove cover (14). Remove four screws (4) and motor (57) from frame (1).

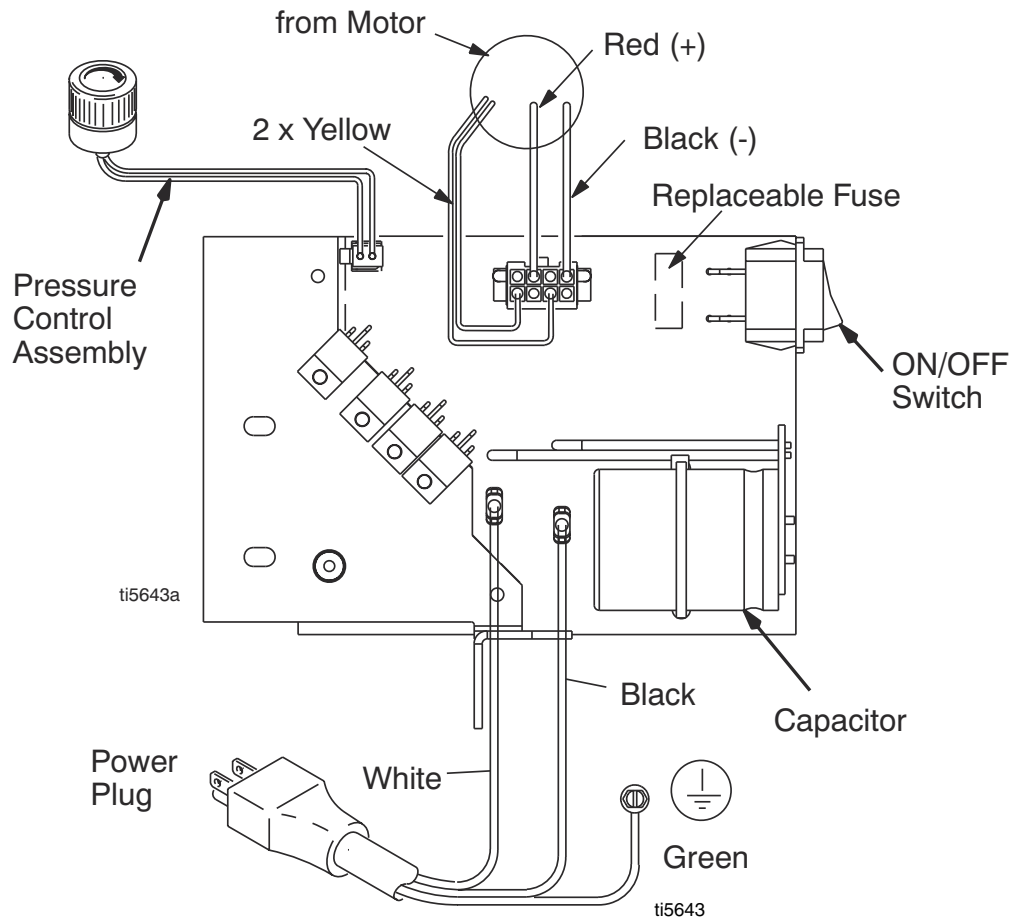
## Installation

1. Install cover (14) on motor (57). Install motor on frame (1) with four screws (4).
2. Connect green ground wire (G) to frame with green ground screw (20). Be sure green ground wire terminal faces up or wires could get caught in shroud. (See illustration, page 25.)
3. Install manifold (43) with two screws (4).
4. Install control board, **Control Board Replacement**, page 18.
5. Install drive housing. **Drive Housing Replacement**, page 14.
6. Install pump. **Displacement Pump Replacement**, page 12.
7. Install toolbox (3) with two screws (5) (190ES, 210ES Series A).
8. Install kick stand (66) (210ES Series A).

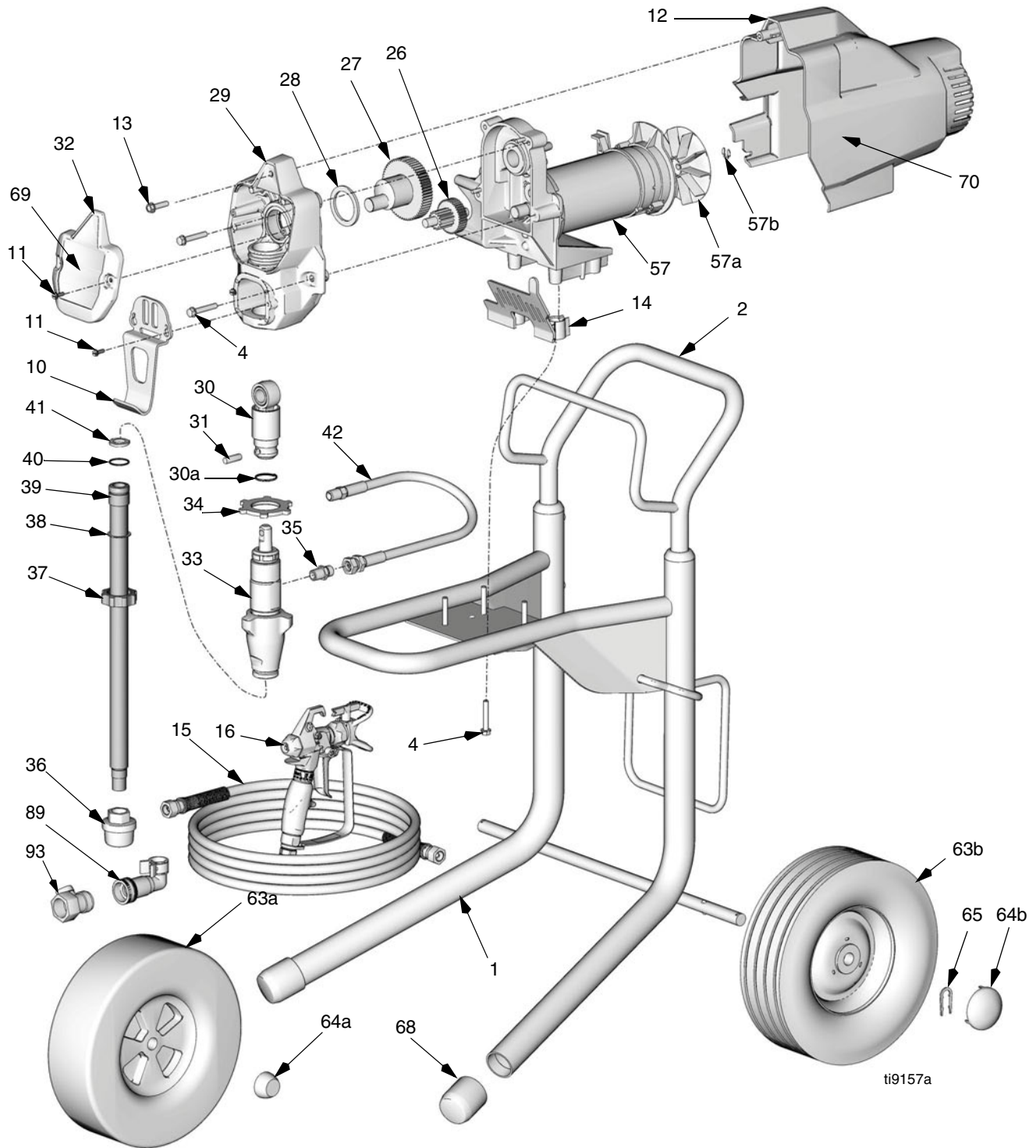


ti9158a

# 120V Wiring Diagram



# Parts



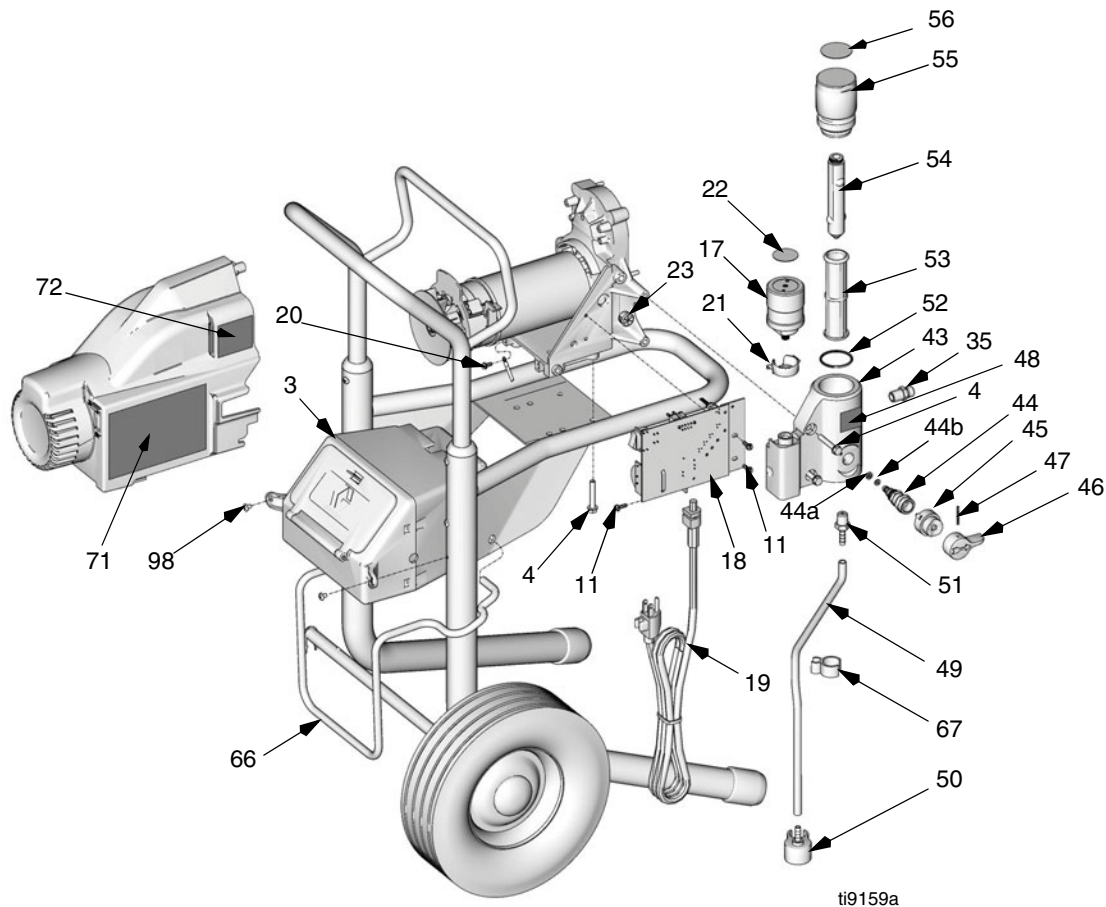
# Parts List

Ref	Part	Description	Qty	Ref	Part	Description	Qty
1	288216	FRAME, cart, hi	1	39	15J801	TUBE, suction, intake	1
2	287489	HANDLE, cart	1	40	103413	O-RING	1
4	117493	SCREW, mach, hex washer hd	10	41	115099	WASHER, garden hose	1
5	109032	SCREW, mach, pnh	4	42	15J744	HOSE, cpld	1
10	15J812	HANGER, pail	1	57❖		MOTOR, electric, 120V	
11	117501	SCREW, mach, slot hex wash hd	7		255157	190 ES; includes 57a, 57b	1
12	255165	SHIELD; includes 13, 71, 72	1		249040	210 ES; includes 57a, 57b	1
13	114531	SCREW, mach, hex washer hd	1	57a	249043	FAN, motor	1
14	15J651	COVER, 210 / 190 ES	1	57b	119653	RING, retaining	1
15	247340	HOSE, cpld, 1/4 in. x 50 ft	1	63		WHEEL, semi pneumatic	
16	255109	GUN, spray, SG Pro, mag	1		119451	190 ES	2
		Manual 311979, Series A (packaged)			106062	210 ES	2
	243012	GUN, spray, SG3, Graco packaged, Series B	1	64		CAP, hub	
					119452	190 ES	2
26	249194	GEAR, assembly, combination	1		104811	210 ES	2
27	249195	GEAR, crankshaft; includes 28	1	65		CLIP, retaining	
28	180131	BEARING, thrust	1		—	190 ES	0
29	255168	HOUSING, drive; includes 4, 10, 11	1		15B999	210 ES	2
30	287053	ROD, connecting; includes 30a, 31	1	68	15C871	CAP, leg	2
30a	196750	SPRING, retaining	1	69		LABEL, front, brand	
31	196762	PIN, straight	1		15K360	190 ES	1
32	15E630	COVER, front	1		15K362	210 ES	1
33	255198	PUMP, displacement; includes 35	1	70		LABEL, side, brand	
		Manual 312015			15K361	190 ES	1
34	195150	NUT, jam, pump	1		15K363	210 ES	1
35	162453	FITTING, (1/4 npsm x 1/4 npt)	2	78	206994	FLUID, TSL, 8 oz (not shown)	1
36	235004	STRAINER, 3/4-16 unf	1	89	288686	ADAPTER, power flush	1
37	15E813	NUT, jam	1	93	115648	VALVE, shutoff	1
38	15B652	WASHER, suction	1				

Y Warning labels are available free of charge

❖ 249042 KIT, brush, motor

# Parts Drawing



## Parts List

Ref	Part	Description	Qty	Ref	Part	Description	Qty
				48	195811	LABEL, instruction	1
3	288503	TOOL BOX, assembly (190ES, 210ES Series A)	1	49	15K092	TUBE, drain	1
4	117493	SCREW, mach, hex washer hd	10	50	244035	DEFLECTOR, barbed	1
11	117501	SCREW, mach, slot hex wash hd	7	51	M70809	FITTING, barbed, hose	1
17	255169	CONTROL, pressure, 120V; includes 21, 22, 23	1	52	104361	O-RING	1
18	249052‡	CONTROL, board	1	53	243080	FILTER, fluid	1
19	15J743	CORD, power, lighted, cart unit	1	54	15E288	INSERT, manifold	1
20	115498	SCREW, mach, slot hex wash hd	1	55	15E289	CAP, filter	1
21	15E794	CAP, wire, control, pressure	1	56	195707	LABEL, identification	1
22	15F399	LABEL, pressure control knob	1	66		ROD, kickstand	
23	115756	BUSHING, universal	1		-	190 ES	0
43	15J745	MANIFOLD, Filter, 190ES, 210ES	1		15J117	210 ES Series A	1
44	235014	VALVE, drain; includes 44a, 44b	1	67	195400	CLIP, spring	1
44a	111699	GASKET, seat	1	71Y	15K359	LABEL, 190-210 261825 261830 war	1
44b	187615	SEAT, valve	1	72Y	195833	LABEL, warning	1
45	224807	BASE, valve	1	98	108795	SCREW, mach, pnh	2
46	187625	HANDLE, valve, drain	1			(190ES, 210ES Series A)	
47	111600	PIN, grooved	1				

Y Warning labels are available free of charge

‡ 119277 Fuse replacement

# Warranty

Graco warrants all equipment referenced in this document which is manufactured by Graco and bearing its name to be free from defects in material and workmanship on the date of sale to the original purchaser for use. With the exception of any special, extended, or limited warranty published by Graco, Graco will, for a period of twelve months from the date of sale, repair or replace any part of the equipment determined by Graco to be defective. This warranty applies only when the equipment is installed, operated and maintained in accordance with Graco's written recommendations.

This warranty does not cover, and Graco shall not be liable for general wear and tear, or any malfunction, damage or wear caused by faulty installation, misapplication, abrasion, corrosion, inadequate or improper maintenance, negligence, accident, tampering, or substitution of non-Graco component parts. Nor shall Graco be liable for malfunction, damage or wear caused by the incompatibility of Graco equipment with structures, accessories, equipment or materials not supplied by Graco, or the improper design, manufacture, installation, operation or maintenance of structures, accessories, equipment or materials not supplied by Graco.

This warranty is conditioned upon the prepaid return of the equipment claimed to be defective to an authorized Graco distributor for verification of the claimed defect. If the claimed defect is verified, Graco will repair or replace free of charge any defective parts. The equipment will be returned to the original purchaser transportation prepaid. If inspection of the equipment does not disclose any defect in material or workmanship, repairs will be made at a reasonable charge, which charges may include the costs of parts, labor, and transportation.

**THIS WARRANTY IS EXCLUSIVE, AND IS IN LIEU OF ANY OTHER WARRANTIES, EXPRESS OR IMPLIED, INCLUDING BUT NOT LIMITED TO WARRANTY OF MERCHANTABILITY OR WARRANTY OF FITNESS FOR A PARTICULAR PURPOSE.**

Graco's sole obligation and buyer's sole remedy for any breach of warranty shall be as set forth above. The buyer agrees that no other remedy (including, but not limited to, incidental or consequential damages for lost profits, lost sales, injury to person or property, or any other incidental or consequential loss) shall be available. Any action for breach of warranty must be brought within two (2) years of the date of sale.

**GRACO MAKES NO WARRANTY, AND DISCLAIMS ALL IMPLIED WARRANTIES OF MERCHANTABILITY AND FITNESS FOR A PARTICULAR PURPOSE, IN CONNECTION WITH ACCESSORIES, EQUIPMENT, MATERIALS OR COMPONENTS SOLD BUT NOT MANUFACTURED BY GRACO.** These items sold, but not manufactured by Graco (such as electric motors, switches, hose, etc.), are subject to the warranty, if any, of their manufacturer. Graco will provide purchaser with reasonable assistance in making any claim for breach of these warranties.

In no event will Graco be liable for indirect, incidental, special or consequential damages resulting from Graco supplying equipment hereunder, or the furnishing, performance, or use of any products or other goods sold hereto, whether due to a breach of contract, breach of warranty, the negligence of Graco, or otherwise.

## **FOR GRACO CANADA CUSTOMERS**

The Parties acknowledge that they have required that the present document, as well as all documents, notices and legal proceedings entered into, given or instituted pursuant hereto or relating directly or indirectly hereto, be drawn up in English. Les parties reconnaissent avoir convenu que la rédaction du présente document sera en Anglais, ainsi que tous documents, avis et procédures judiciaires exécutés, donnés ou intentés, à la suite de ou en rapport, directement ou indirectement, avec les procédures concernées.

## **POUR LES CLIENTS DE GRACO PARLANT FRANCAIS**

Les parties reconnaissent avoir convenu que la rédaction du présent document ainsi que de tous les documents, avis et procédures judiciaires exécutés, donnés ou intentés à la suite de ou en rapport, directement ou indirectement, avec les procédures concernées, sera en anglais.

## **FÜR GRACO-KUNDEN IN DEUTSCHLAND/ÖSTERREICH/SCHWEIZ**

Die Parteien bestätigen hiermit die festgelegte Vereinbarung, daß das vorliegende Dokument sowie alle anderen Dokumente, Mitteilungen und Gerichtsverfahren, die im Zusammenhang damit erstellt, verteilt oder eingeleitet werden, oder sich direkt oder indirekt darauf beziehen, in englischer Sprache verfaßt sein sollen.

## **PARA LOS CLIENTES DE GRACO QUE HABLAN ESPAÑOL**

Las partes reconocen haber convenido que el presente documento, así como todos los documentos, notificaciones y procedimientos judiciales emprendidos, presentados o establecidos que tengan que ver con estas garantías directa o indirectamente, estarán redactados en inglés.

## **PER I CLIENTI GRACO ITALIANI**

Le controparti riconoscono di aver richiesto che il presente documento, e tutti gli altri documenti, avvisi e informazioni di natura legale sottoscritti, conferiti o istituiti direttamente o indirettamente, siano redatti in lingua inglese.

## **VOOR GRACO-KLANTEN IN NEDERLAND**

De partijen zijn zich ervan bewust dat zij hebben geëist dat het onderhavige document, evenals alle documenten, berichtgevingen en wettelijke procedures die worden aangegaan, overhandigd of in gang gezet hetzij als gevolg van hetzij rechtstreeks hetzij indirect in relatie tot het onderhavige worden opgesteld in de Engelse taal.

## **ADDITIONAL WARRANTY COVERAGE**

Graco does provide extended warranty and wear warranty for products described in the "Graco Contractor Equipment Warranty Program".

*TO PLACE AN ORDER*, contact your Graco distributor, or call **1-800-690-2894** to identify the nearest distributor.

All written and visual data contained in this document reflects the latest product information available at the time of publication. Graco reserves the right to make changes at any time without notice.

Original instructions. This manual contains English. MM 311990

**Graco Headquarters:** Minneapolis,

**International Offices:** Belgium, Korea, China, Japan

**GRACO INC. P.O. BOX 1441 MINNEAPOLIS, MN 55440-1441**

**Copyright 2010, Graco Inc. is registered to ISO 9001**

<http://www.graco.com>

Rev 03/2011