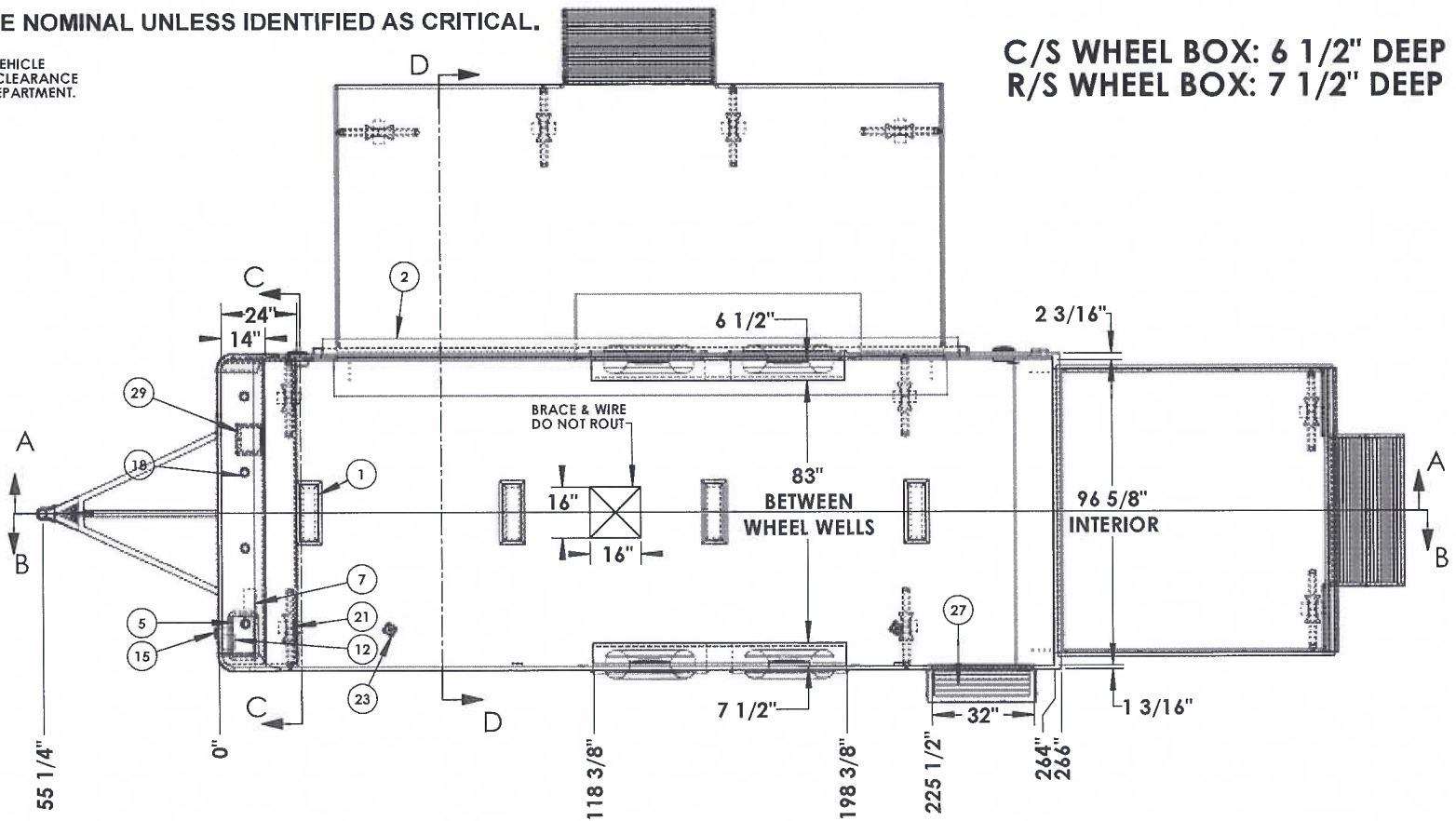


NOTE: ALL DIMENSIONS ARE NOMINAL UNLESS IDENTIFIED AS CRITICAL.

ATTENTION:
ATC IS NOT RESPONSIBLE FOR CLEARANCE OF VEHICLE
UNTIL CUSTOMER/DEALER COMPLETES VEHICLE CLEARANCE
FORM AND IS VERIFIED BY ATC ENGINEERING DEPARTMENT.

**C/S WHEEL BOX: 6 1/2" DEEP
R/S WHEEL BOX: 7 1/2" DEEP**



ITEM NO.	Part No.	PART NUMBER	DESCRIPTION	QTY
36	40905	WHEEL WELL	6.5" x 13" x 80"	1
35	40249	WHEEL WELL	7.5" x 13" x 80"	1
30		TIRES	225/75/15	4
29		STEREO		1
28		STEP, REMOVABLE	48"	2
27		STEP, FLIP-UP	34"	1
26		STAGE DOOR-170926		1
24		SPRING ASSIST		1
23		SPEAKER-CUBE		2
22		SPEAKER-6.5	EXTERIOR	2
BOM TABLE				
21	11023	SCISSOR JACKS	24" 5000#	10
20		ROPE RING		4
18		PUCK LIGHT	LED	4
17	11978	OUTLET	120V 15A INTERIOR	4
16		OUTLET	120V 15A EXTERIOR	1
15		MOTORBASE	50 AMP	1
13	10942	COUPLER 10K		1
12	12451	CONVERTER - 12VDC	*55 AMP	1
7		BREAKER BOX	50 AMP	1
6		BENCH-194973		1
5	20571	BATTERY	BATTERY - 540 COLD CRANK	1
4		BANNER, PROP UP		1
3		AXLE	5200# (78-94) 10DEG UP	2
2		AWNING	17' Power	1
1	33653	18" LED RECESSED 12V	18" RECESSED	4
BOM TABLE				
ITEM NO.	Part No.	PART NUMBER	DESCRIPTION	QTY

ALL LOCATIONS ARE NOMINAL UNLESS CRITICAL DIMENSIONS ARE SPECIFICALLY NOTED

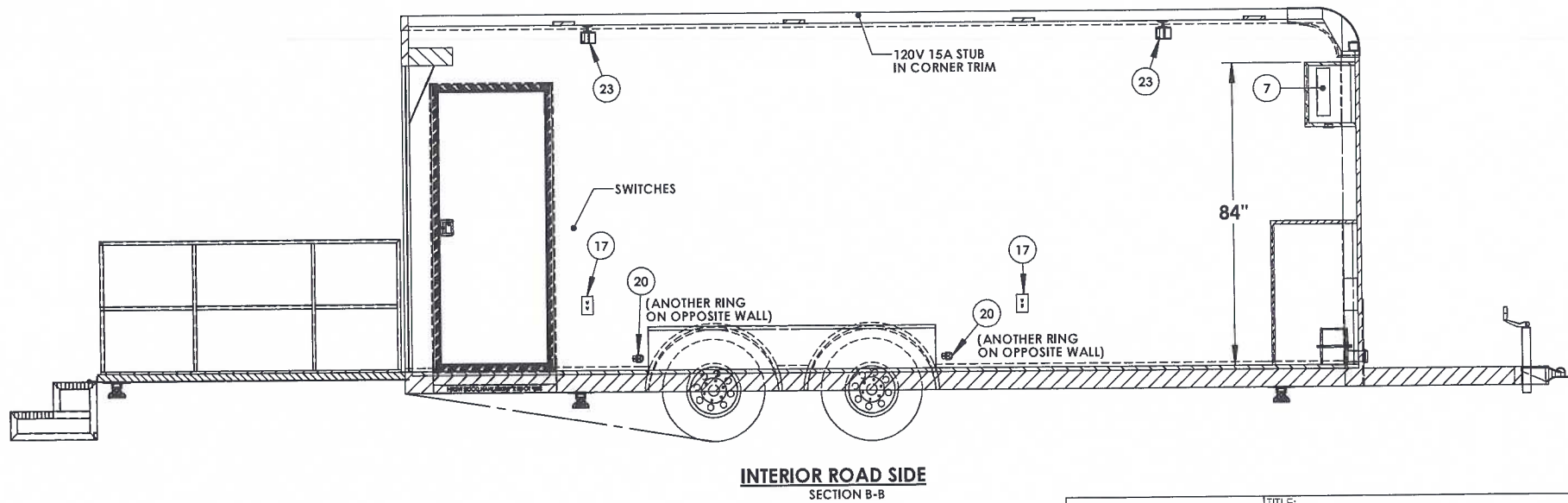
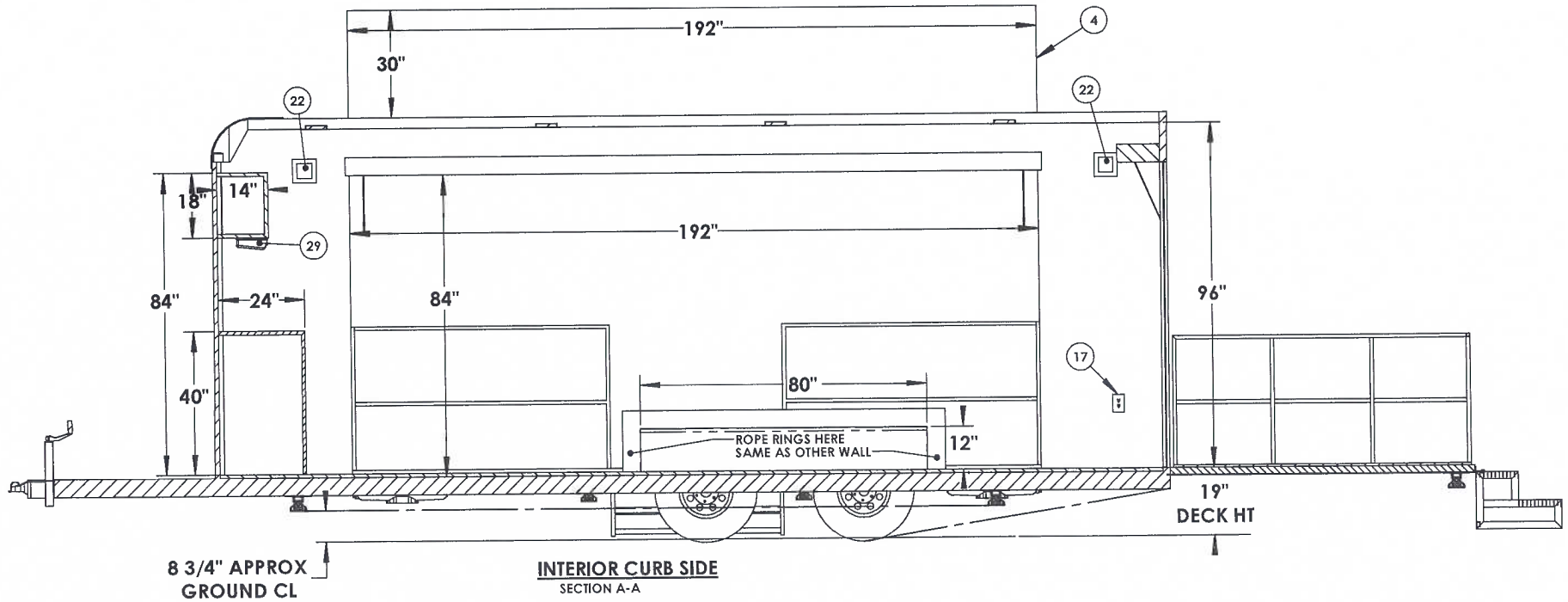
PROPRIETARY AND CONFIDENTIAL:
THE INFORMATION CONTAINED IN THIS DRAWING IS THE SOLE
PROPERTY OF THE ALUMINUM TRAILER COMPANY. ANY
REPRODUCTION IN PART OR AS A WHOLE WITHOUT THE WRITTEN
PERMISSION OF THE ALUMINUM TRAILER COMPANY IS PROHIBITED.




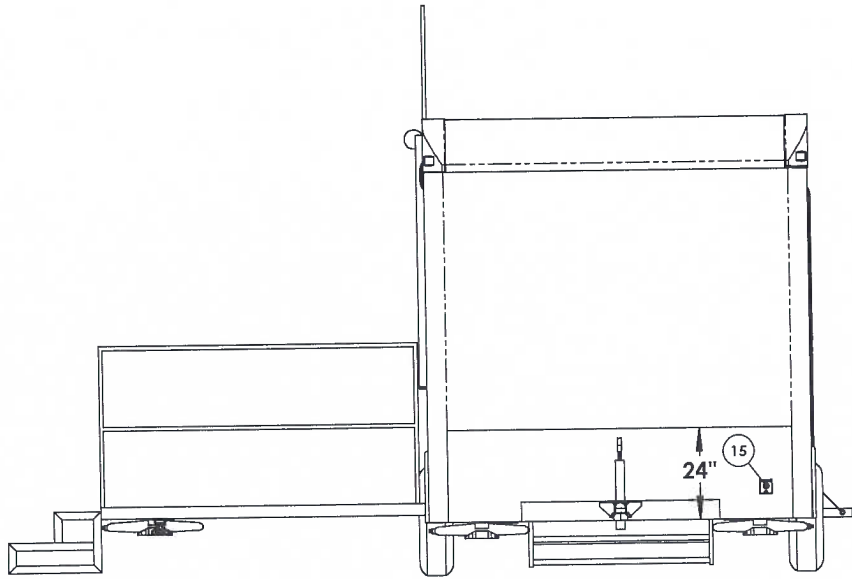
TITLE: 8.5' x 22' QUEST			
DRAWN BY: TEH	DATE: 7/31/13	VIN/PART # 195879	REV. D
FILE NAME: CHSPAX8524-ATC-195879			
SCALE: 1:27	DATE PRINTED: 8/19/2013	SHEET 1 OF 5	

REV.	DESCRIPTION	DATE	DONE BY
D	REMOVED CUSTOM COUNTER, HDMI, TV PREP, AND DETACHABLE TONGUE	8/19/2013	TEH
REVISION TABLE			

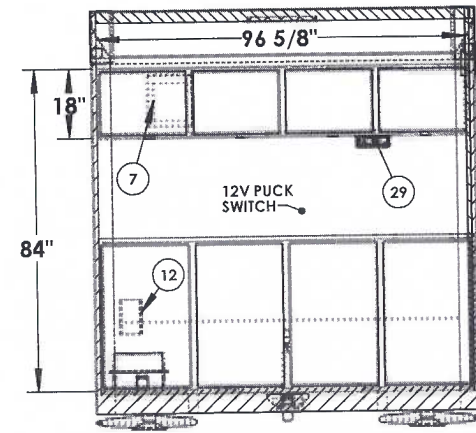
DWG PATH: M:\Master Records\195 VINS\195879 - ADVANTAGE - STOCK STAGE\Engineering\



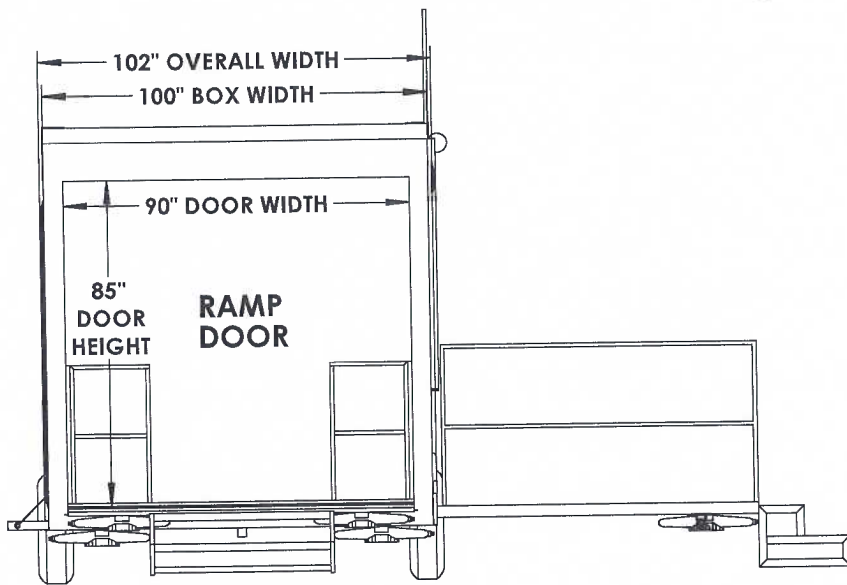
 WORLD CLASS TRAILERS		TITLE: 8.5' x 22' QUEST		REV.
		DRAWN BY: TEH	DATE: 7/31/13	VIN/PART # 195879
FILE NAME: CHSPAX8524-ATC-195879		SCALE: 1:22		
DATE PRINTED: 8/19/2013		SHEET 2 OF 5		



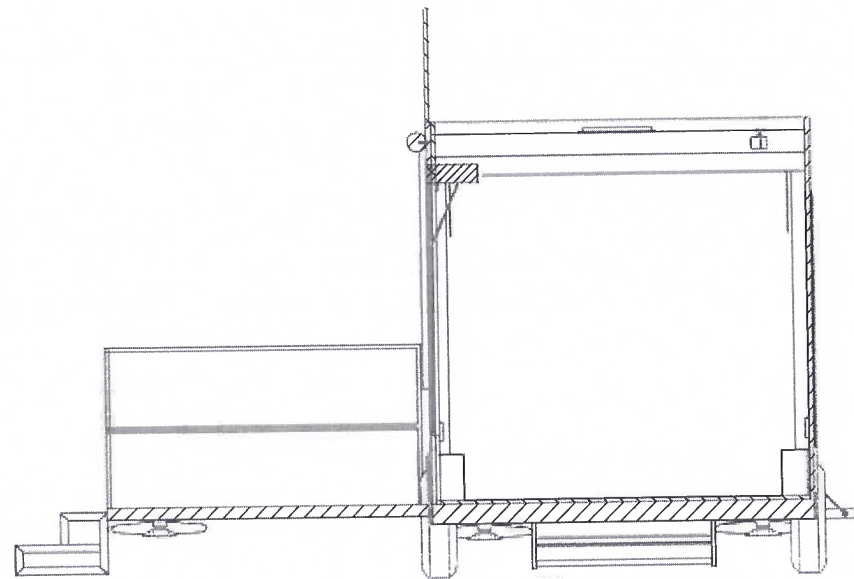
EXTERIOR FRONT



INTERIOR FRONT
SECTION C-C

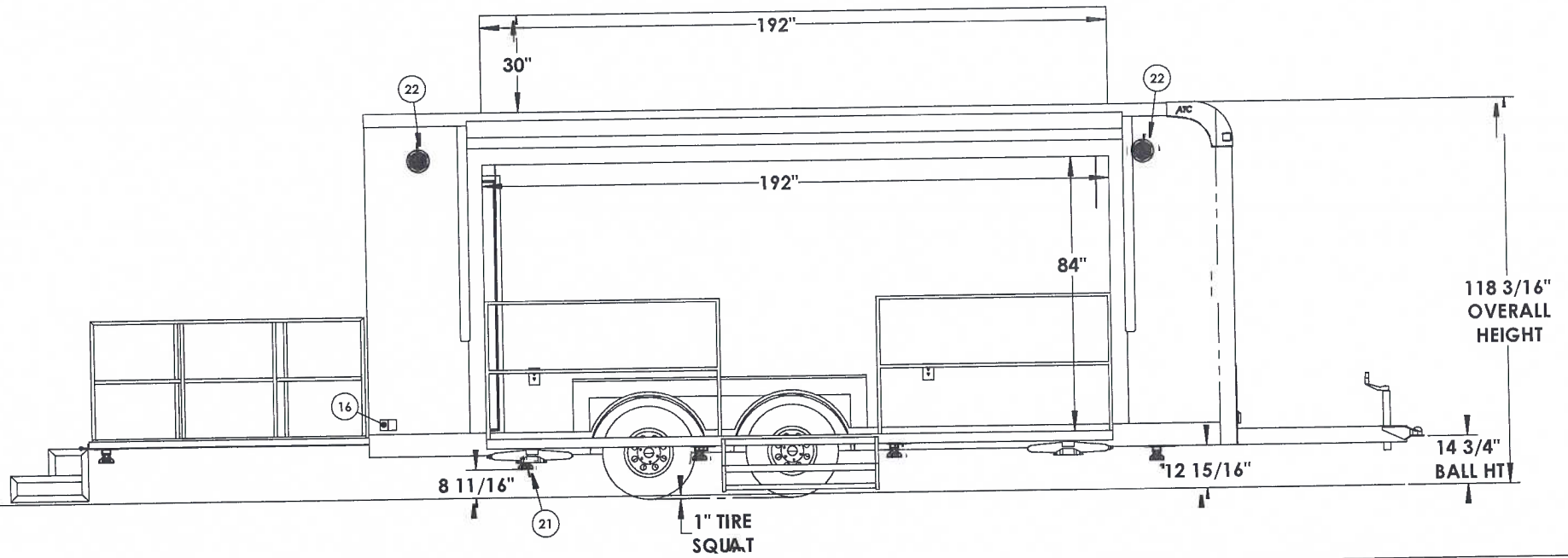
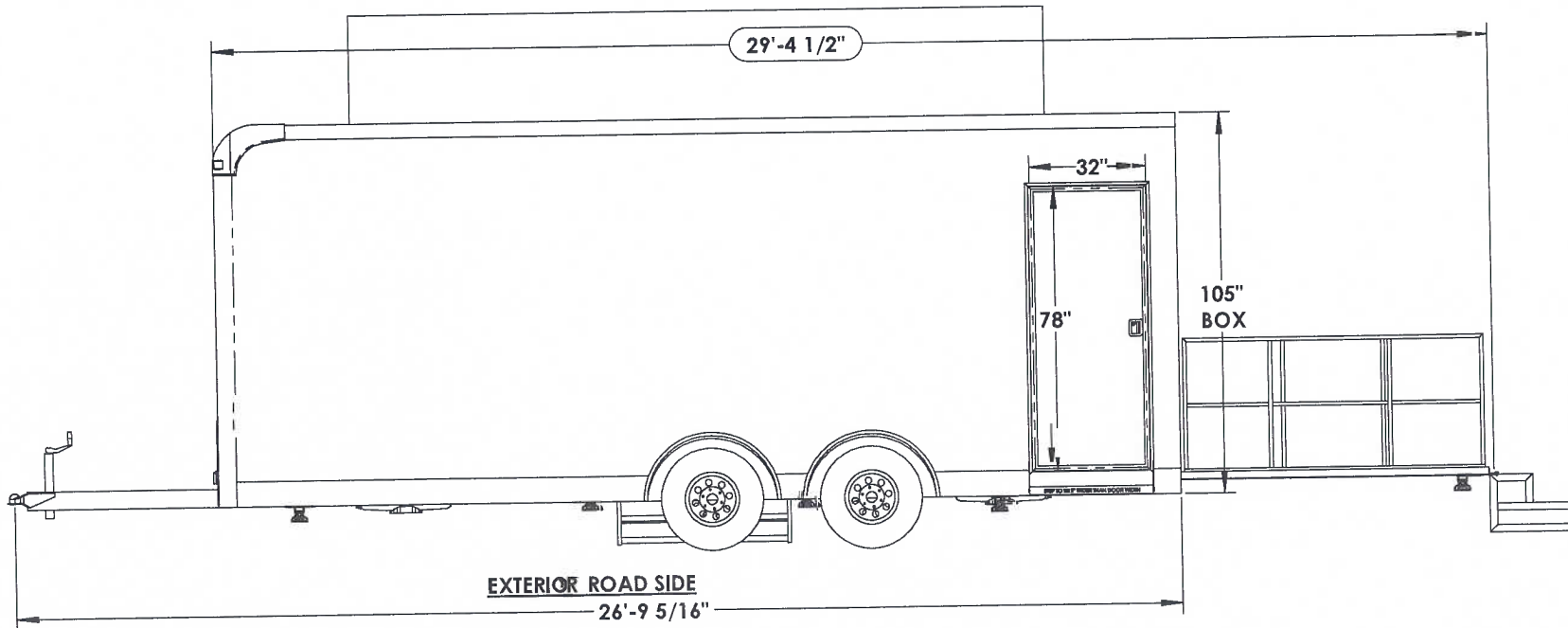


EXTERIOR REAR



INTERIOR REAR
SECTION D-D

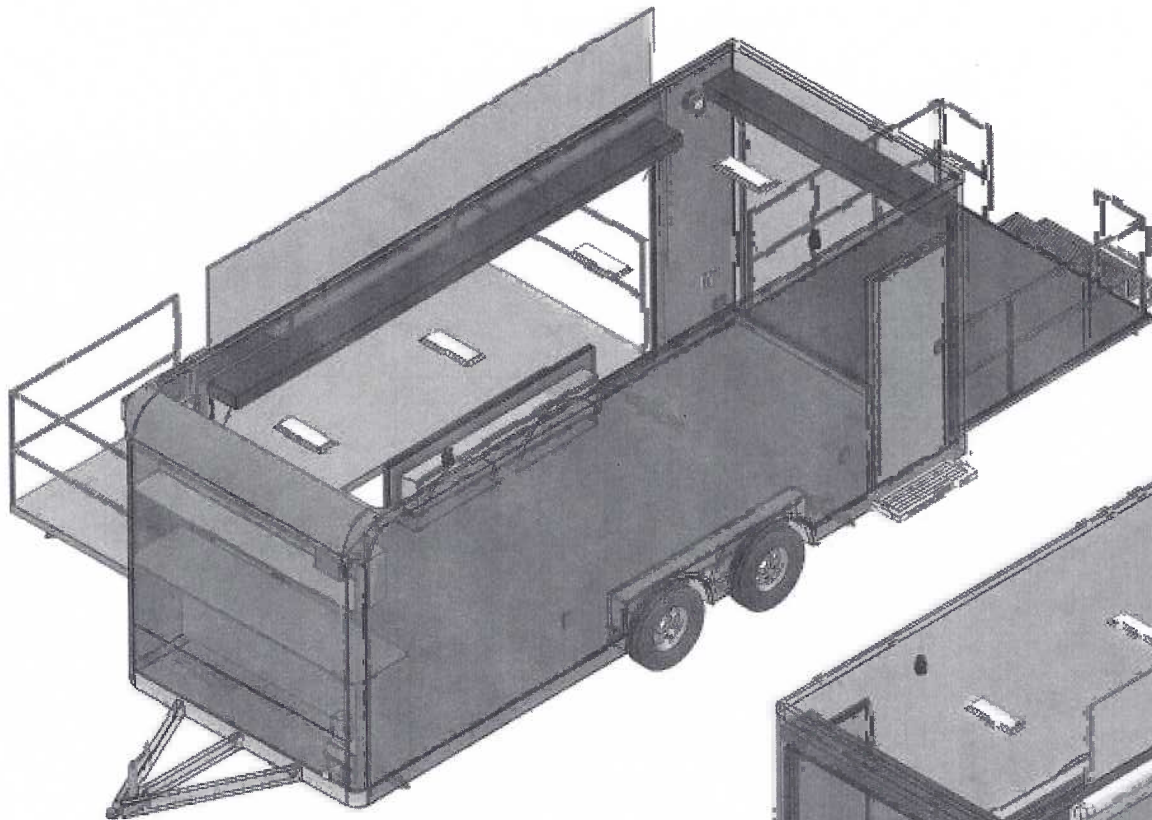
	TITLE: 8.5' x 22' QUEST			REV.
	DRAWN BY: TEH	DATE: 7/31/13	VIN/PART # 195879	D
	FILE NAME: CHSPAX8524-ATC-195879			
	SCALE: 1:24	DATE PRINTED: 8/19/2013	SHEET 3 OF 5	



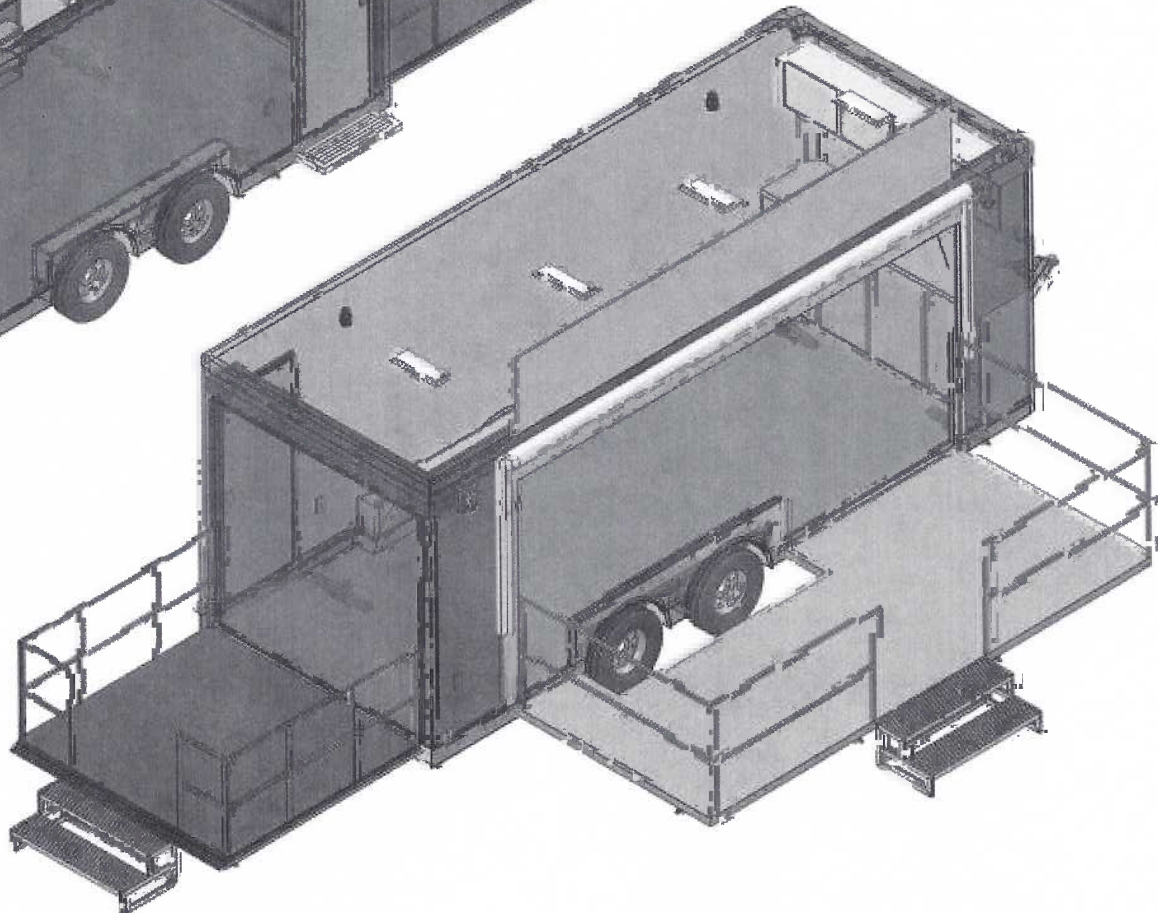
EXTERIOR CURB SIDE



TITLE: 8.5' x 22' QUEST			
DRAWN BY: TEH	DATE: 7/31/13	VIN/PART # 195879	REV. D
FILE NAME: CHSPAX8524-ATC-195879			
SCALE: 1:24	DATE PRINTED: 8/19/2013	SHEET 4 OF 5	



ROAD SIDE VIEW



CURB SIDE VIEW

James Groveau
James Groveau (Aug 21, 2013)

James Groveau

Aug 21, 2013



TITLE: 8.5' x 22' QUEST			
DRAWN BY: TEH	DATE: 7/31/13	VIN/PART # W5879	REV. D
FILE NAME: CHSPAX8524-ATC-195879			
SCALE:1:24	DATE PRINTED: 8/19/2013	SHEET 5 OF 5	