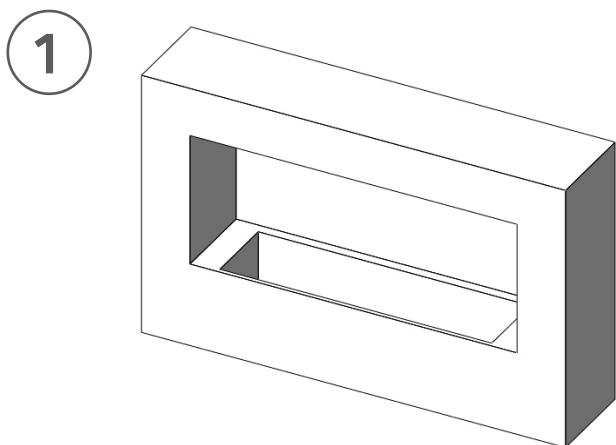


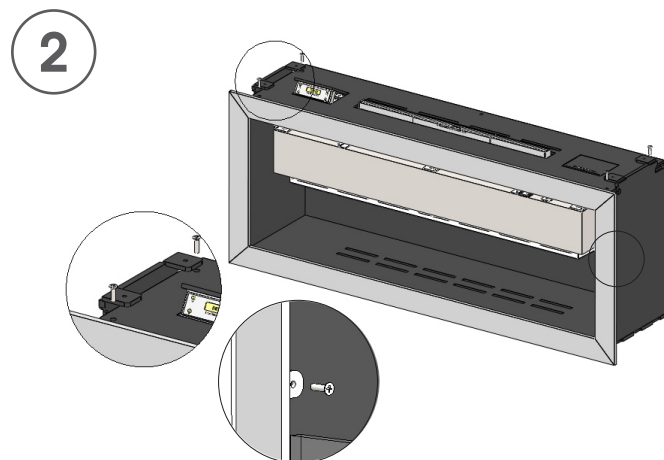
INSTRUCTIONS FOR INSTALLATION – decoflame® Orlando e-Ribbon Fire

The decoflame® Orlando e-Ribbon Fire built-in made to measure bioethanol fireplace can have various layouts, which allow a view of the flames from one, two or even three sides. The drawings shown below show a layout which is open to the front only. Installation details for alternative layouts are described in case they should be different.

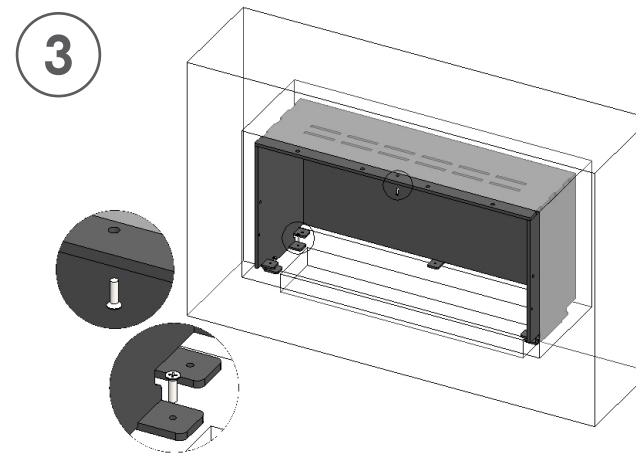
Please make sure you read the manual before you operate the fire!



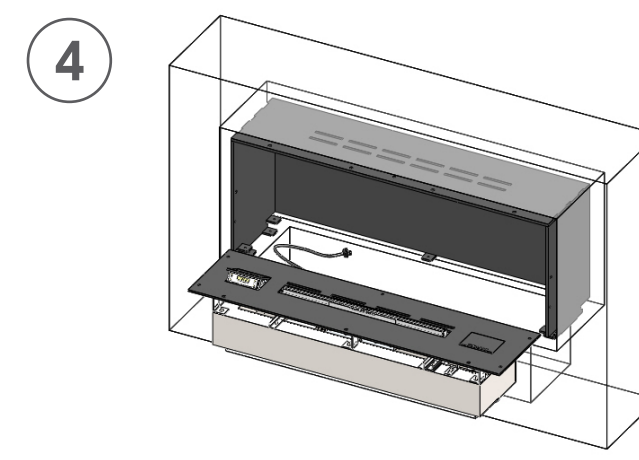
Check that the dimensions of the cut-out are in accordance with the technical drawing provided with the fireplace. All corners of the cut-out must be in a 90° angle and all surfaces in level.



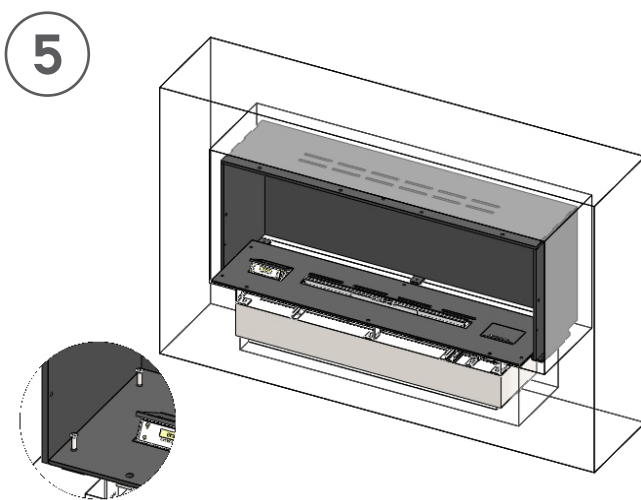
The decoflame® Orlando e-Ribbon Fire has been assembled with its frame and its base plate fitted upside-down in order to stabilise the fire during transit. Unscrew the screws that hold the frame and the base plate fitted to the chassis of the fire. Keep the screws as you will need them in step 4 and step 7 of the installation! Place the base plate carefully on a level surface. Do not tilt it.



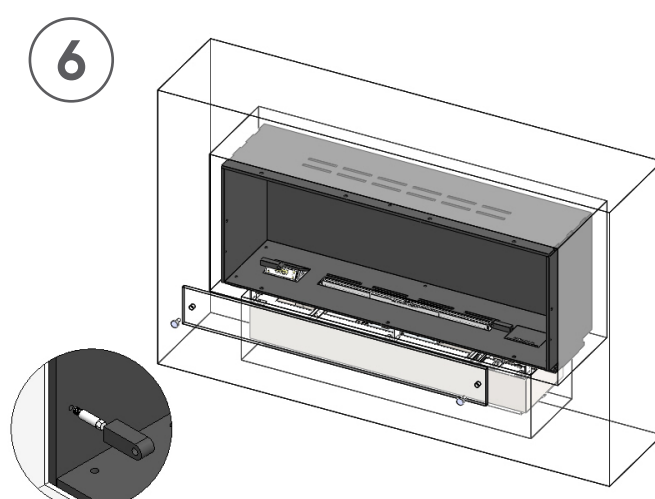
Place the chassis of the fireplace centred inside the wall cut-out resting on the supports to the left and right. Should the Orlando be open to the back and front, make sure that it is also centred from back to front. Fix the roof to the wall structure above and the sides (through the centre lip at the bottom of the sides) to the supports below. Use the three screws contained in a little plastic bag. Use rawlplugs if the wall material and the supports require it.



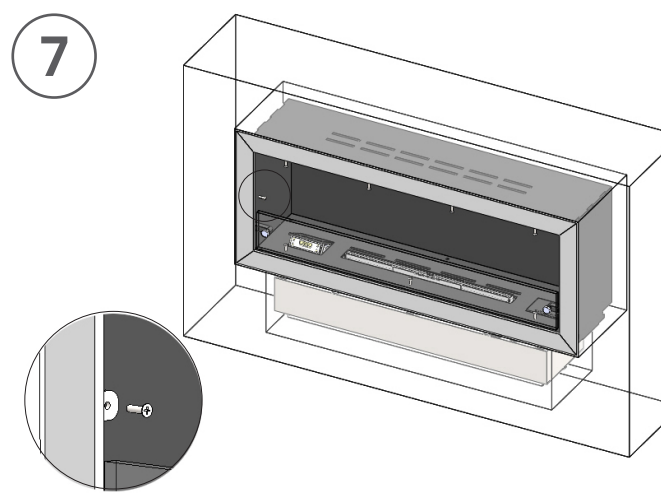
Plug the power cable into the socket (switch socket on, if required). Lift the base towards the cut-out and plug in the cable into the socket placed on the left side of the safety chamber underneath the base plate. Lift into the fireplace taking great care not to kink or trap the cable or to scratch the paint on the sides and back.



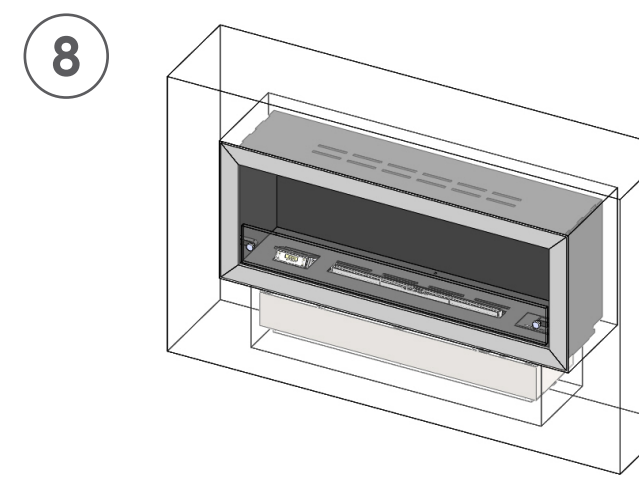
Use the screws you have removed in step 2 above and fix the base plate to the chassis of the fireplace.



Carefully fit the glass screen/s with the finger screws you will find in a little plastic bag.



Using the screws you have removed in step 2 above, fix the frame (frames if the layout of the fireplace is open to more than one side) from inside to the chassis of the fireplace. The frame is supposed to be flush with the surrounding wall surfaces. Make sure there is a 5mm gap between the frame and the surround wall material all the way around.



The fireplace is now installed and ready for use.