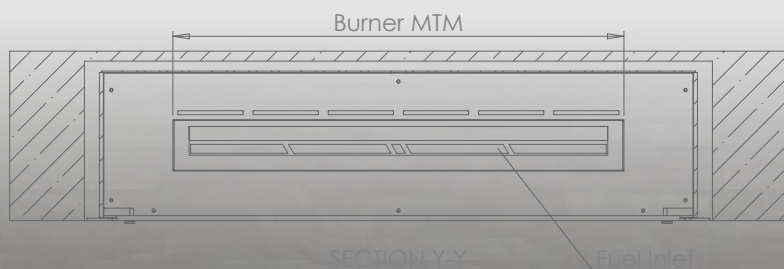
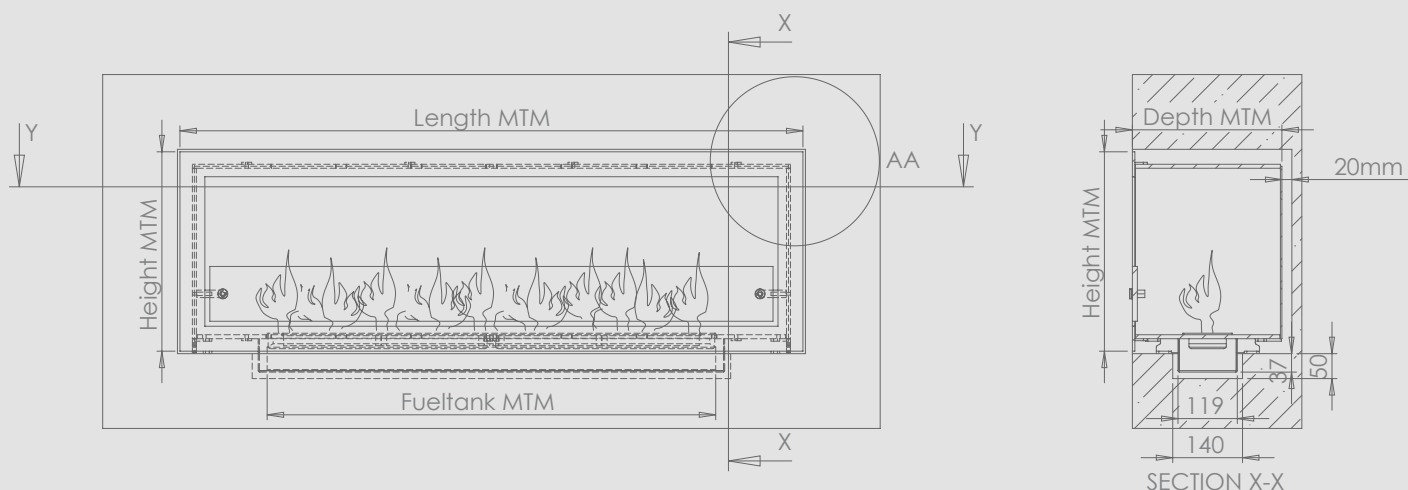
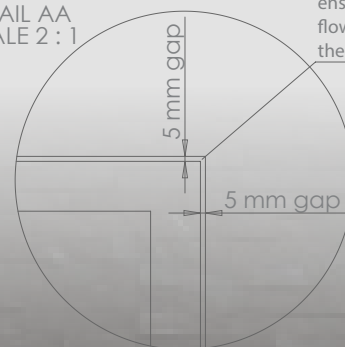


Orlando™ is a made to measure built-in bioethanol fireplace which features a 50mm wide frame. It is available in various layouts: open to the front - open to the front and back - open to the front and back and one side - open to the front and both sides. These variations can be seen on page 5 in this document, where you can also download the 2D autocad drawing of the fireplace.

Optional glass shields complete the sleek, contemporary look.



DETAIL AA
SCALE 2 : 1



In order to cool the fireplace and ensure sufficient air flow DO NOT seal the gap.



FEATURES

- DecoFlame Brushed Stainless Steel Burner
- 8mm aluminium casing and baseplate
- Powder-coated black fine structure
- BSS or Black Frame(s)
- Adjustable flame level
- Safety Chamber
- No chimney required
- Fuel Funnel
- Lighter

OPTIONAL

- Made to measure
- Glass screens
- Brushed Stainless Steel finish
- RAL colors

TECHNICAL INFORMATION

The example illustrated below is an Orlando open to front LxHxD 1250x400x300mm and Burner size: 900mm.

Capacity: 4,6 L

Fuel consumption: 0,5 L/h - 1L/h

Burning time: 5h - 10h

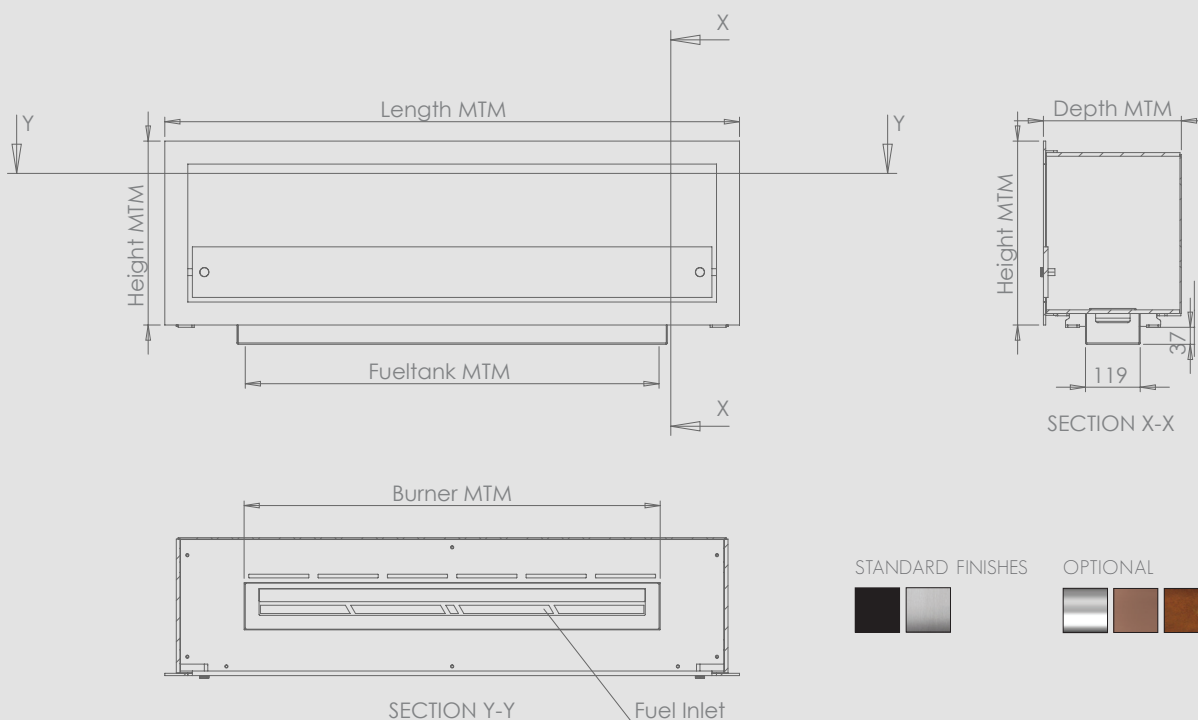
Heat output: 2,3 kW - 4,5 kW

Net weight: 67kg

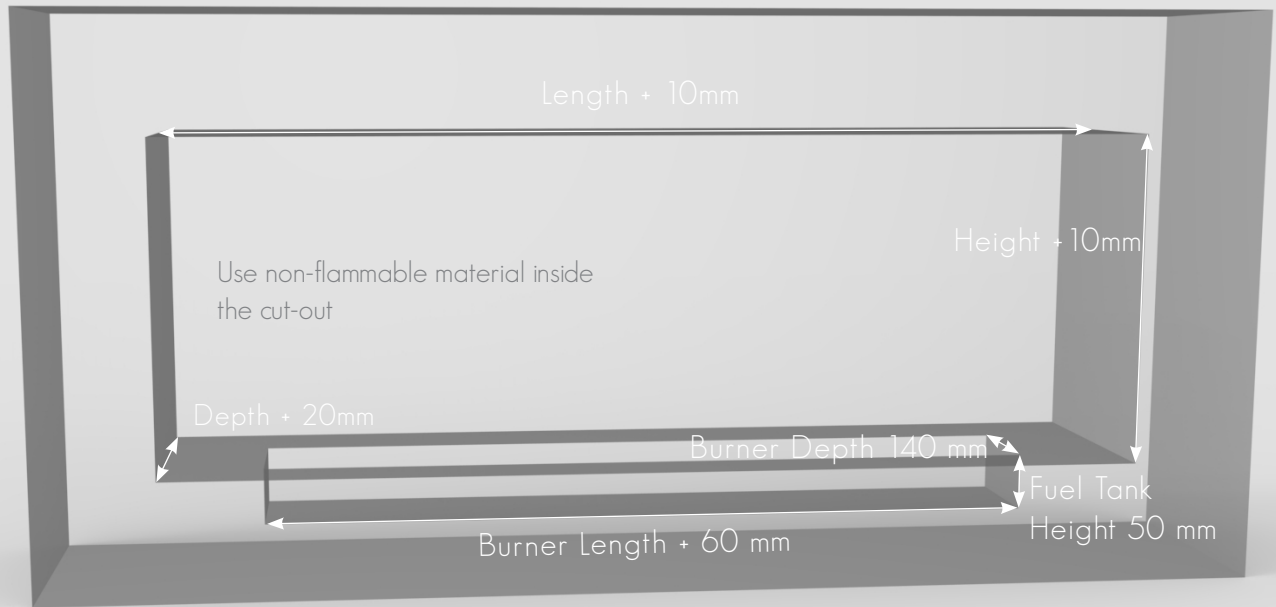
Minimum room size: 90m³

Fuel: 96% - 97% Bio-Ethanol.

Finish: Powder-coated aluminum or brushed stainless steel and optional hardened, optic-white glass



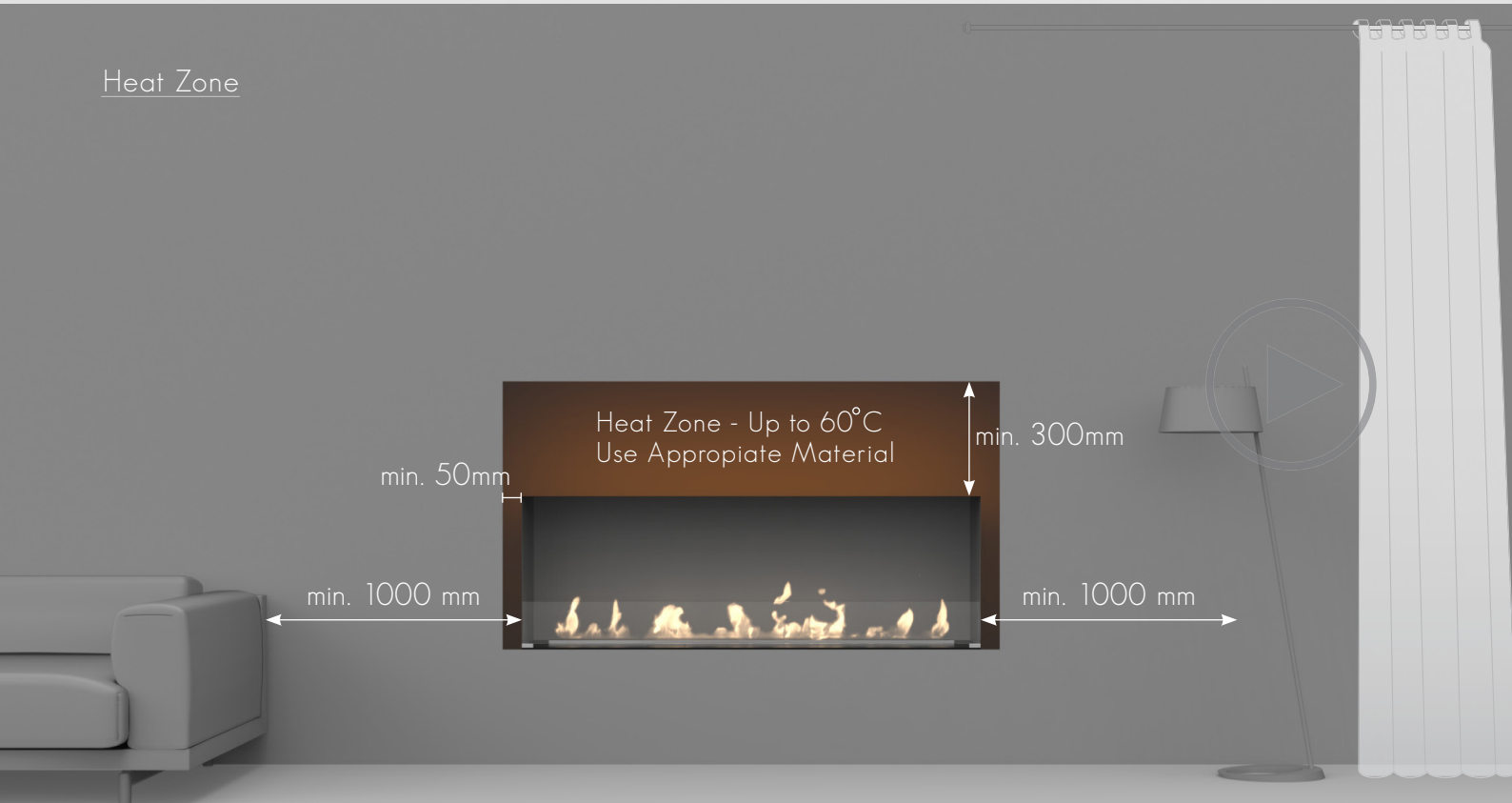
Cut-out dimensions



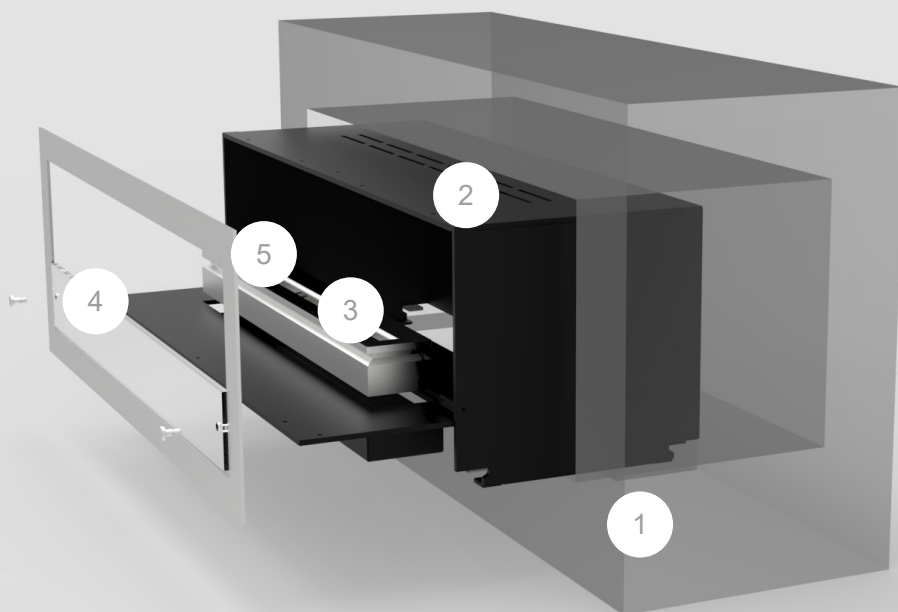
WALL CUT-OUT

Example: Orlando open to front LxHxD 1250x400x300mm and Burner size: 900mm
 The wall cut out will be LxHxD 1260x410x320mm and the recess for the Burner will be LxDxH 960x140x50mm. It is not centered. The distance from the front of the wall to the recess is specified in the drawing for the fireplace.

Heat Zone



Montreal Installation



Step 1: Make sure that the dimensions of the cut-out correspond to the measurements indicated in the technical drawing received with your fireplace. Also be sure there is no draft inside the wall.

Step 2: Recess the fireplace casing into the wall cut-out according to the indications in the User's manual.

Step 3: Carefully lower the burner with baseplate in place and fit the frame. Attach with screws.

Step 4: If the case, attach the glass screen in the glass holders with the glass bolts.

Step 5: Use the funnel to fill up the burner with bioethanol.

Step 6: Start the fireplace with the lighter.

Decoflame strongly recommends installing one or more glass shields in order to protect the flame from draught, while keeping it vivid. Please see below the situations where the glass is optional and where it is mandatory.

Open to front

Mandatory glass



Open to front and back

Optional glass



The wall cut-out for the different types of Orlando can be found in the drawings for the your specific fireplace or in the autocad drawing available for download on this page.

It is imperative to follow the indications in the User's manual concerning the installation of decorative or electronic items above the fireplace.

