

automaticinserts

intelligent fire



© PLANIKA | Ver. 01062017

automatic inserts

Fire Line Automatic 3

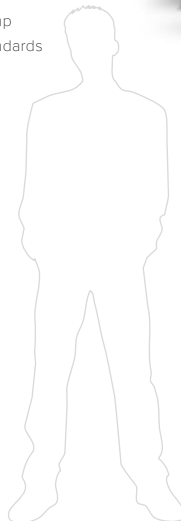
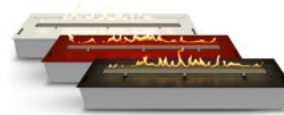
FLA3 in casing A

Perfect solution for architects
WiFi-controlled fireplace

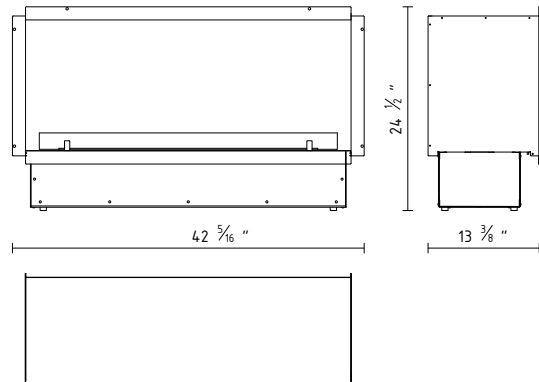


FEATURES:

- BEV* Technology
- No smell / no ash / no smoke
- WiFi (controlled with mobile devices)
- Remote controllable
- Smart Home Systems compatible
- Advanced safety sensors
- Fast Start
- Automatic shutdown in case of errors
- Child Lock
- Sleep timer
- Advanced microprocessor
- LCD display
- Control panel
- Intuitive control
- 6 levels of flame height
- Easy installation
- Bespoke sizes
- Custom finish option
- No additional installation
- No additional ventilation required
- No chimney required
- External wireless temperature sensor
- Electrical connection required
- For indoor use
- Eco-friendly
- Automatic fuel pump
- Certified to UL standards



DIMENSIONS:



* BEV Technology – A patented process resulting in the clean burning of bio-ethanol fuel vapours.

TECHNICAL DATA:

Capacity: 1,74 gal

Burning time: 6 - 12 h

Heat output: 11396 -28490 BTU

Net weight: 121,6 lbs

Air circulation: min. 1/h

Minimum room size:

please contact our Project Department for details

Power supply: 115 V

Finish:

TOP: brushed stainless steel / optional: RAL colours / optional: black powder coated steel,

CASING: black powder coated steel, brushed stainless steel, galvanized steel,

OPTIONAL FRAME: brushed stainless steel,

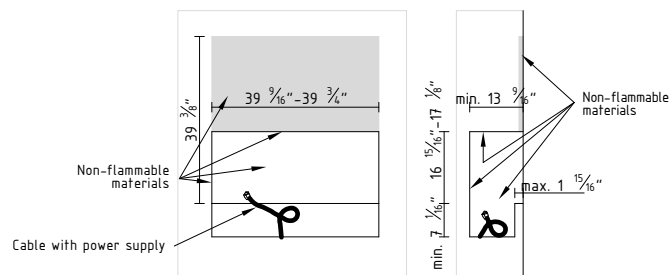
GLASS SHIELD: hardened glass

automatic inserts

Fire Line Automatic 3

FLA3 IN CASING A

INSTALLATION:



INDOOR INSTALLATION REQUIREMENTS:



download [PRODUCT INSTRUCTION](#)