

**USER MANUAL**  
**INSTALLATION GUIDE**



# User Manual

## wall-mounted decoflame® bioethanol fireplace series

### Atlantic

English



**It is imperative that you read this manual before using the product**

**Keep the manual in a safe place for future reference**

## Congratulations on your new decoflame® bioethanol fireplace.

IT IS VERY IMPORTANT THAT YOU READ THE ENTIRE INSTALLATION AND OPERATING INSTRUCTIONS AND ADHERE TO THE SAFETY MEASURES DESCRIBED HEREIN.

DECOFLAME CANNOT BE HELD RESPONSIBLE FOR ANY ACCIDENTS OR DAMAGES CAUSED AS A RESULT OF NON-ADHERANCE TO THESE INSTRUCTIONS.

---

### TABLE OF CONTENT

SAFETY .....	4
POSITIONING .....	6
OPERATING INSTRUCTIONS .....	7
MAINTENANCE .....	8
QUESTIONS AND ANSWERS .....	8
INSTALLATION .....	11
Plasterboard walls.....	11
Concrete / Brick walls .....	12
Wooden walls.....	12
INSTALLATION GUIDE .....	13
ATLANTIC AND ATLANTIC TOWER .....	13
INSTALLATION GUIDE .....	14
ATLANTIC TWIN .....	14
INSTALLATION GUIDE .....	15
ATLANTIC WAVE .....	15
SPECIFICATIONS .....	16
Atlantic .....	16
Atlantic Tower .....	16
Atlantic Twin .....	16
Atlantic Wave .....	16

---

### SAFETY

Naturally, safety is imperative dealing with open fire. All decoflame® fireplaces are designed, manufactured and quality-tested in Denmark with highest product safety and user-friendliness in mind. Our fireplaces feature a unique and design-protected decoflame® burner which is thoroughly tested and its closing mechanism manually adjusted prior to leaving the production line. Please strictly adhere at all times to all safety measures and installation instructions described in this manual.

Your decoflame® fireplace has been technically engineered to offer not only beautiful design but also functionality and safety. **DO NOT** amend, add or omit any parts or components of this fireplace as this will void your warranty.

## **POSITIONING**

Make sure that you install your fireplace in a safe place, which means with a distance of at least one metre (40 in) from furniture, curtains or other inflammable objects (see drawing).

**DO NOT** place any valuable paintings or electronic equipment like *TV screens or speakers* above the fireplace. The warm air from the fire will rise upwards and might damage anything in its way.

**DO NOT** recess any of the Atlantic models into the wall. These fireplace models are *not suited* to be built-in. If in doubt, please call DecoFlame.

Also, chose a position for your fireplace which is not exposed to any draught, as bioethanol is a volatile fluid. In fact, only the vapour of the bioethanol is burning when lit. You should not touch the flames of the lit fireplace or blow into the flames, as this will cause the flames to escape from the fireplace and they will become uncontrollable.

You may use this fireplace in conservatories only if their ambient temperature does never exceed normal room temperature.

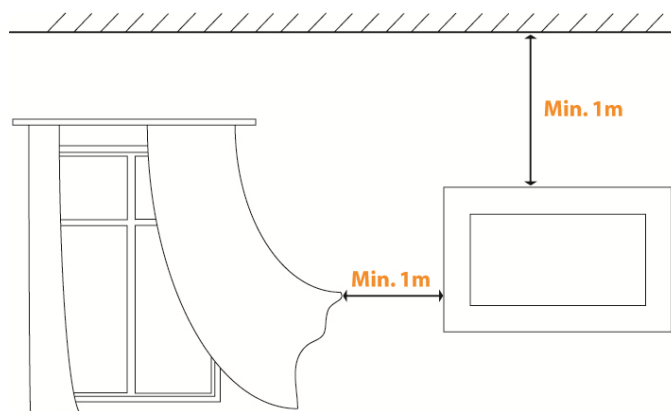
The fireplace must not be used in a room constructed of highly inflammable material.

Always keep a safety distance of at least 30 cm (12 in) from a lit fireplace.

When lit, the surfaces of the upper part of the fireplace will be warm, as the heat is led upwards. **DO NOT** place anything on top of your fireplace.

When choosing a suitable height as position for your fireplace please also consider keeping it out of reach of smaller children and pets.

Do you have children or pets in the home? If so, make sure an adult keeps an eye on them at all times during operation of your fireplace and never leave your fireplace unattended when it is lit.



If in doubt, please contact DecoFlame.

## OPERATING INSTRUCTIONS

**ALWAYS** light and extinguish your decoflame® fireplace in a safe manner. **ONLY** adults may light and extinguish the flames.

All decoflame® bioethanol fireplaces are designed and manufactured exclusively for use with bioethanol of highest purity (at least 96% but not more than 97.5%). **DO NOT** use any other fuel or materials or bioethanol of inferior quality as this will void your warranty.

We supply our own carefully chosen decoflame® bioethanol. Please ask for sourcing options at your fireplace retailer.

Open a bottle of bioethanol and fill the fuel into the burner up to the max. level indicator. You can use a funnel or a pump in order to avoid spilling. We recommend that you refill the burner every time you wish to use the fireplace as this will make lighting it easier.

Never light a fireplace if you have spilled bioethanol outside the burner.

In case of spillage, wipe off any access bioethanol from the burner and surrounding surfaces and empty the safety chamber underneath the burner. Then, wash your hands thoroughly before lighting the bioethanol vapours (**danger of burns to your skin**).

Use a long fireplace match or a fireplace lighter to light the vapours.  
Keep an appropriate distance when lighting the fireplace.

**DO NOT** smoke when filling the burner with bioethanol.

**DO NOT** – under any circumstances – refill the burner when it is in use or still hot from previous use.

**DO NOT** light the burner in case you have overfilled it! Partly empty the burner and the safety chamber underneath from any excess bioethanol.

We recommend that you always let the fireplace burn until the complete bioethanol filling has burnt off. Should you wish to extinguish the fire before the burner is empty, we recommend that you fill the burner with bioethanol up to the max. level indicator before lighting it again. If the burner is half empty or filled lower than the min. level indicator, the bioethanol gas on top of the remaining liquid fills all of the empty space in the burner. If you were to light this "gas accumulation", you would cause a little explosion. Furthermore, it can be difficult to light a burner which is only half full.

Should it be necessary to extinguish the fire before the burner is empty, please **ONLY** use the following method: place the hole in handle supplied with your fireplace on the stud of the burner lid and slide the lid to a closed position by pulling it in a continuous, decisive movement towards you. In this way, the oxygen supply is interrupted immediately and the flames are extinguished. Should you not succeed at the first attempt, do try again until the flames are extinguished. **DO NOT** attempt to blow out the fire!

**IMPORTANT!** Wait around 15 – 20 minutes or until you are certain that the burner has cooled down before you refill it with bioethanol.

The bioethanol must be stored safely and out of reach of children.

**DO NOT** cover the fireplace. **DO NOT** place any inflammable materials or clothes on the fireplace. **DO NOT** place any pebbles or stones on the burner as these will crack and might cause injury or damage to the fireplace. Also, **DO NOT** place any ceramic logs or pebbles on top of the burner as these will increase the combustion temperature, which increases the fuel consumption and might cause undesired micro-particles in the room air.

Ensure that the room in which the fireplace is situated is well ventilated at all times during operation of your fireplace without causing any draught. Please refer to section "Specifications" for recommendations of suitable room sizes for your fireplace.

The metal and glass parts of your fireplace can become hot during use. Avoid contact with those parts to avoid burning.

**DO NOT** mix bioethanol with other fuels.

Always thoroughly follow the instructions on the packaging of the bioethanol.

Bioethanol is extremely flammable.

Avoid contact with eyes and skin.

We recommend that people with breathing problems or asthma keep a window opened during the use of their bioethanol fireplace.

Avoid draughts, as this can cause soot formation and increases the fuel consumption.

## **MAINTENANCE**

The surface of the inner metal sheet at the back of the fireplace can change slightly with time due to exposure to the heat of the fire which leads to a slight change in colour or structure. This is to be considered normal wear and tear and does not constitute a product flaw or fault. We recommend cleaning the back with a dry sheet of kitchen paper towel followed by a well-wrung wet lint-free cloth.

The burner is made of brushed stainless steel. You can clean it with a household detergent or kitchen paper towel to which you apply a small quantity of bioethanol or another alcohol-based product.

## **QUESTIONS AND ANSWERS**

### **1. Where can I position the bioethanol fireplace?**

You may position the fireplace anywhere, as no chimney or flue is required. For example, you



could place it in your flat, house, holiday home – or in your office. See section "Positioning" for more details.

## **2. Is any kind of approval required?**

It is important that you are aware of any local rules and regulations which might apply to the use of bioethanol fireplaces. The model series decoflame® "New York", "Atlantic" (excluding Atlantic Twin and Atlantic Wave) and "San Diego" have been tested and approved by **SP** Sveriges Tekniska Forskningsinstitut, which apply the strictest requirements in the marketplace.

## **3. Is it difficult to install a decoflame® fireplace?**

For all Atlantic models, you just need basic DIY skills, and follow the installation instructions described herein using fixing utensils suitable for the wall you intend to hang the fireplace onto.

## **4. Is the fireplace ready for use after unpacking?**

Once it is placed and fitted safely in accordance with the instructions given herein, the only thing you need to add is bioethanol. You need to be aware, however, that **SP** Sveriges Tekniska Forskningsinstitut recommends fitting of a fire-resistant plate between the fireplace and the wall. See section "Installation Guide" for more details.

## **5. What is the best way to light the fireplace?**

Use long fireplace matches or fireplace lighters.

## **6. Is bioethanol dangerous?**

Bioethanol is neither dangerous to humans nor the environment and it is biodegradable. Bioethanol is alcohol which is made by means of fermentation of organic, sustainable and environmental-friendly raw materials such as corn, potatoes and sugar cane. This alcohol is then denatured, i.e. made unfit for human consumption. During combustion, water vapour and carbon dioxide are created. Only the gas of the bioethanol burns, and bioethanol changes its condition from liquid to gas form at around 15°C (59°F). The bioethanol gas is heavier than air, so it will always remain on top of the surface of the liquid bioethanol. Make sure that you keep the fuel in a safe place out of reach of children.

Denatured Bioethanol is classified as a Flammable Liquid Class 1B (for Flammability) and Class 3 PGII (for Transportation) and is regulated by various standards around the world. You must familiarise yourself and comply with these regulations in order to safely and legally store, handle, decant and use this fuel.

## **7. Is it dangerous to inhale the gas that is developed during combustion?**

When burning, bioethanol is dissolved into not much else but water vapour and CO<sub>2</sub> (carbon dioxide). As the combustion temperature of your decoflame® bioethanol fireplace lies below 400°C, there are not any other harmful substances (like aldehyde) released which usually occur at combustion temperatures of over 700°C. Always make sure that the room in which the fireplace is situated is well ventilated (without causing a draught) in order to ensure a sufficiently high level of oxygen (i.e. a good quality of your room air) during operation of the fireplace – as fire consumes oxygen.

## **8. In which quantities is bioethanol supplied?**

decoflame® bioethanol is available in various container sizes. In order to facilitate filling of the

burner you should fill a smaller container with bioethanol and use this for pouring the liquid into the burner using a funnel to avoid spillage. Alternatively, using a battery-driven pump has proven helpful.

**9. What is the burning duration of one litre of bioethanol?**

Between 2-8 hours, depending on the model of fireplace, the room ventilation and setting of the flame intensity.

**10. Does the fireplace give off much heat when in use?**

The heat efficiency of the decoflame® Atlantic Series fireplaces varies between 2-6 kW/h – of which 100% remain indoors (compared to a traditional wood-burning fireplace). Nonetheless, our fireplaces are designed mainly for decorative purposes - they should only be considered a *supplement* to any primary heating source.

**11. Can paper and wood be used as fuels on the decoflame® fireplace?**

No, you may *only* use bioethanol – we recommend of at least 96.5% purity - in the burner.

**12. How can the flame be extinguished when the fireplace is lit?**

Ideally, and as recommended, you allow *all* of the bioethanol in the burner to be burnt. Should you extinguish the fire at a time when there is still bioethanol left in the burner, please **ONLY** use the following method for models ***Atlantic, Atlantic Tower and Atlantic Twin***: place the hole in handle supplied with your fireplace on the stud of the burner lid and slide the lid to a closed position by pulling it towards you in *one decisive continuous* movement. If you wish to extinguish your ***Atlantic Wave***, please remove the magnetic lid from its position underneath the burner and place it on top of the burner to extinguish the flames. Do not leave the lid there, but place it back underneath the burner. You can close the burner later with the lid once it has cooled down.

**13. What shall I do if I have overfilled the burner?**

**DO NOT** light the burner! Lift the burner out of its safety chamber (wear rubber gloves and reach into the burner opening grabbing its top plate) and empty part of the bioethanol into a container (bucket, bowl or similar – you can discard it into the toilet or kitchen sink and flush it away with water as it is only alcohol) until the burner is only filled up to the max. level indicator. Dry off any bioethanol from the top and the outside of the burner. Then use kitchen paper to dry off any liquid from the safety chamber. Re-insert the burner into the safety chamber. Remove the rubber gloves and light the burner.

## INSTALLATION

In order to install any Atlantic series model, only basic DIY skills are required. Please make sure you only use wall plugs and screws made of metal and suited for the type of wall onto which the installation will take place.

When installing your decoflame® Atlantic wall-hung fireplace you will need:

Power drill

Spirit level

Tape measure

Drill (suitable for the type of wall onto which you wish to hang the fireplace)

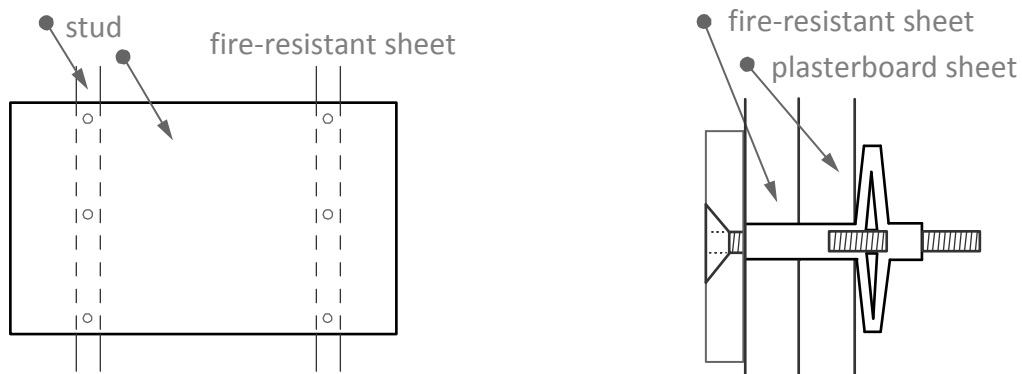
Rawlplugs/expansion bolts/butterfly screws and matching screws for the type of wall

Please follow *those* instructions below which apply to *the* type of wall onto which you wish to fit your fireplace.

---

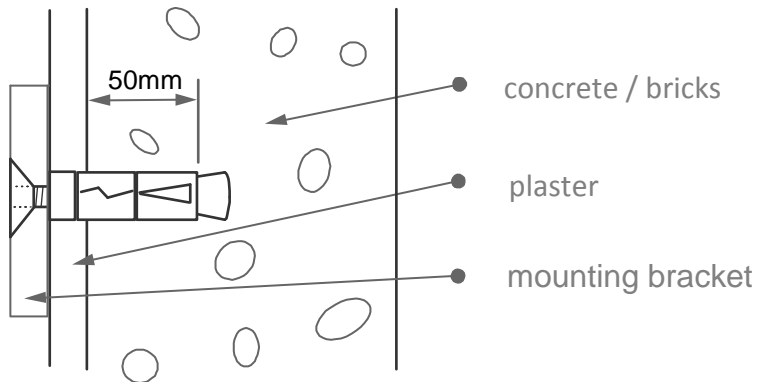
### Plasterboard walls

For installation in accordance with the Swedish Norm SP034, please fit a plate of fire-resistant material (e.g. Delignit) behind the fireplace. This plate has to be fitted to the studs which run behind the plasterboard sheets with screws which penetrate the studs by at least 45mm. Now use butterfly screws in order to fit the mounting bracket onto the wall and anchor them behind the plasterboard sheet. Each of those butterfly screws must be able to bear 50kg.



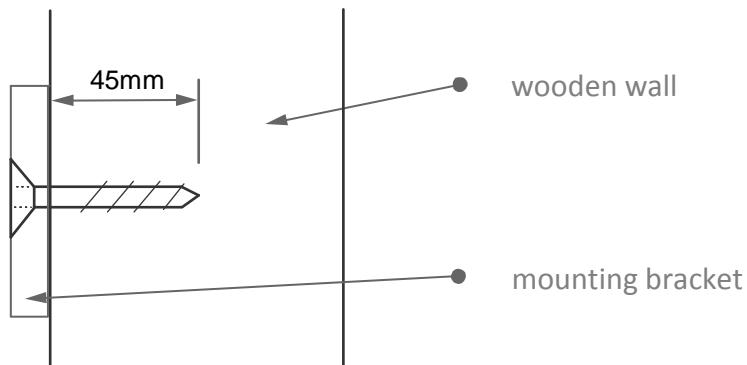
## Concrete / Brick walls

Use stainless steel expansion bolts. Their anchor must reach at least 50mm into the concrete or brick wall (excluding any plaster). Each bolt must be able to bear 50 kg.



## Wooden walls

The screws have to penetrate the wooden construction by least 45mm. Each screw must be able to bear 50 kg.



**IMPORTANT:** Use **ONLY** metal fixing devices.



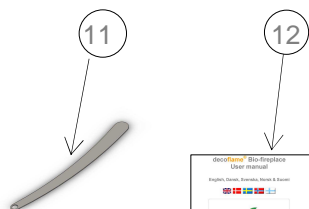
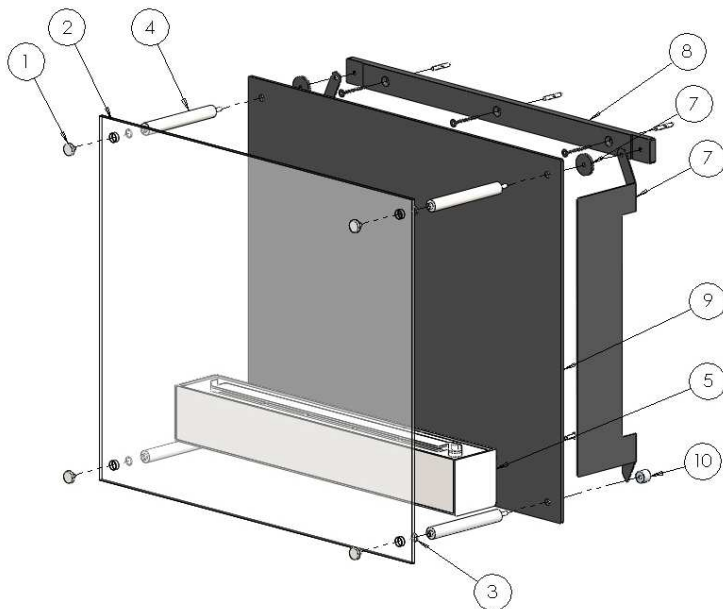
# Atlantic Series

## INSTALLATION GUIDE ATLANTIC AND ATLANTIC TOWER

Before you start installation of your fireplace, please check that the packaging is intact and that all parts as listed below are included.

### Contents of the box:

1. Screw-on caps for steel studs (4)
2. Glass screen, 6mm hardened glass (1)
3. Rubber O-rings (4)
4. Brushed stainless steel studs (4)
5. Burner situated in safety chamber, and slider lid (1 each)
6. Back plate (black aluminium) (1)
7. . Installation in Norway or Sweden: side covers (2). Installation elsewhere: black washers (2)
8. Mounting bracket (1)
9. Bolt screws with washers (2 each)
10. Distance pieces (2)
11. Handle for Slider (1)
12. User Manual (1)



### Installation of Atlantic and Atlantic Tower

1. For each countersunk hole in the mounting bracket first mark perfectly in level and thereafter drill five holes into the wall. Use for the type of wall suitable metal rawplugs/butterfly screws/ expansion bolts to fit the bracket.
2. Use the screws and washers to fix the safety chamber onto the back plate. Take two of the stainless steel studs and fix them through the bottom holes of the back plate with the two distance pieces. Use the remaining two stainless steel studs to fix both side covers (for installation in Norway and Sweden) and the back plate to the mounting bracket by screwing them through the top holes in the back plate into the holes in the mounting bracket. For installation in all other countries, please use the two black washers instead of the side brackets. Do not force those studs into the threaded holes! Do not screw them in completely but leave them slightly loose.
3. Place the burner inside the safety chamber and its slider lid on top of it - the little stud facing to the right. Slide rubber O-rings onto the four stainless steel studs, place the glass screen onto the studs resting it on the O-rings and fix with the screw-on caps without tightening them completely. Now tighten the upper studs left and right. Tighten the screw on caps. Should you find that a hole in the glass screen seems out of place, unscrew the relevant stud slightly which will help fitting the glass screen.

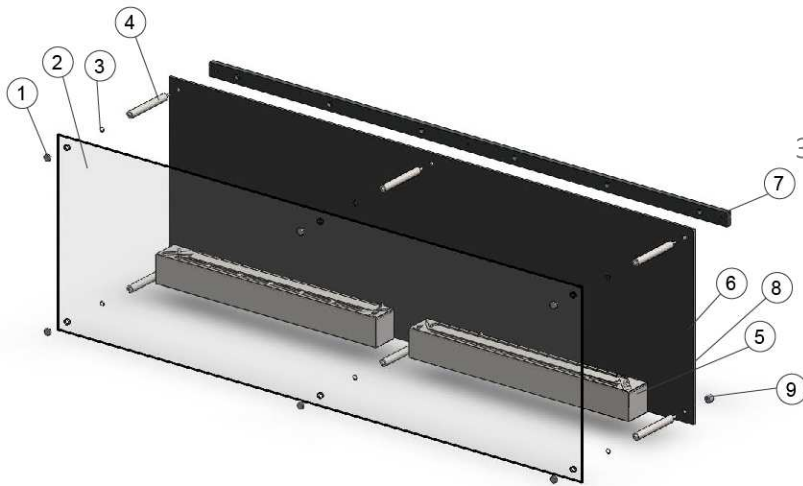
## INSTALLATION GUIDE

### ATLANTIC TWIN

Before you start installation of your fireplace, please check that the packaging is intact and that all parts as listed below are included.

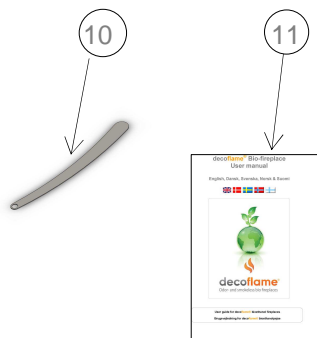
#### Contents of the boxes:

1. Screw-on caps for steel studs (6)
2. Glass screen, 6mm hardened glass (1)
3. Rubber O-rings (6)
4. Brushed stainless steel studs (6)
5. Burner situated in safety chamber, and slider lid (2 each)
6. Back plate (black aluminium) (1)
7. Mounting bracket (1)
8. Bolt screws with washers (4 each)
9. Distance pieces (3)
10. User Manual (1)
11. Handle for Slider (2)



### Installation of Atlantic Twin - Best done by two people -

1. For each countersunk hole in the mounting bracket first mark perfectly in level and thereafter drill five holes into the wall. Use for the type of wall suitable metal rawlplugs/butterfly screws/expansion bolts to fit the bracket.
2. Use the screws and washers to fix the safety chambers onto the back plate. Take three of the stainless steel studs and fix them through the bottom holes of the back plate with the three distance pieces. Use the remaining three stainless steel studs to fix the back plate to the mounting bracket by screwing them through the top holes in the back plate into the holes in the mounting bracket. Do not force those studs into the threaded holes!
3. Place the burners inside the safety chamber and their slider lids on top of them - the little studs facing to the right. Slide rubber O-rings onto the six stainless steel studs, place the glass screen onto the studs resting it on the O-rings and fix with the screw-on caps. Should you find that a hole in the glass screen seems out of place, unscrew the relevant stud slightly which will help fitting the glass screen.



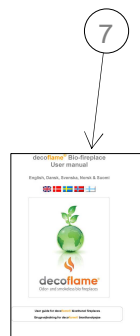
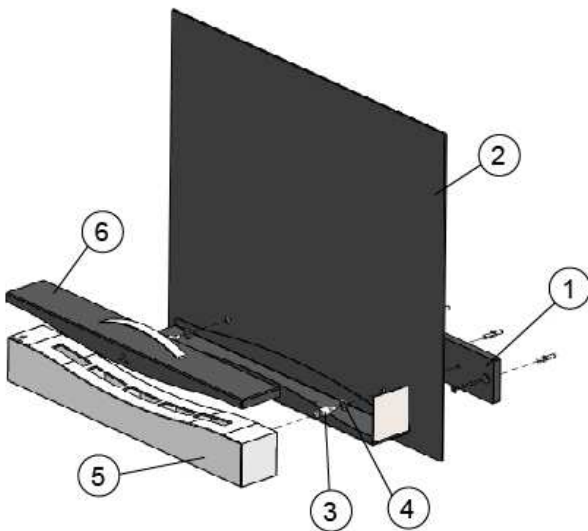
## INSTALLATION GUIDE

### ATLANTIC WAVE

Before you start installation of your fireplace, please check that the packaging is intact and that all parts as listed below are included.

#### Contents of the box:

1. Fixing Bracket (1)
2. Black glass screen (1)
3. Stainless steel bolt screws (2)
4. Fibre washers (2)
5. Burner (1)
6. Burner lid (1)
7. Manual (1)



#### Installation of Atlantic Wave

1. For each countersunk hole in the mounting bracket first mark perfectly in level and thereafter drill five holes into the wall. Use for the type of wall suitable metal rawlplugs/butterfly screws/expansion bolts to fit the bracket.
2. Use the two bolt screws and washers (in front of the glass screen) to fix the glass screen through its two holes onto the mounting bracket.
3. Take the burner and fit its two hollow stainless steel studs over the two bolt screws. The two washers are now between the metal of the hollow studs and the glass screen. Fix this connection carefully without over-tightening with the two enclosed screws.
4. Place the lid on top of the burner.

## **SPECIFICATIONS**

### **Atlantic**

**Room volume:**

Min. 56m<sup>3</sup>

**Heat Efficiency:**

Max. 3 kW

**Burner volume:**

3.5 litres of bioethanol. Only use bioethanol of at least 96% for decoflame® fireplaces.

**Burning duration:**

One burner filling will last around 4 – 8 hours, depending on flame intensity and air flow.

**Approval:**

Tested and approved by **SP** Sveriges Tekniska Forskningsinstitut.

### **Atlantic Tower**

**Room volume:**

Min. 40m<sup>3</sup>

**Heat efficiency:**

Max. 2 kW/h

**Burner volume:**

2.5 litres of bioethanol. Only use bioethanol of at least 96% for decoflame® fireplaces.

**Burning duration:**

One burner filling will last around 4 – 8 hours, depending on flame intensity and air flow.

**Approval:**

Tested and approved by **SP** Sveriges Tekniska Forskningsinstitut.

### **Atlantic Twin**

**Room volume:**

Min. 100m<sup>3</sup>

**Heat efficiency:**

Max. 8 kW/h

**Burner volume:**

2 x 3.5 litres of bioethanol. Only use bioethanol of at least 96% for decoflame® fireplaces.

**Burning duration:**

One burner filling will last around 4 – 8 hours, depending on flame intensity and air flow.

### **Atlantic Wave**

**Room volume:**

Min. 40m<sup>3</sup>

**Heat efficiency:**

Max. 7.2 kW/h

**Burner volume:**

4 litres of bioethanol. Only use bioethanol of at least 96% for decoflame® fireplaces.

**Burning duration:**

One burner filling will last around 4 – 8 hours, depending on flame intensity and air flow.





**decoflame**®  
*burning inspiration*

For more info please visit [www.decoflame.com](http://www.decoflame.com)

or contact Decoflame at [info@decoflame.dk](mailto:info@decoflame.dk)