

# CONTENT

ENTER THE WORLD OF DECOFLAME® FIRES.

03

## INTRODUCTION

Introduction to decoflame®, bioethanol and bioethanol burner safety.

11

## E-RIBBON FIRE

The next generation within bioethanol fire places.

15

## MANUAL BURNER

The original decoflame® bioethanol burner.

17

## ARCHITECTS

Decoflame® architects line consisting of all made-to-measure fireplaces.

37

## ARCHITECTS SPECIFICATIONS

Data sheets with details about decoflame® made-to-measure fireplaces.

51

## DESIGN

Decoflame® design line consisting of floor models, ceiling- and wall mounted models.

65

## DESIGN SPECIFICATIONS

Datasheets with details of all decoflame® designer fireplaces.

# DECOFLAME®

WORLDWIDE



## HEAD OFFICE

Decoflame Aps  
Stenholm 14  
9400 Nørresundby  
Denmark  
tel. +45 9630 4800  
info@decoflame.dk  
www.decoflame.com

For a list of international dealers visit  
[www.decoflame.com](http://www.decoflame.com)

## PASSION

*We bring passion to everything we do. Our passion is what creates the magic our customers experience. Through our genuine commitment and expertise, we help our customers to realise their dreams providing the highest possible level of customer service.*

## PRIDE

*We are proud of creating products of emotional appeal, highest quality and safety and set new standards of performance. By taking pride in everything we do, we ensure that we continue to bring our customers magical experiences.*

## PERSISTENCE

*We are persistent in our dedication to excellence and our commitment to build a healthy and sustainable business. We do this by leveraging focus and resolve to turn our raw ambition into truly magical experiences for our customers.*

“WE STRIVE FOR HIGHEST PRODUCT QUALITY, FUNCTIONALITY AND SAFETY”

KJELL THOMSEN, CEO DECOFLAME

Committed to exceptional design and quality, the Danish craftsman and designer Kjell Thomsen created his first range of bioethanol fireplaces in 2007. Today, the brand decoflame® is world renowned for its distinctive range of high quality bioethanol fires which combine technological excellence with highest product safety and functionality - a synonym for Danish Design and Craftsmanship.

All decoflame® bioethanol fires are designed, lovingly hand-crafted and tested in Nørresundby near Aalborg, Denmark, where the highly qualified staff of Decoflame pride themselves in manufacturing at the cutting edge of new design and technology to deliver the very best product features without any compromise on quality and safety.

decoflame® products are sold mainly by an extensive, independent retail network in a larger number of countries.

Besides standard bioethanol fireplace models for the home and office environment, Decoflame applies its expertise and design competences in creating made to measure built-in bio fireplaces for luxury property developments, private homes as well as for the hospitality sector.



# BIOETHANOL

## THE GREEN ALTERNATIVE

### BIOETHANOL IS DENATURED ALCOHOL

Bioethanol - or simply 'ethanol' is a renewable energy source made by fermenting the sugar and starch components of organic matter - mainly sugarcane, potatoes, and crops like grain. Depending on the agricultural structures of the producing country, it might also be made from milk, corn, rice, banana, grapes or even dates.

Today, bioethanol has many uses: Blended with petrol it makes transport fuel more sustainable, the cosmetics-, medical- and food industries use it in their production processes, and – last but not least – used in decoflame® fireplaces, it creates a clean burning, beautiful lively flame.

### CLEAN EMISSION

As bioethanol is entirely composed of biological products, its combustion results in a clean emission of only water vapour and carbon dioxide.

Carbon dioxide or CO<sub>2</sub> is absorbed by plants. It is then processed via photosynthesis to help the plant grow. This infinite cycle of creation and combustion of energy – in a way a recycling of energy - makes bioethanol a carbon-neutral fuel.

### EFFICIENT GREEN ENERGY

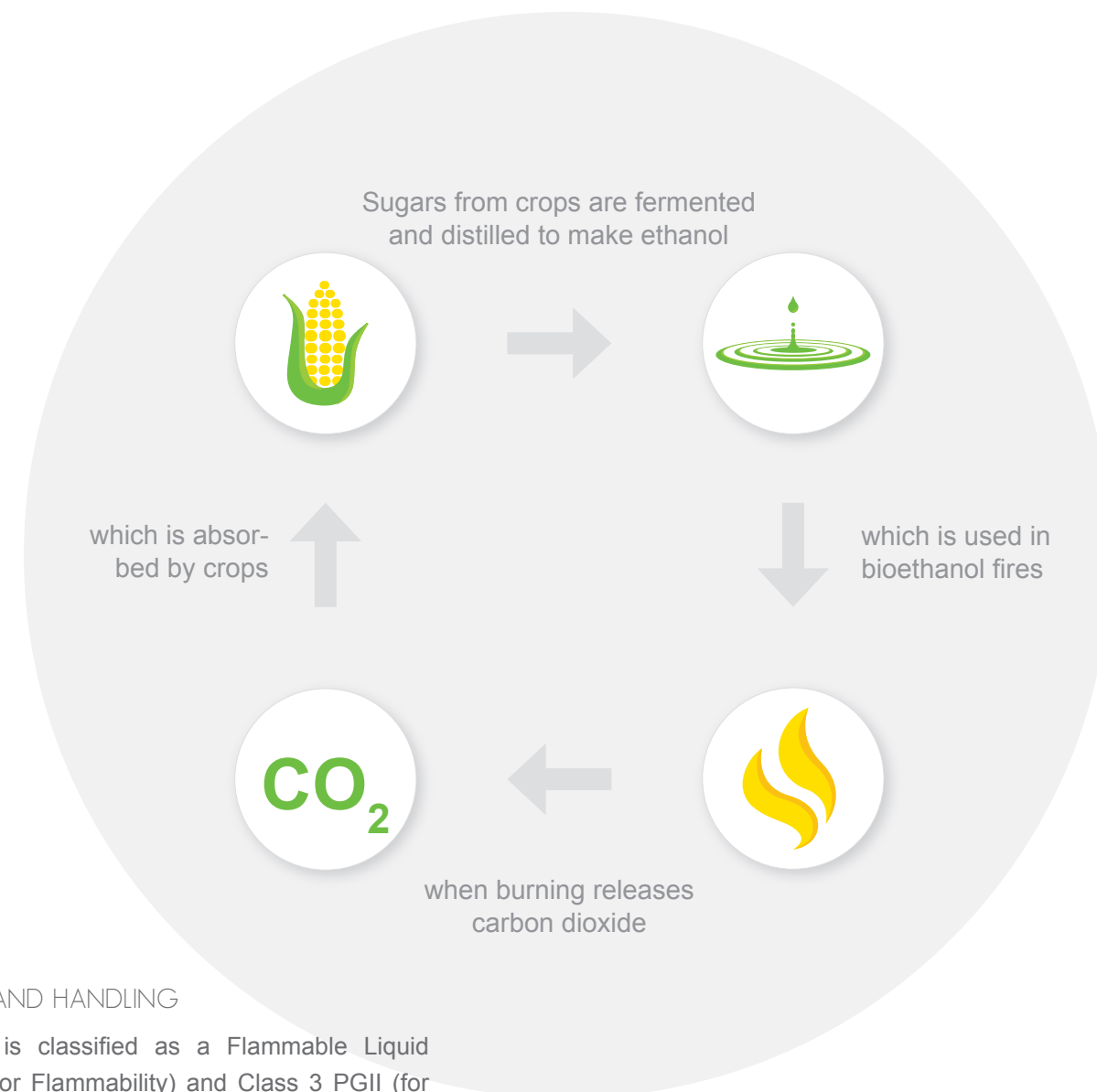
Due to the clean combustion of bioethanol, neither a flue nor a chimney are needed for decoflame® fires – all heat created is kept indoors. That is what makes bioethanol fires highly effective and efficient.



No chimney



No smell



### STORAGE AND HANDLING

Bioethanol is classified as a Flammable Liquid Class 1B (for Flammability) and Class 3 PGII (for Transportation) and is regulated by various standards around the world.

Before operating a decoflame® bioethanol fire, please familiarise yourself and comply with these regulations in order safely and legally to store, handle, decant and use this fuel.

### ETHANOL VS DENATURED ETHANOL

In line with various global regulations bioethanol of 100% purity cannot be sold in order to avoid human consumption.

Ethanol is therefore denatured with varying substances for retail purposes. It might be traded under names like Denatured Ethanol, Methylated Spirits, Denatured Alcohol, and others.

### BIOETHANOL AND DECOFLAME® FIREPLACES

All decoflame® fireplaces can be operated only with bioethanol of at least 96% but max. 97.5% purity. We recommend decoflame® bioethanol, which has an alcohol percentage of 96.5%.

For more information on bioethanol or where to buy it, please contact us or visit:

[www.decoflame.com](http://www.decoflame.com)

# SAFETY

## A DECOFLAME® PRIORITY

### SAFETY OF DECOFLAME® BIOETHANOL FIRES

Mixing a liquid combustible, fire and people can be dangerous. Therefore, we have designed all decoflame® fires with a maximum of user safety and intuitive operational processes in mind. A wide selection of our fireplaces is tested and certified by SITAC to ensure optimum safety.

### SAFE TO OPERATE

Designed with functionality and consumer safety at our heart, all decoflame® fires are thoroughly stress tested in our manufacturing line.

The manual decoflame® burner features safety symbols/markings providing clearly understandable advice for safe operation of the product. The electronically controlled decoflame® e-Ribbon Fire includes a highly developed safety system which ensures that dangerous user errors during operation of the fire are ruled out.

Regardless whether manual or highly advanced electronically controlled burner, all decoflame® fireplace models come with a comprehensive User Manual in which every aspect from decanting the fuel, lighting the flame, regulating the flame to extinguishing the flame has been explained in order to provide peace of mind and facilitate a safe operation of the fire.

### YOUR SAFETY IS OUR NUMBER ONE PRIORITY

As for all types of fireplaces, it is important to adhere to safety aspects when operating bioethanol fires. It is therefore essential to take the time to familiarise oneself with the safety procedures associated with using a decoflame® fire and to educate other users of the appliance on bioethanol fireplace safety.

This type of fire technology is not well known and therefore we recommend that owners diligently induct any potential user of their fireplace to ensure everyone is aware of the potential hazards associated with using bioethanol as combustible.

### CREATING THE FUTURE

Through our participation as member of the European Expert Panel which has been working on the creation of a European Standard for bioethanol fires, we have not only been able to gain a unique insight in chemical and physical processes around bioethanol fires, but have also contributed significantly to the future safety of consumers operating bioethanol fires. With knowledge gathered from our work with biochemists and experts throughout the industry, we are able to create the safest bioethanol fires on the market, offering unique solutions for any fireplace application.



# E-RIBBON FIRE™ TECHNOLOGY

FOR ELECTRONICALLY CONTROLLED FIREPLACES

In 2012, Decoflame introduced the decoflame® e-Ribbon Fire™ - an electronically controlled ethanol burner featuring patented CEVB Technology (Controlled Ethanol Vapour Burning). This highly advanced combustion system allows controlling the fireplace by remote control or as an option via iPhone, iPad or iPod (WiFi) using an intuitive operating panel/display providing easily understandable settings and feed-back messages.

This cutting-edge technology was originally developed for the hospitality sector as an alternative to the decoflame® manual burner in made-to-measure fireplaces like the Montreal™ and Orlando™ – but it is also available as an independent model as Denver e-Ribbon Fire™.

Its patented CEVB technology enables the user to control the flame intensity - thus the heat output – over six levels, and this independently of the fuel level inside the tank. A greater tank volume compared to a manual burner makes frequent refilling unnecessary.

Intuitive operation via the operating panel/display, the radio-frequency remote control or even via iPad, iPod or iPhone (as optional extra) provide a highly user-friendly approach. Also android phones can be

used to operate the fire, once the WiFi connection has been set-up by computer or an Apple device.

Equipped with safety features like spillage- and temperature sensors, which will trigger an auto-cut-off response when activated, the decoflame® e-Ribbon Fire offers complete peace of mind for owners of hotels, restaurants and alike, where operating personnel might shift frequently.

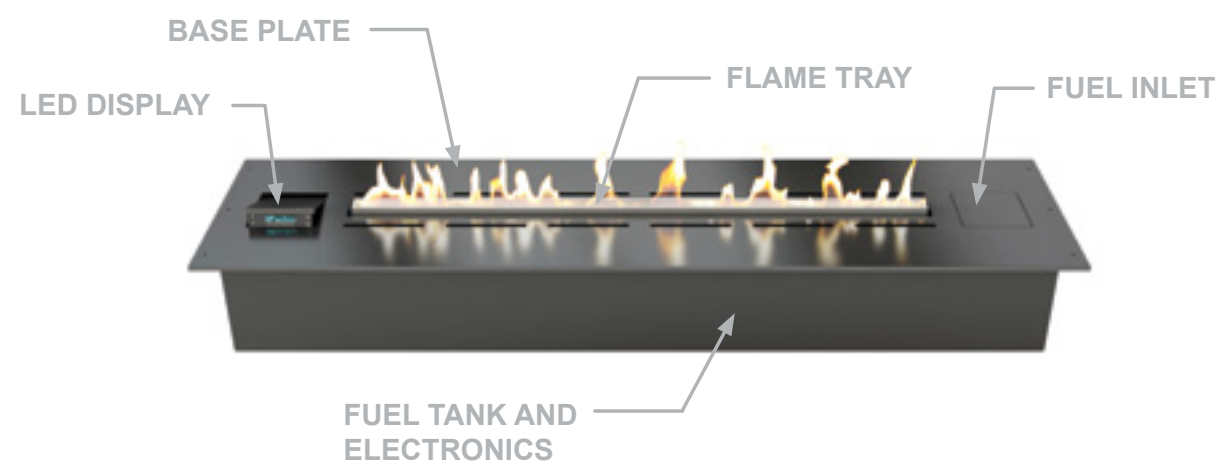
## TECHNICAL FEATURES

- Remotely controllable
- \*Controllable with iPhone/iPad/iPod (via WiFi)
- 6-step flame regulation
- LED with information about operating status and fuel level
- \*CO or CO<sub>2</sub> detection with auto-cut-off
- System leakage sensor with auto-cut-off
- \*TV-temperature-sensor with auto-cut-off
- Fuel tank of several litres

\*optional features







#### THE NEW GENERATION

Available as part of the versatile range of decoflame® made to measure built-in bioethanol fireplaces, the decoflame® e-Ribbon Fire allows a unique adaptation to customers' needs and ideas. Whether a Denver e-Ribbon Fire™ is used to create a focal point in the centre of a room or a Montreal e-Ribbon Fire™, open to front and back is allowing a view of mesmerising flames from two adjacent rooms – any form of layout, design and finish can be brought to life with a decoflame® e-Ribbon Fire™.

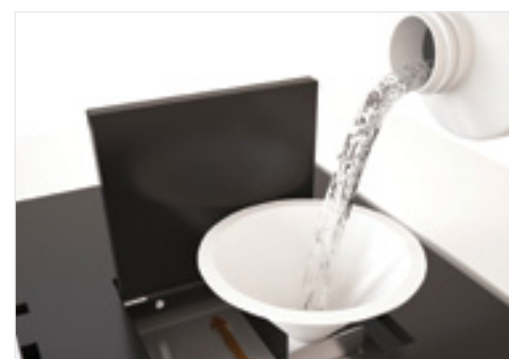
#### DESIGN CONSTRUCTION

All fireplaces including decoflame® e-Ribbon Fire technology consists of:

- Flame tray (customisable size)
- Base plate (customisable size)
- Two pop-up lids containing display and fuel inlet
- Fuel tank and electronics

(not visible once the appliance is installed)

All fireplaces using the decoflame® e-Ribbon Fire technology can be customised to any desired dimensions.



#### EASY TO FILL

The remotely controlled decoflame® e-Ribbon Fire™ is ideal for applications in public spaces like restaurants, hotels, spas and office buildings where operating personnel usually varies and continuity in ease of operation is essential. With a large fuel tank able to hold several litres of bioethanol, the decoflame® e-Ribbon Fire™ can burn for hours on one tank filling.



#### EASY TO OPERATE

A user-friendly operating panel/display and a remote control provide easily understandable settings and feed-back messages.

Controlling the fire via WiFi by means of an iPhone, iPad or iPod, the user is able to adjust the flame intensity, check the fuel consumption, fuel level and heat output, pre-set a timer and of course turn the fire on and off.

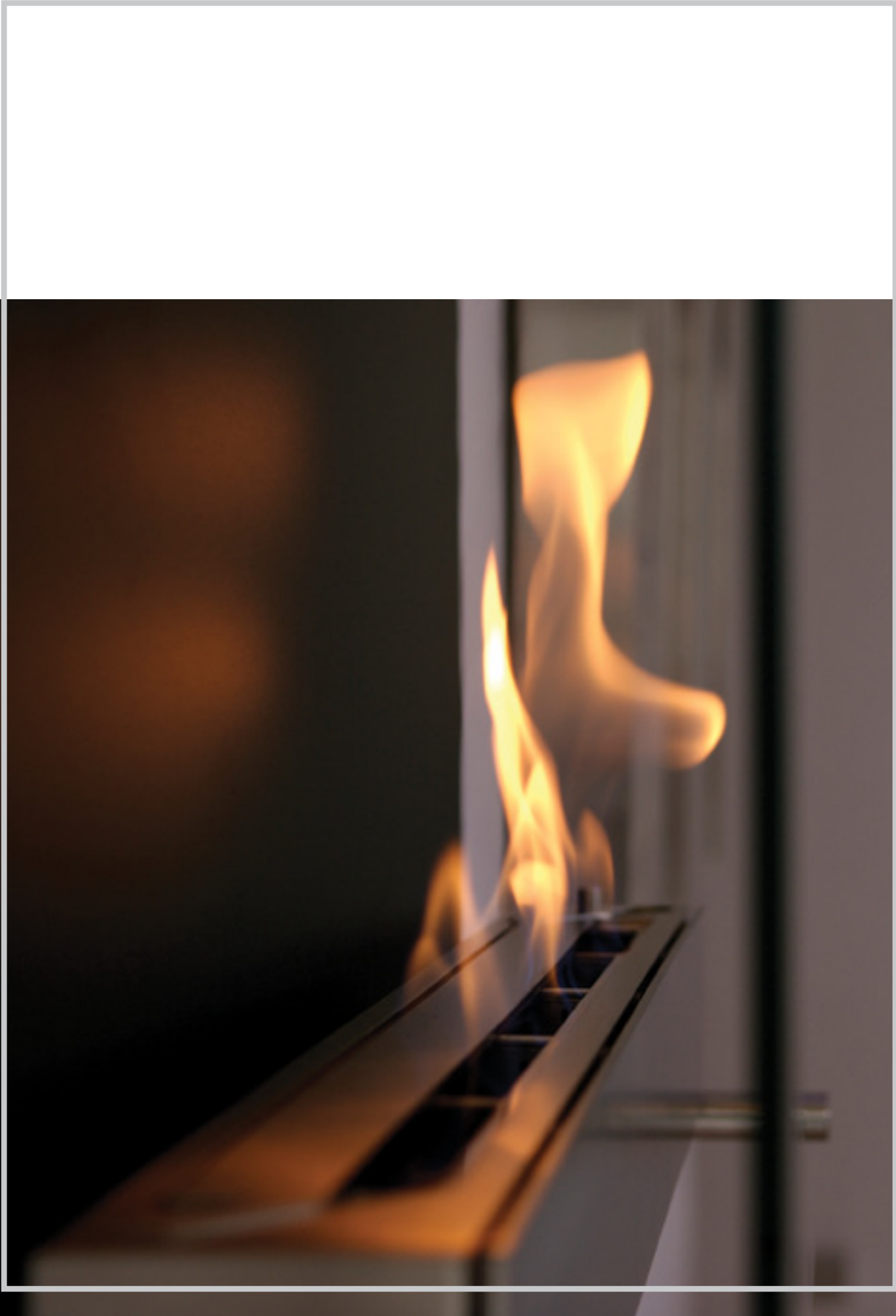


#### EASY INSTALLATION

Fires featuring the decoflame® e-Ribbon Fire™ technology can be installed almost anywhere, e.g. built-into walls or as part of a furniture – as long as the surrounding surface is made of nonflammable material.

Bioethanol as a fuel makes a flue or chimney superfluous – all it needs is a power supply, as long as the suitable room size/heat output ratio is taken into consideration.





# DECOFLAME® MANUAL BURNERS

In comparison to most bioethanol burners, all manual decoflame® burners offer a characteristic and uniquely wide, ribbon-like flame display – even though several burners might be placed adjacent to each other.

Every single component of a manual decoflame® burner is made of 304 grade stainless steel - it looks beautiful, is very durable and will last a lifetime. Technically designed and manufactured entirely in Denmark, decoflame® burners match any expectancy with regards to consistent quality craftsmanship.

All decoflame® burners are tested and manually tuned in the factory in order to guarantee all-times functionality and safety. The unique closing mechanism allows a smooth operation which will never jam.

## OPTIMUM FUEL EFFICIENCY

Our manual burners are designed to provide the characteristic ribbon-like flame display which fills the greatest part of the fireplace opening. At the same time, their fuel consumption and thus running costs can be efficiently controlled using their integrated regulatory system. Their technically engineered design secures an ideal combustion temperature at which the emission of harmful micro-particles is avoided.

## QUALITY, SAFETY, RELIABILITY

When quality, design, reliability and safety count, decoflame® is the brand of choice and has been specified by many world-renowned architects and designers.



“PAIRING THE CREATIVITY OF ARCHITECTS AND DESIGNERS WITH DECOFLAME’S EXPERTISE IN BIOETHANOL FIRES IS A MATCH MADE IN HEAVEN.”

LOUISE CAMPBALL, ARCHITECT

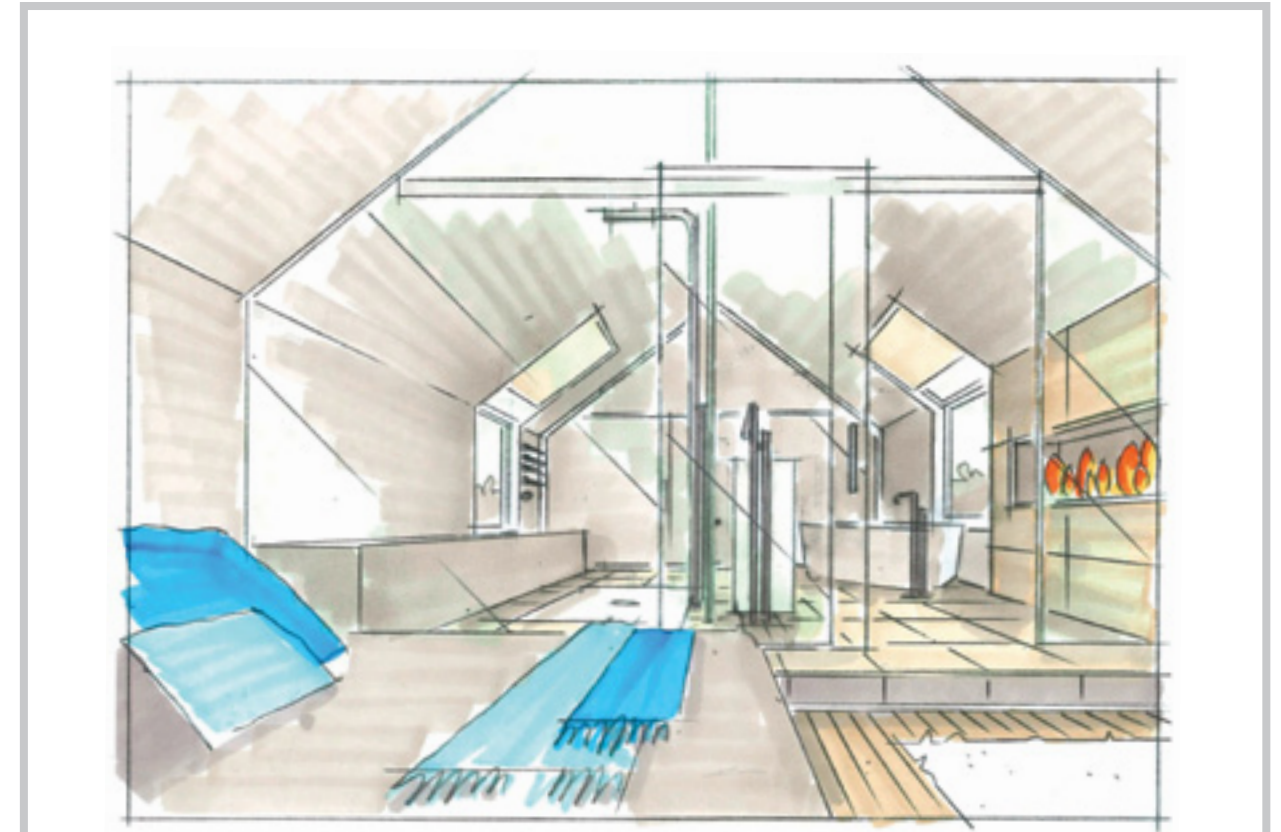
## ARCHITECTS LINE

DECOFLAME® MADE-TO-MEASURE  
BIOETHANOL FIREPLACES

With the special needs of architects and interior designers in mind, we have created a unique, high-quality made-to-measure range of built-in bioethanol fires. A wide variety of layouts, features and finishes offers creative freedom when adding a warm and stunning focal point to traditional and modern housing. Without the need for a chimney, flue or bearing wall, application possibilities for decoflame® bioethanol fireplaces are countless.

Whether choosing the beautifully crafted manual decoflame® burner or the elaborate e-Ribbon Fire™ technology as the ‘source of flame’, their characteristic seamlessly wide flame display is guaranteed to wow any viewer.

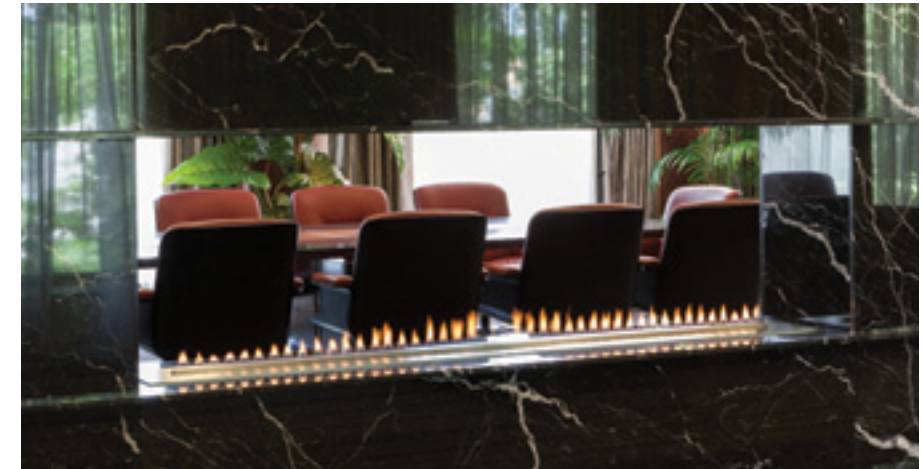
Our architects line is all about co-creation and the possibilities are countless.







*Denver e-Ribbon Fire™ S in high-gloss white with glass to the front, installed in a furniture.*



*Denver e-Ribbon Fire™ F with 2200mm flame tray installed in a marble setting in Moscow.*







*A collaboration between Decoflame and the Danish manufacturer of HiFi-furniture, Clic, resulted in this installation incorporating a Denver e-Ribbon Fire™ S in white.*



*The Montreal™ e-Ribbon Fire™ S, open to front and back, visually combines bath- and bedroom.*



*This Montreal™ e-Ribbon Fire™ F is open to the front and left, with lightning installed behind the base plate for an extra intense expression.*





*This Montreal™ in high-gloss black is open to the front and left side and with an angled e-Ribbon Fire™ S.*





*A Montreal™, open to front and back, with a manual burner can open up the space between two rooms.*



*An Orlando e-Ribbon Fire™ F in a restaurant in Copenhagen.*



*A Montreal e-Ribbon Fire™ F open to front and back, with with a lower and full-height glass screen.*





*An Orlando e-Ribbon Fire™ S with brushed stainless steel frame creates relaxing hours in front of the fire.*



*An Orlando™ with manual burner and black frame creates an inviting atmosphere in a cottage.*





*The Westminster e-Ribbon Fire™ offers a modern twist to a classic fireplace setting.*



*The Montreal™, open to front and back, with a manual burner as room divider.*



*A Westminster e-Ribbon Fire™ with beige sandstone mantelpiece in a traditional setting.*



Brighten up the evening with a row of Denver e-Ribbon Fire™ Round.



Denver e-Ribbon Fire™ Round in different locations are a beautiful sight day or night.





---

# ARCHITECTS SPECIFICATIONS

---



Denver e-Ribbon Fire Round™



Denver e-Ribbon Fire™



Montreal™



Orlando™



Westminster™



Milano™



Westminster DS™



# DENVER E-RIBBON FIRE™ F / S

The decoflame® Denver e-Ribbon Fire™ is part of the made to measure range of decoflame® bioethanol fires. Its simple layout makes it versatile and adaptable for a large variety of fireplace applications.

Offering a maximum of creative freedom and in addition to the classic linear form, the Denver e-Ribbon Fire™ can be sculptured in various shapes e.g. along an in- or outside corner, in a U-bend or like an elegantly meandering wavy curve.

Glass shielding to one or more sides of the decoflame® Denver™ are optional for some types of applications – in most cases, however, strongly recommended.

The Denver e-Ribbon Fire™ with CEVB Technology (Controlled Ethanol Vapour Burning) comes with a radio-frequency remote control which allows an adjustment of the flame intensity on six levels. Alternatively, operating the fire via an iPhone/iPad/iPod is possible if a WiFi-Adapter is chosen as optional extra.

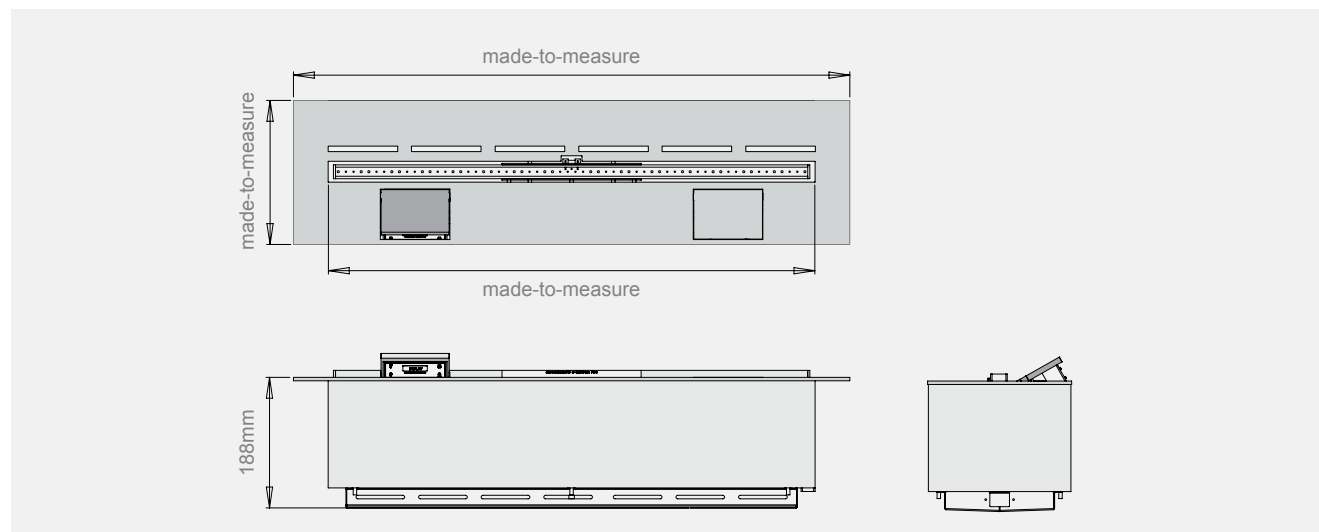
DENVER E-RIBBON FIRE™ S



DENVER E-RIBBON FIRE™ F



<b>Materials</b>	Powder-coated steel or brushed stainless steel and hardened, optic-white glass	
<b>Min. dimensions (WxHxD)</b>	Denver e-Ribbon Fire S:	900x250x188mm
	Denver e-Ribbon Fire F:	700x250x188mm
<b>Flame tray size</b>	500 - 5000mm	



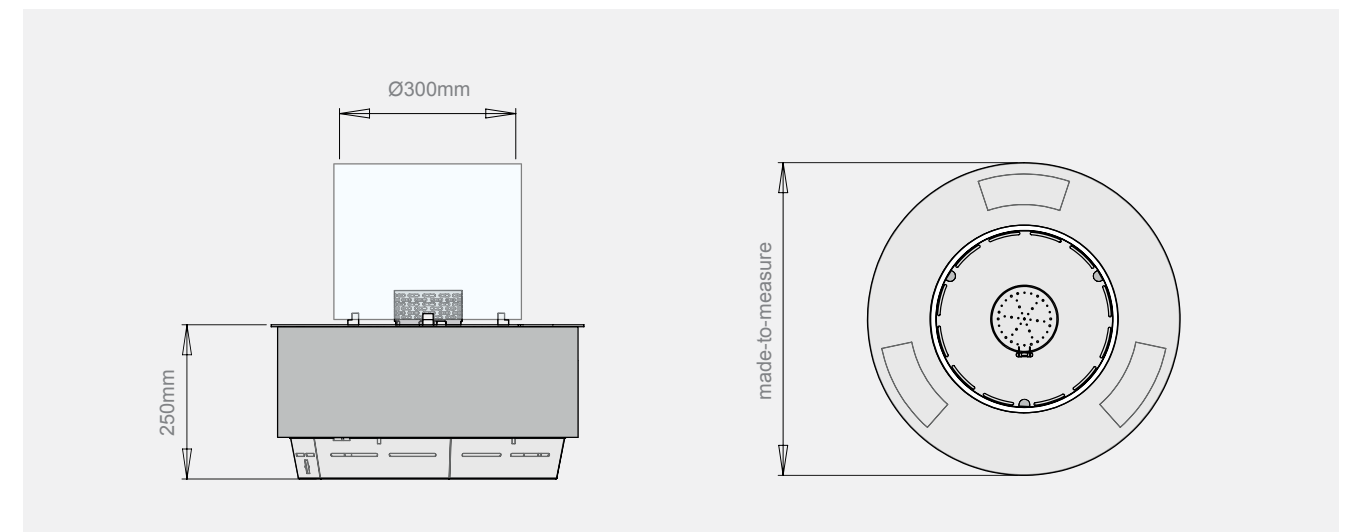
# DENVER E-RIBBON FIRE™ ROUND

The Denver e-Ribbon Fire™ Round is one of the smallest, most versatile electronically controlled fires in the decoflame® range of indoor fire models. Although smaller in size, it incorporates all technical features of a decoflame® e-Ribbon Fire™ in linear shape.

The lively moving flames, which are reflected in the beautiful stainless steel finish of the base plate, are surrounded by a toughened glass cylinder of 10mm thickness.



<b>Materials</b>	Powder-coated steel or brushed stainless steel and hardened, optic-white glass	
<b>Min. dimensions (DxH)</b>	Ø530x250mm (excl. glass)	
<b>Flame tray size</b>	Ø85mm	



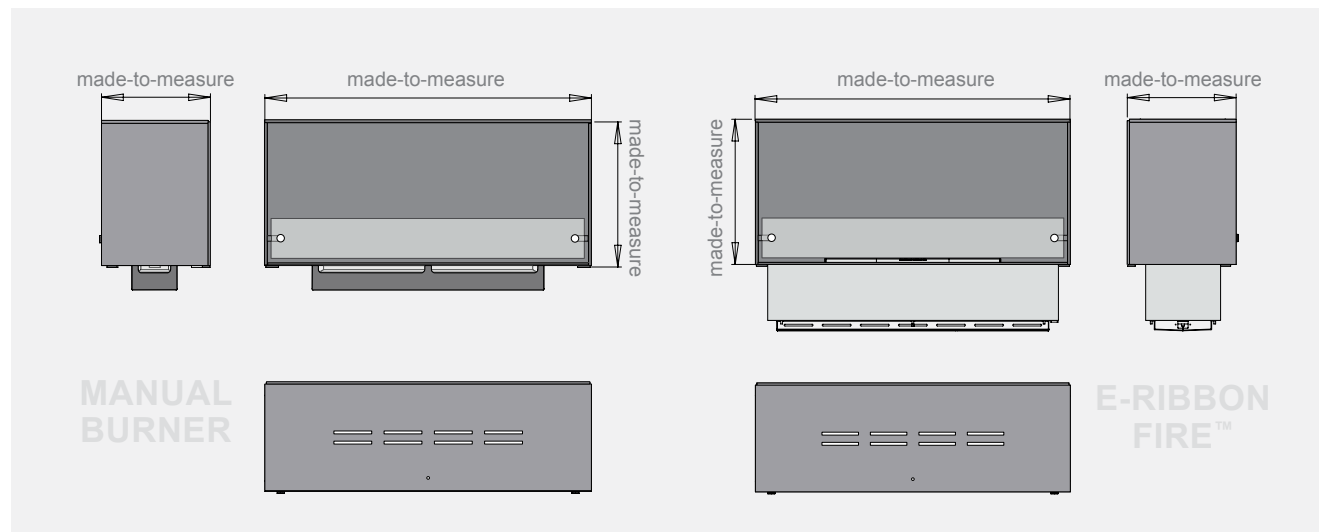
# MONTREAL™

The decoflame® Montreal™ is a unique made to measure built-in bioethanol fireplace designed without a frame/fascia for a sleek, minimalist look. It is available in various layouts: open to the front only – open to the front and back – open to the front and back and one side – open to the front and both sides. Optional glass shields complete the beautifully crafted quality feel of this timeless fireplace model.

The Montreal™ is available with either one or several manual decoflame® burners on which the flame intensity is steplessly adjustable or with the patented decoflame® e-Ribbon Fire™ featuring CEVB Technology.



<b>Materials</b>	Powder-coated aluminium or brushed/polished stainless steel and hardened, optic-white glass	
<b>Min. dimensions (WxHxD)</b>	Montreal e-Ribbon Fire:	900x400x250mm
	Montreal Standard:	700x400x200mm
<b>Flame tray size</b>	500 - 5000mm	
<b>Manual burner size</b>	400 - 1000mm	



# ORLANDO™

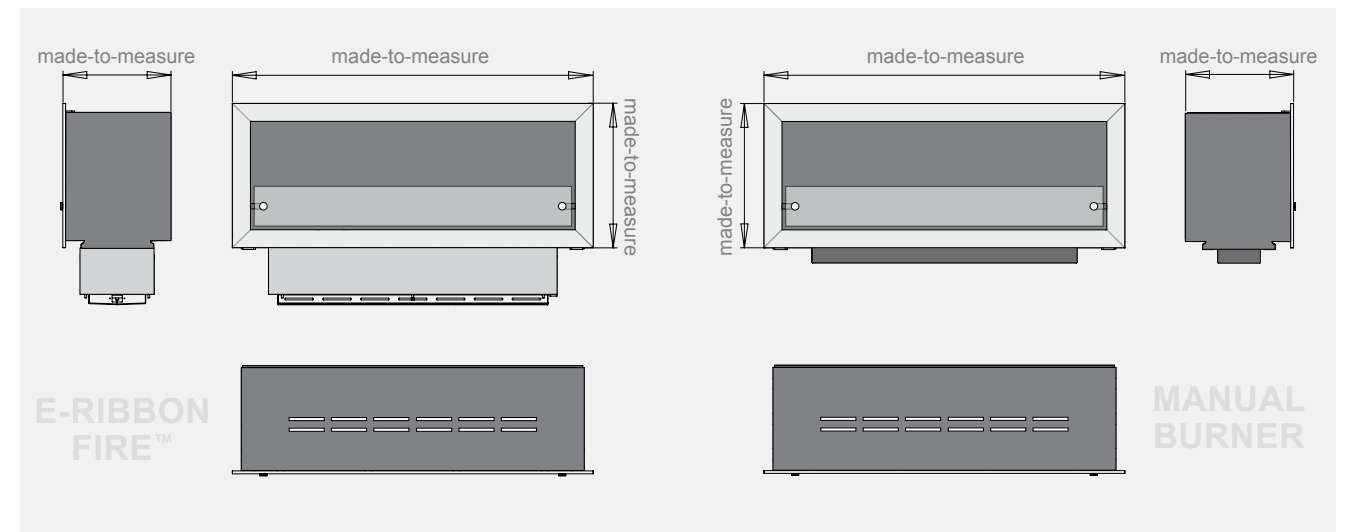
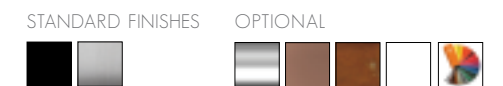
The decoflame® Orlando™ is a made to measure built-in bioethanol fireplace which features a 50mm wide frame. On request, the frame can be wider than 50mm and made in almost every choice of metal.

It is available in various layouts: open to the front only – open to the front and back – open to the front and back and one side – open to the front and both sides. Optional glass shields are available for an accomplished look.

The Orlando™ is offered with either one or several manual decoflame® burners on which the flame intensity is steplessly adjustable or with the patented decoflame® e-Ribbon Fire™ featuring CEVB Technology



<b>Finish</b>	Powder-coated aluminium or brushed/polished stainless steel and hardened, optic-white glass	
<b>Min. dimensions (WxHxD)</b>	Orlando e-Ribbon Fire:	900x400x250mm
	Orlando Standard:	700x400x200mm
<b>Flame tray size</b>	500 - 5000mm	
<b>Manual burner size</b>	400 - 1000mm	



# WESTMINSTER™

Offering a modern twist to a traditional fireplace application, the decoflame® Westminster™ is part of the made to measure range of decoflame® bioethanol fireplaces.

This complete fireplace model comprises:

- beige sandstone mantelpiece/surround
- insert with 70mm frame
- basket with Denver e-Ribbon Fire™ or manual burner

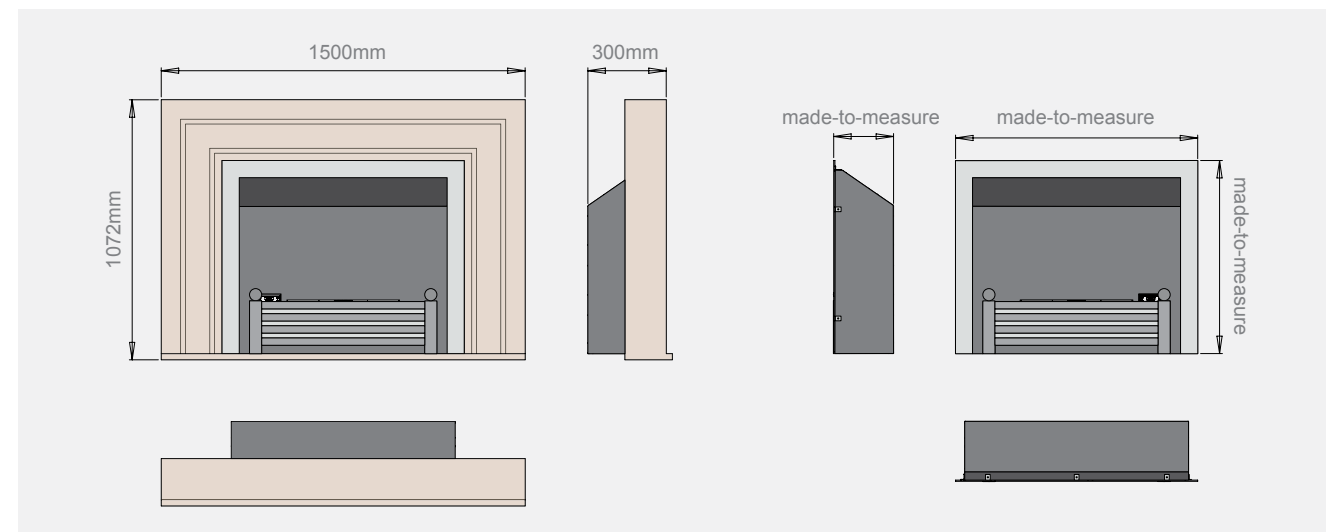
Alternatively, the Westminster™ can be manufactured in bespoke sizes in order to fit into an existing fireplace opening or mantelpiece (the scope of delivery will then exclude the sandstone surround).

If desired, the basket with either choice of burner can be supplied separately and in any desired dimensions in order to revive an existing, formerly wood-burning fireplace.

Furthermore, it is possible to add decór details as balls, legs and front trims across the basket and frame of the insert.



<b>Materials</b>	Powder-coated aluminium and decór in steel or brushed/polished stainless steel	
<b>Standard dimensions (WxHxD)</b>	Incl. sandstone surrond:	1500x1072x303mm
	Without surround:	796x998x240mm
<b>Flame tray size</b>	500 - 5000mm	
<b>Manual burner size</b>	400 - 1000mm	



# WESTMINSTER DS™

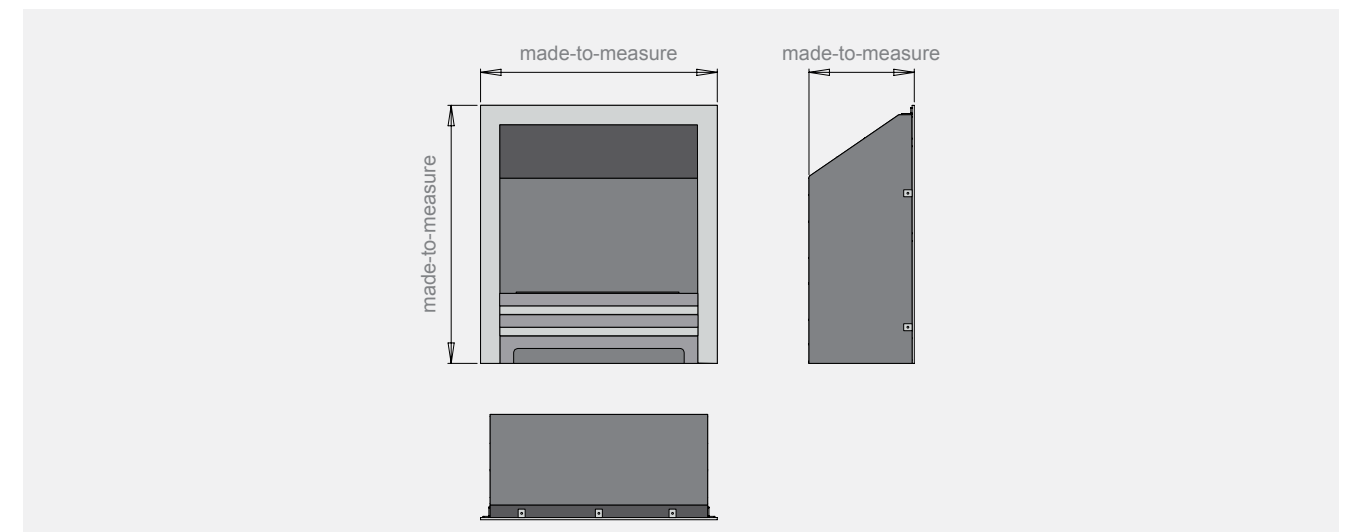
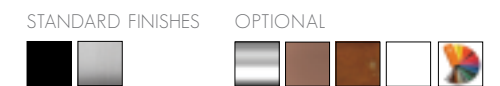
The fireplace insert decoflame® Westminster DS™ is the perfect solution when challenged with the task to restore an old, redundant fireplace or merely the opening remaining in a chimney breast from a previously installed gas fire to their former glory.

Unlike Westminster™ the Westminster DS™ is a one-piece fireplace, easing the installation. Just like the Westminster™, this fireplace can be manufactured in order to fit into an existing fireplace opening or mantelpiece. It also allows a choice of burner - either a Denver e-Ribbon Fire™ or manual burner.

Decór details to front and frame are optional.



<b>Finish</b>	Powder-coated aluminium and decór in steel or brushed/polished stainless steel	
<b>Dimensions</b>	Width and height:	made-to-measure
	Depth:	min. 247mm
<b>Flame tray size</b>	500 - 5000mm	
<b>Manual burner size</b>	400 - 1000mm	



This impressive bioethanol fireplace offers an ultra-modern take on the looks of a traditional fireplace.

The decoflame® Milano™ offers a luxurious “all-in-one” solution as it comes complete with a metal surround, insert, basket and either a manual burner or the decoflame® e-Ribbon Fire™ – featuring the latest technology in bioethanol burning.

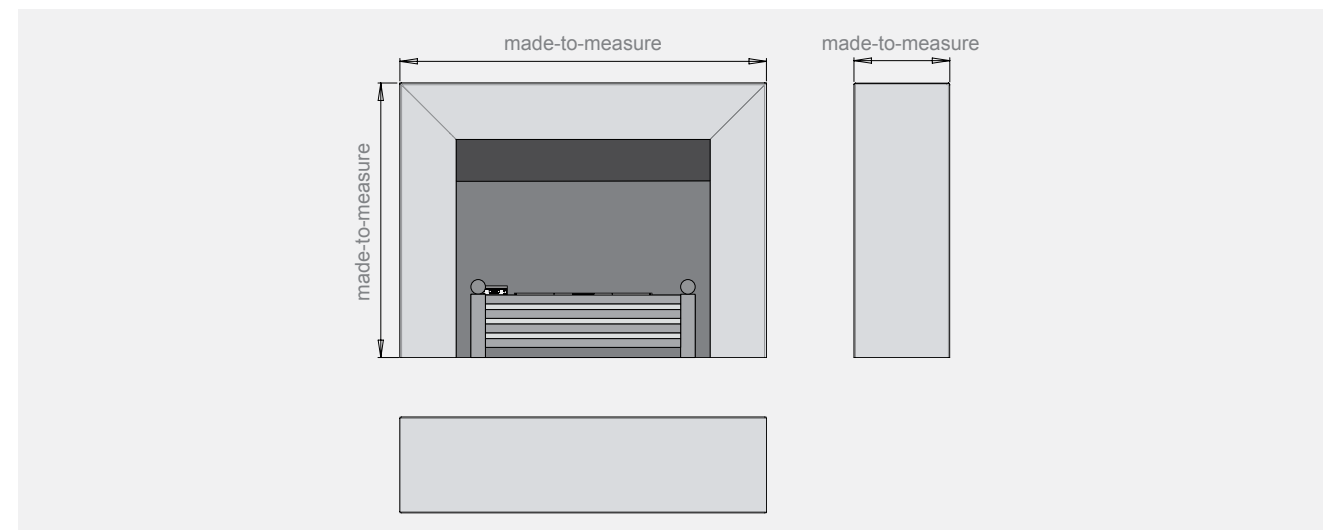
The surround/mantelpiece can be made as shown here in polished stainless steel with a black insert background and basket with highly polished stainless steel décor. But other options like brushed stainless steel, or with a powder-coated surround are available.



This complete fireplace model comprises:

- metal mantelpiece/surround
- insert
- basket with decoflame® Denver e-Ribbon Fire™

<b>Finish</b>	Powder-coated aluminium and steel or brushed/polished stainless steel
<b>Standard dimensions (WxHxD)</b>	1260x944x329mm
<b>Flame tray size</b>	500 - 5000mm
<b>Manual burner size</b>	400 - 1000mm



## MADE TO MEASURE FIREPLACES WITH MANUAL BURNER

Decoflame® custom-made fireplaces with a manual burner are supplied with an original NORMANN Copenhagen funnel, a 3M sponge and an extra long lighter.



## MADE TO MEASURE FIREPLACES WITH E-RIBBON FIRE™

Decoflame® custom-made fireplaces with e-Ribbon Fire™ are supplied with a decoflame® remote control and an original NORMANN Copenhagen funnel.



## OPTIONAL ACCESSORIES FOR PRODUCTS WITH E-RIBBON FIRE:

- WiFi-adapter
- iPod Touch
- CO and CO<sub>2</sub>-sensor
- Tilt-sensor

The funnel, lighter and a battery-operated bioethanol pump are available also separately on request.



# GUIDE

## BURNER & E-RIBBON FIRE™ VS. ROOM VOLUME

### E-RIBBON FIRE™

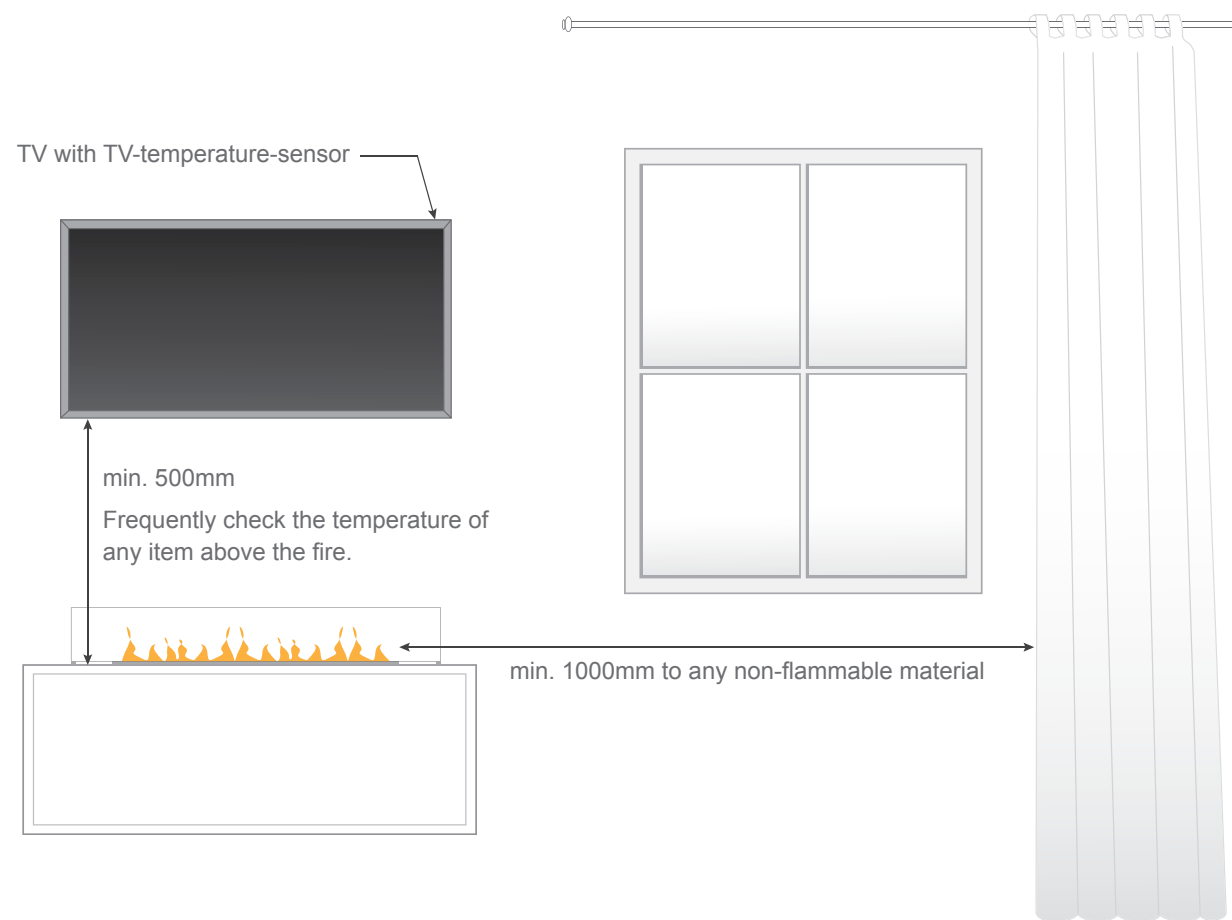
Flame tray width (mm)	Fuel consumption (l/h)	Max. heat output (kW/h)	Min. room volume (m³)
500	0.5	3.60	72
600	0.6	4.32	86
700	0.7	5.04	101
800	0.8	5.76	115
900	0.9	6.48	130
1000	1.0	7.20	144
1100	1.1	7.92	158
1200	1.2	8.64	173
1300	1.3	9.36	187
1400	1.4	10.08	202
1500	1.5	10.80	216
1600	1.6	11.52	230
1700	1.7	12.24	245
1800	1.8	12.96	259
1900	1.9	13.68	274
2000	2.0	14.40	288
2100	2.1	15.12	302
2200	2.2	15.84	317
2300	2.3	16.56	331
2400	2.4	17.28	346
2500	2.5	18.00	360

### MANUAL BURNERS

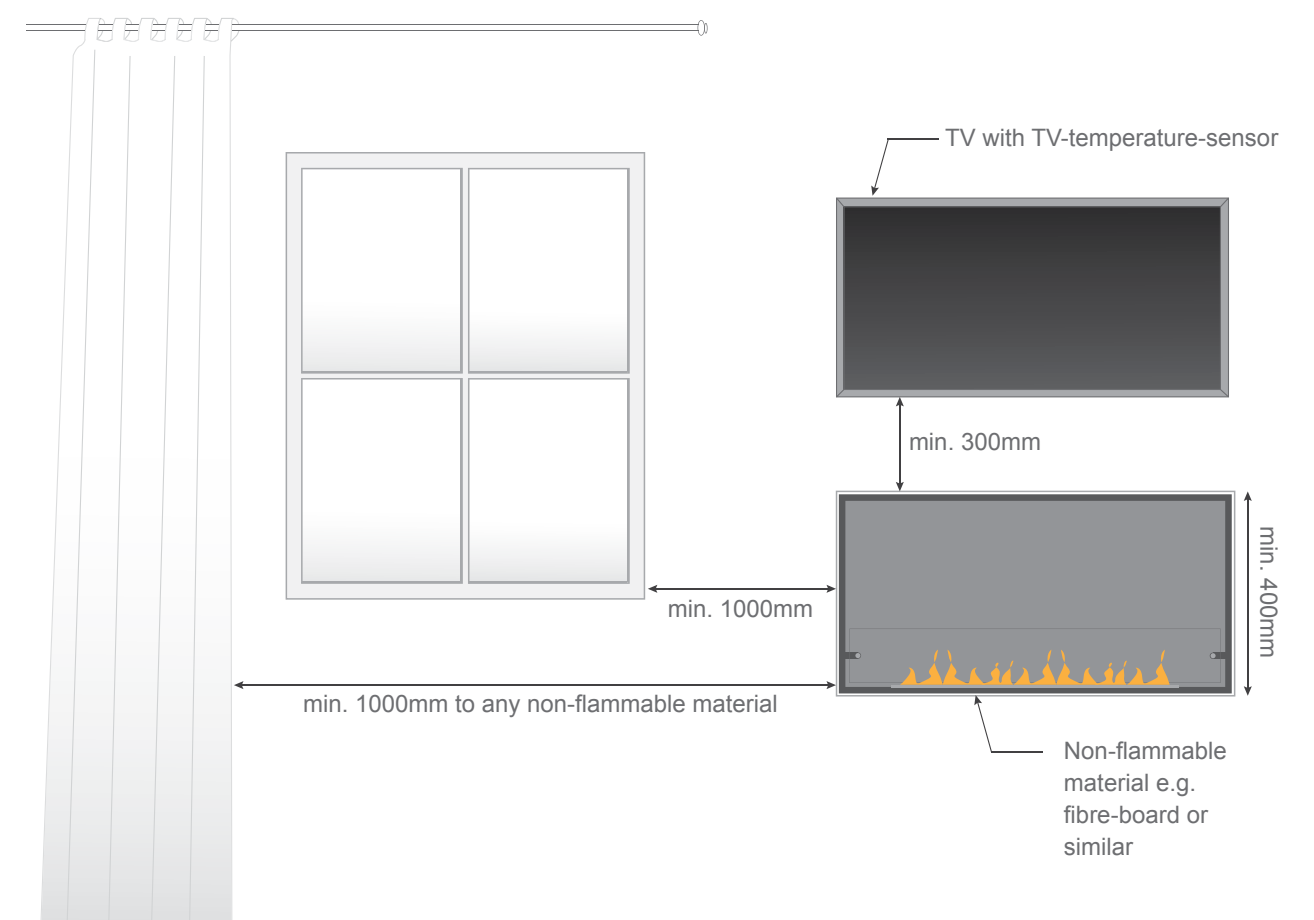
Burner width (mm)	Fuel consumption (l/h)	Max. heat output (kW/h)	Min. room volume (m³)
400	0.3	2.16	43
500	0.4	2.88	58
600	0.5	3.60	72
700	0.6	4.32	86
800	0.7	5.04	101
1000	0.9	6.48	130

# INSTRUCTIONS WHEN INSTALLED

## DENVER E-RIBBON



## MONTREAL & ORLANDO



“EVERY DECOFLAME FIRE IS A DESIGN OBJECT THAT WILL TRANSFORM YOUR SPACE. IT'S JUST BEAUTIFUL.”

BILL GRAHAM, CUSTOMER

## DESIGNERS LINE

DECOFLAME® FLOOR MODELS, WALL- AND CEILING MOUNTED AS WELL AS BUILT-IN FIREPLACES

All decoflame® bioethanol fires are technically designed and manufactured exclusively in our own manufacture in Norresundby (near Aalborg), Denmark, in order to match any expectancy with regards to consistent quality craftsmanship.

In comparison to most bioethanol burners, all burners of our design range of fires feature a characteristic and uniquely wide, ribbon-like flame display.

Every single component of decoflame® fires has been carefully crafted – mainly of 304 grade stainless steel – which does not only look beautiful, but also lasts a lifetime.

All decoflame® fires are tested and manually tuned in order to guarantee all-times functionality and safety, in addition to a wide selection of fireplace models which have been thoroughly tested and safety certified by SITAC.

A large variety of floor models, wall- and ceiling mounted fireplaces for in- and outdoors use – all of which available in numerous finishes – offers an attractive fireplace solution for any taste, room size, layout and ambience.





*Creating a stunning focal point in any interior with a New York Empire in highly polished stainless steel.*



*New York Empire, New York Plaza and New York Tower in various finishes.*





*The Atlantic Series comprises  
a suitable fire model for any room size.*



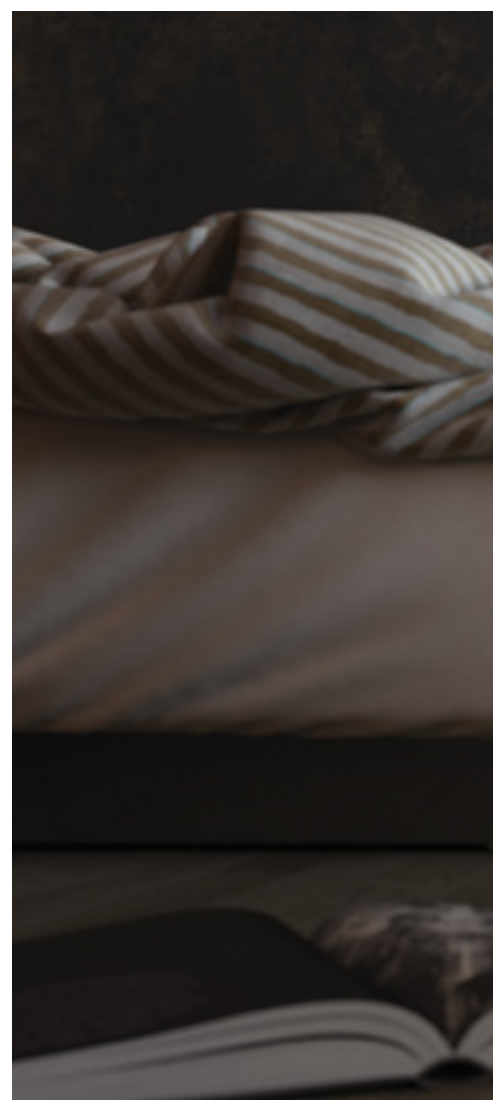


*The attractive Sydney™ in white with brushed stainless steel lining allows the viewer to watch the flames from different locations in the room.*





*The Ellipse Ceiling™ can be turned by 360° to allow a view of the flames from any angle. The soft curves of the Ellipse Floor™ make this attractive floor model a desirable object in any home.*



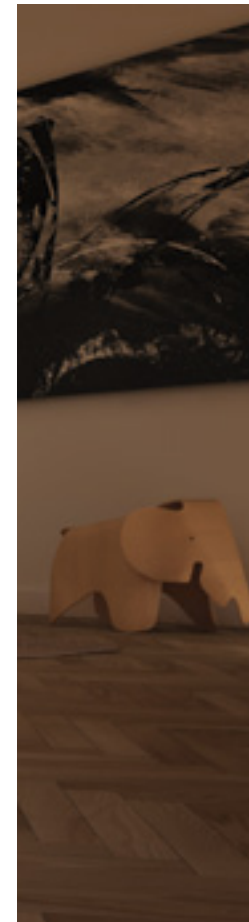




*The Ascot Lux™ fireplace grate is the ideal choice when restoring old fireplaces to their former glory. Both the World Empire™ and the World Plaza™ feature hidden wheels which make relocation easy.*



*The Nice-Table top can be build into any type of surface.*







*Monaco is the series of fires for in- and outdoors use.*



*The built-in San Diego™ fascinates with a facette of reflections of mesmerising flames - unless you are fast asleep, of course.*



# DESIGN SPECIFICATIONS



Sydney™  
Floor model



Monaco Round™  
Floor model



Monaco Square™  
Floor model



New York Empire™  
Wall-mounted model



New York Plaza™  
Wall-mounted model



New York Tower™  
Wall-mounted model



Nice™  
Floor model



Ellipse Floor™  
Floor model



World™  
Floor model



Atlantic™  
Wall-mounted model



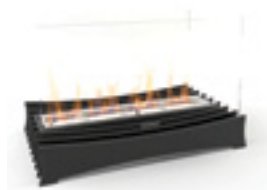
Atlantic Tower™  
Wall-mounted model



Atlantic Wave™  
Wall-mounted model



Chicago™  
Floor model



Ascot Lux™  
Fireplace insert



San Diego™  
Built-in fireplace



Atlantic Twin™  
Wall-mounted model



Ellipse Ceiling™  
Ceiling model



Nice Table-top™  
Table model



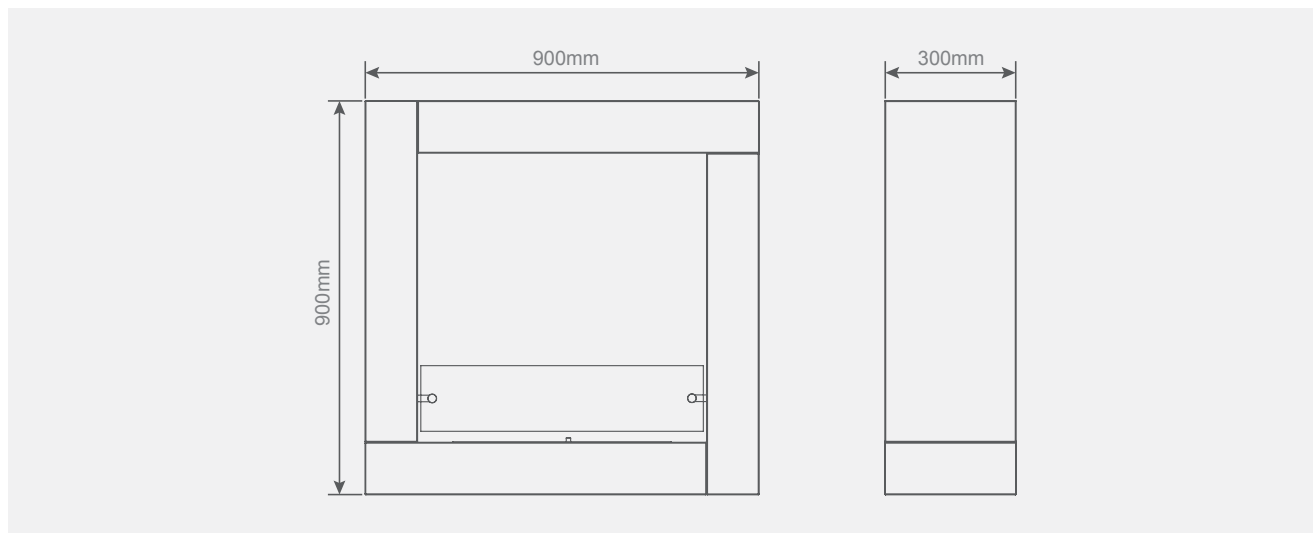
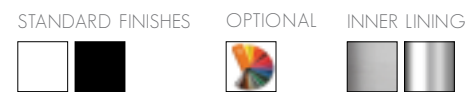
# SYDNEY™

The Sydney™ is one of the bestsellers of the decoflame® floor model range of fires. This elegant fireplace can be placed as a stand-alone fire feature – allowing a view of the flames from both sides – or optional alongside a wall when one side is covered by a polished or brushed stainless steel plate.

The fully adjustable design protected decoflame® burner is shielded by tempered glass of 6mm thickness.



<b>Finish</b>	Powder-coated steel and brushed stainless steel
<b>Materials</b>	Steel, stainless steel and tempered glass
<b>Weight</b>	50kg
<b>Burner Volume</b>	2.5 litres
<b>Heat Efficiency</b>	2.7 kW/h
<b>Burning Duration</b>	4-8 hours (depending on flame intensity)



# ASCOT LUX™ SERIES 400 / 500 / 600

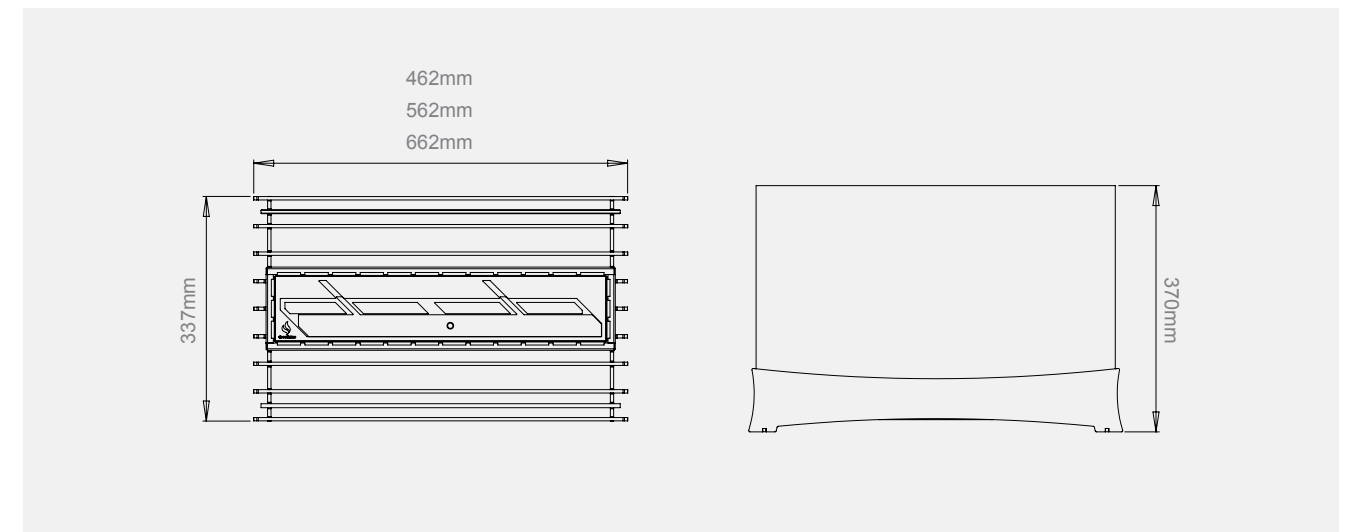
The fireplace insert decoflame® Ascot Lux™ is the solution for owners of traditional fireplaces who are not only tired of burning wooden logs, but also wish to opt for a greener, more environmentally friendly alternative.

The models of the Ascot Lux™ series come in three different dimensions as standard and feature two glass screens: one to the front and one to the back. They are essential in order to stabilise the flames and keep the bioethanol consumption to a minimum.

The Ascot Lux™ features the design-protected decoflame® burner with adjustable flame intensity.



<b>Finish</b>	Powder-coated aluminium and brushed stainless steel
<b>Materials</b>	Aluminium, stainless steel and glass
<b>Weight</b>	20kg / 23kg / 30kg
<b>Burner Volume</b>	1.8 litres / 2.3 litres / 2.8 litres
<b>Heat Efficiency</b>	3.0 kW/h / 3.8 kW/h / 4.5 kW/h
<b>Burning Duration</b>	Average of 6 hours



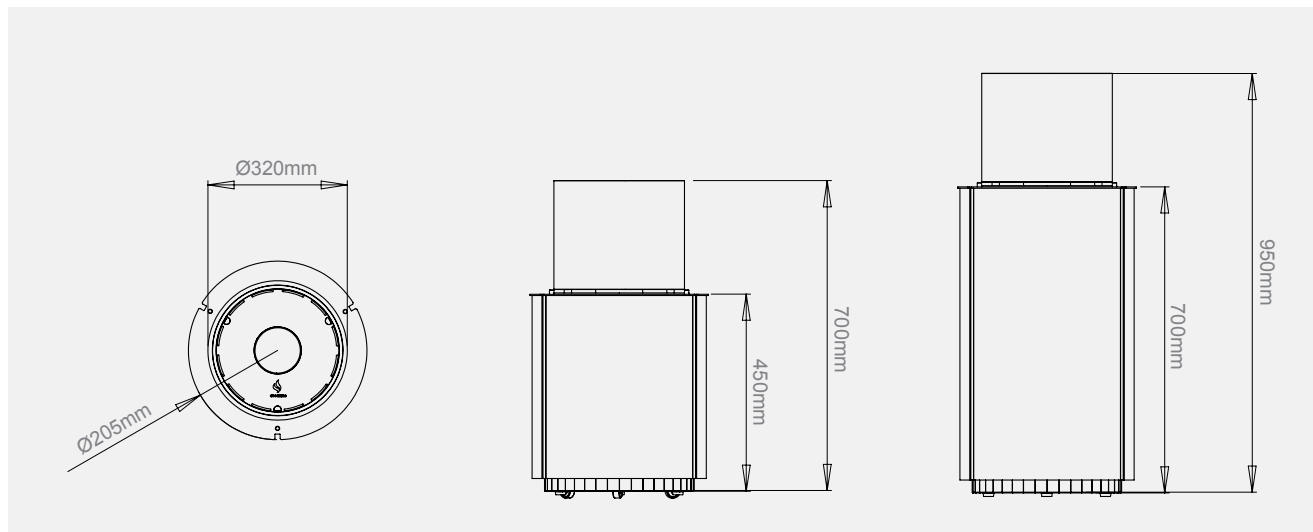
# MONACO ROUND™ TOWER / LOUNGE

The decoflame® Monaco™ series features a range of fires designed for both in- and outdoors use. Adding the cosiness and wild romantic of an open fire to long summer nights they can be placed in the garden, on the terrace or in your conservatory, lounge or bedroom – anywhere you wish to add a little extra warmth. The Monaco Round™ comes in two heights and with small hidden wheels for easy relocation are available as option.

The burner is made of brushed stainless steel and is encased by a hardened glass cylinder of 10mm thickness.



<b>Finish</b>	Powder-coated steel and brushed stainless steel
<b>Materials</b>	Steel, stainless steel and tempered glass
<b>Weight</b>	25kg / 27kg
<b>Burner Volume</b>	1.25 litres / 1.25 litres
<b>Heat Efficiency</b>	1.5 - 3.0 kW/h / 1.5 - 3.0 kW/h
<b>Burning Duration</b>	3-6 hours (depending on flame intensity)



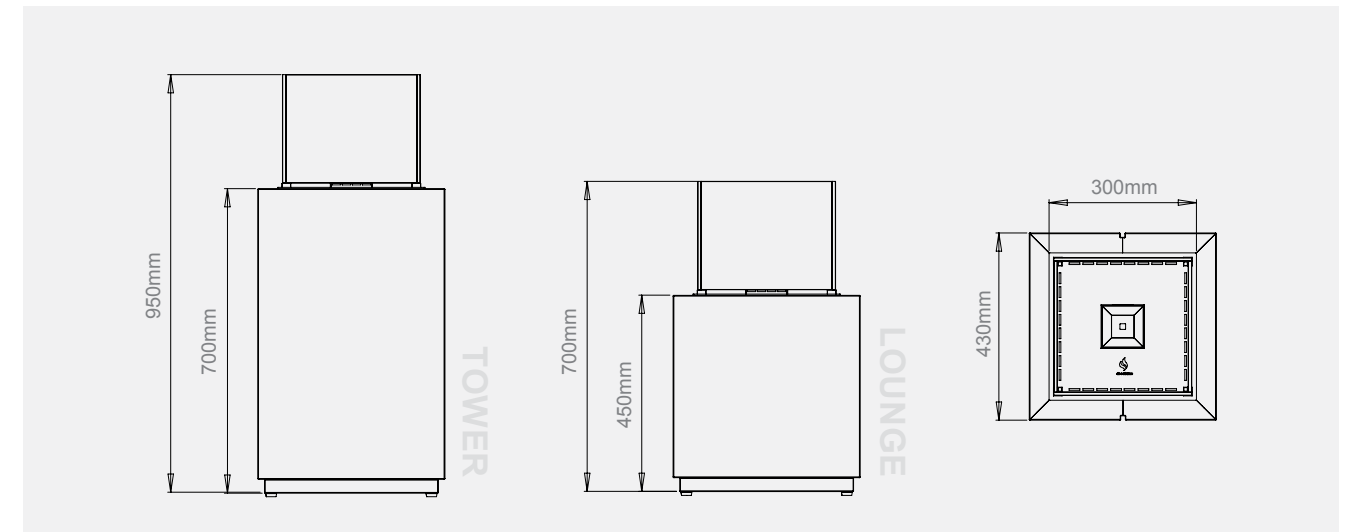
# MONACO SQUARE™ TOWER / LOUNGE

The decoflame® Monaco™ series features a range of fires designed for both in- and outdoors use. Adding the cosiness and wild romantic of an open fire to long summer nights they can be placed in the garden, on the terrace or in your conservatory, lounge or bedroom – anywhere you wish to add a little extra warmth. The Monaco Square™ comes in two heights and is available in black, white and brushed stainless steel as standard. Small hidden wheels for easy relocation are available as option.

The burner is made of brushed stainless steel and is encased by a hardened glass surround of 10mm thickness.



<b>Finish</b>	Powder-coated steel and brushed stainless steel
<b>Materials</b>	Steel, stainless steel and tempered glass
<b>Weight</b>	15kg / 17kg
<b>Burner Volume</b>	1.25 litres / 1.25 litres
<b>Heat Efficiency</b>	1.5 - 3.0 kW/h / 1.5 - 3.0 kW/h
<b>Burning Duration</b>	3-6 hours (depending on flame intensity)





# NICE SERIES™ LOUNGE / TOWER / CUBE

As a first of all decoflame® models, the Nice™ Series offers great versatility in use as either a free-standing fire column or a mobile table-top fire: The burner is simply lifted out of the vase and can then be placed on any solid, level surface.

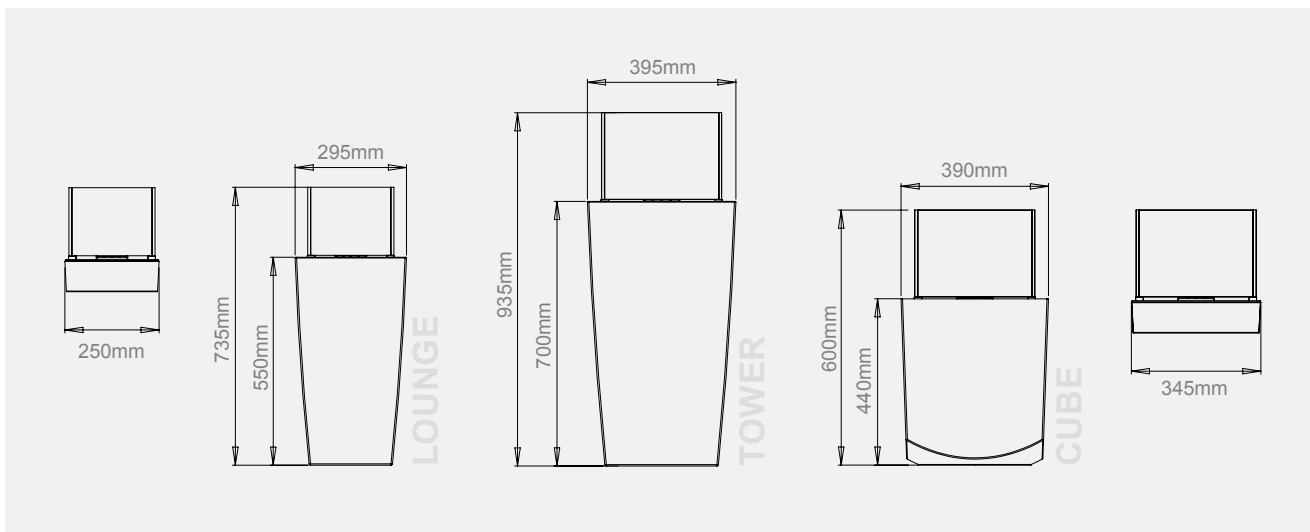
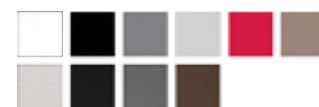
Nice™ is designed to add the cosiness and wild romantic of an open fire to long summer nights in your garden, on your terrace or anywhere indoors. The decoflame® Nice™ comes in three heights (the taller Tower, lower Lounge and Cube) and is available with vases of various colours in high gloss and also with a woven structure.

The decoflame® Nice™ burner featured in these models is made of brushed or polished stainless steel and white or black powder-coated steel and is shielded by an optic white glass surround of 8mm thickness.



<b>Finish</b>	Powder-coated and brushed stainless steel
<b>Materials</b>	Steel, stainless steel, plastic (PP) and glass
<b>Weight</b>	12kg / 20kg / 20kg
<b>Burner Volume</b>	1.25 litres / 1.8 litres / 1.8 litres
<b>Heat Efficiency</b>	1.8 kW/h / 2.8 kW/h / 2.8 kW/h
<b>Burning Duration</b>	5-6 hours (depending on flame intensity)

AVAILABLE COLOURS



# ELLIPSE FLOOR™

With its elegant, almost organic body shape, the decoflame® Ellipse™ Floor is the ideal choice when adding sophistication to any modern interior.

The genuinely stunning Ellipse Floor™ stands on four beautifully crafted legs, which have been turned from massive pieces of stainless steel.

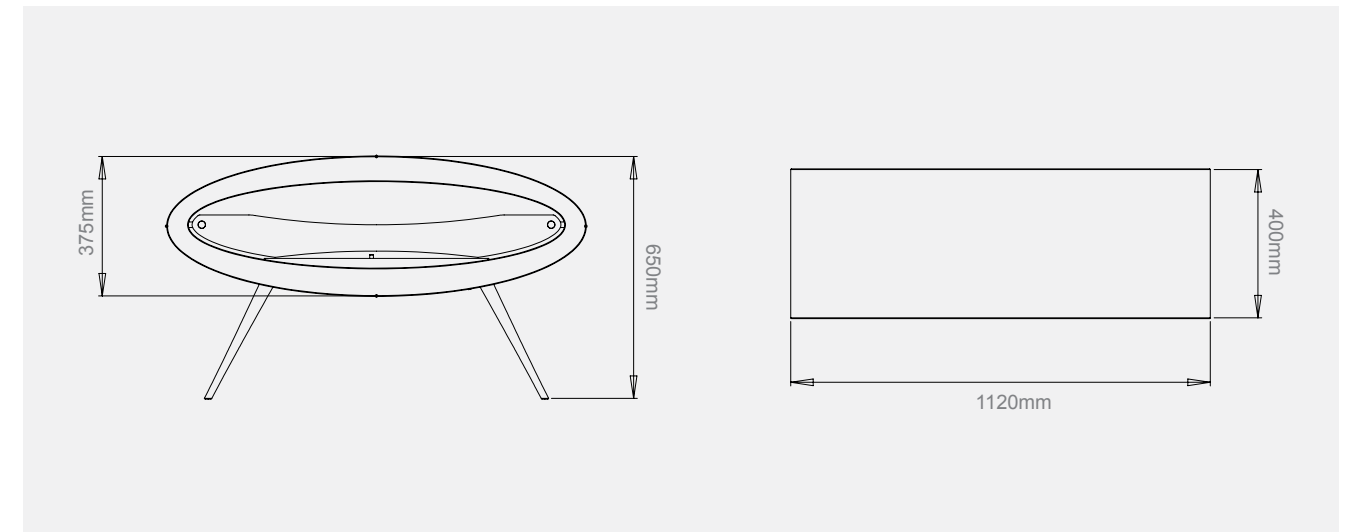


<b>Finish</b>	Powder-coated steel and brushed stainless steel
<b>Materials</b>	Steel, stainless steel and tempered glass
<b>Weight</b>	70kg
<b>Burner Volume</b>	3 litres
<b>Heat Efficiency</b>	3.0 kW/h
<b>Burning Duration</b>	4-8 hours (depending on flame intensity)

STANDARD FINISHES



OPTIONAL



# WORLD SERIES™ EMPIRE / PLAZA

The freestanding decoflame® World™ Series comprises two model sizes: the smaller World Plaza™ and the larger World Empire™. Featuring two different sizes of burners, those models offer the possibility to select a heat output which is suitable for the size of room in which the fire is placed. Small hidden wheels facilitate easy relocation.

The World™ Series features the unique decoflame® burner which allows an individual regulation of the flame intensity.

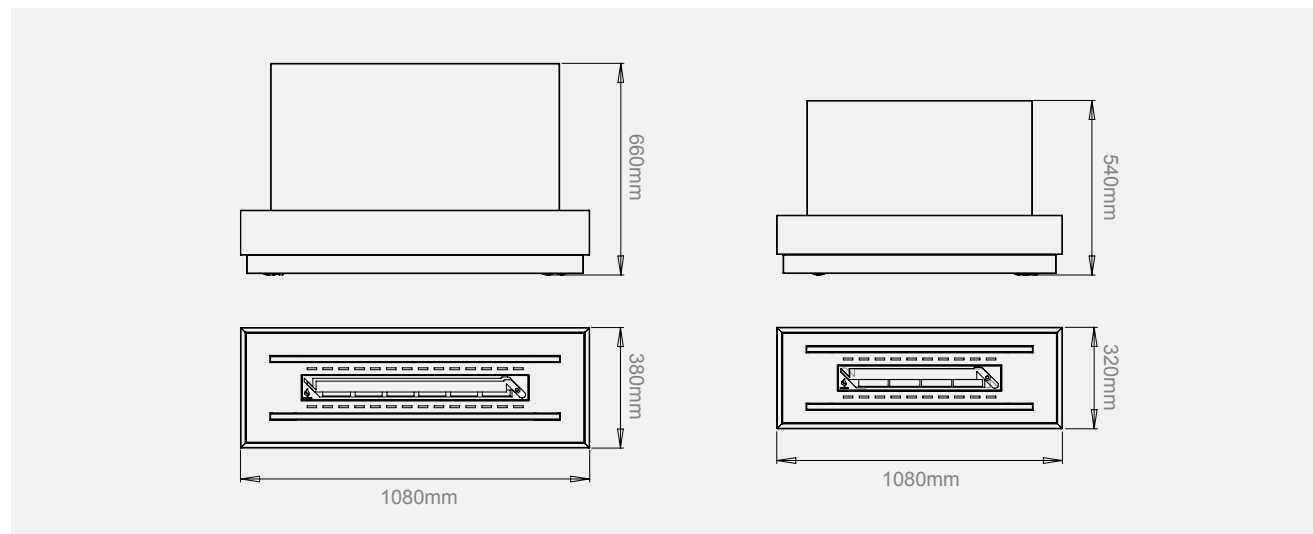


<b>Finish</b>	Powder-coated steel and brushed or polished stainless steel
<b>Materials</b>	Steel, stainless steel and tempered glass
<b>Weight</b>	45kg / 80kg
<b>Burner Volume</b>	3 litres / 4 litres
<b>Heat Efficiency</b>	3.6 - 7.2 kW/h / 3.6-7.2 kW/h
<b>Burning Duration</b>	4-8 hours (depending on flame intensity)

STANDARD FINISHES



OPTIONAL



# CHICAGO™

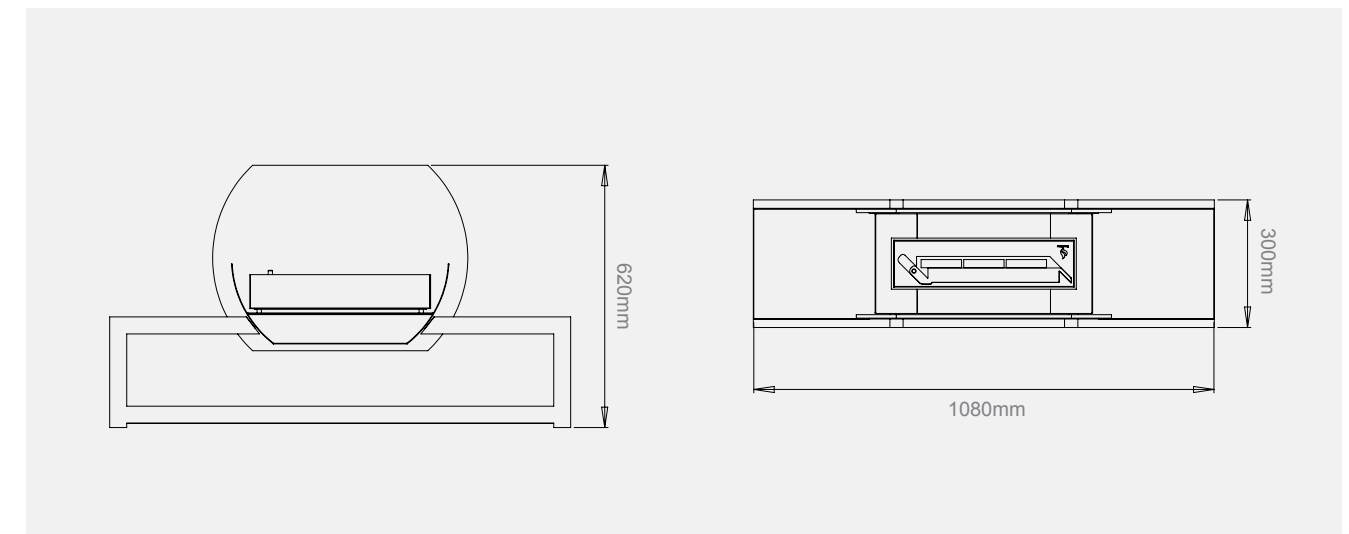
The decoflame® Chicago™ is a unique object which combines a fireplace atmosphere with traditional Danish furniture design.

Featuring a manual decoflame® burner with individually adjustable flame intensity, the Chicago™ provides an exclusive touch to any modern home.



<b>Finish</b>	Brushed stainless steel and black laminate
<b>Materials</b>	Wood, stainless steel and tempered glass
<b>Weight</b>	60kg
<b>Burner Volume</b>	4 litres
<b>Heat Efficiency</b>	3.6 - 7.2 kW/h
<b>Burning Duration</b>	4-8 hours (depending on flame intensity)

STANDARD FINISH



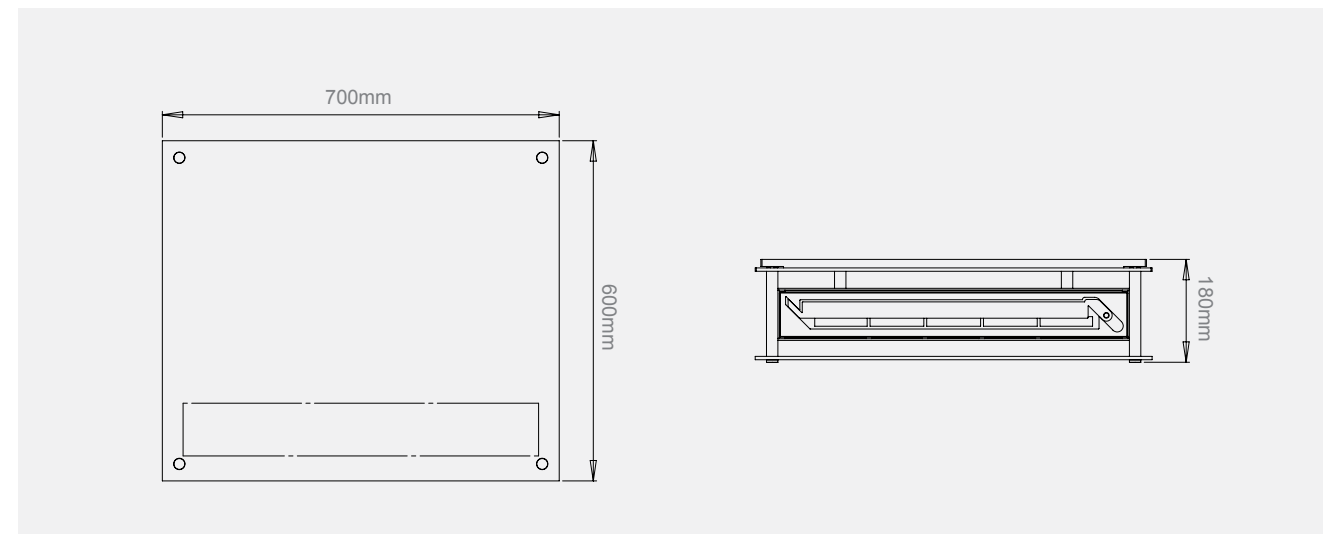
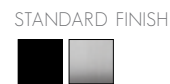
# ATLANTIC™

As part of the Atlantic™ series, the decoflame® Atlantic™ is executed in aluminium, stainless steel and hardened glass.

This models features the design-protected decoflame® burner on which the flame intensity is steplessly adjustable. The tempered glass screen to the front ensures an efficient convection effect and provides an even heat distribution in the room.



<b>Finish</b>	Powder-coated and brushed stainless steel
<b>Materials</b>	Stainless steel and tempered glass
<b>Weight</b>	17kg
<b>Burner Volume</b>	3.5 litres
<b>Heat Efficiency</b>	3.1 - 6.2 kW/h
<b>Burning Duration</b>	4-8 hours (depending on flame intensity)



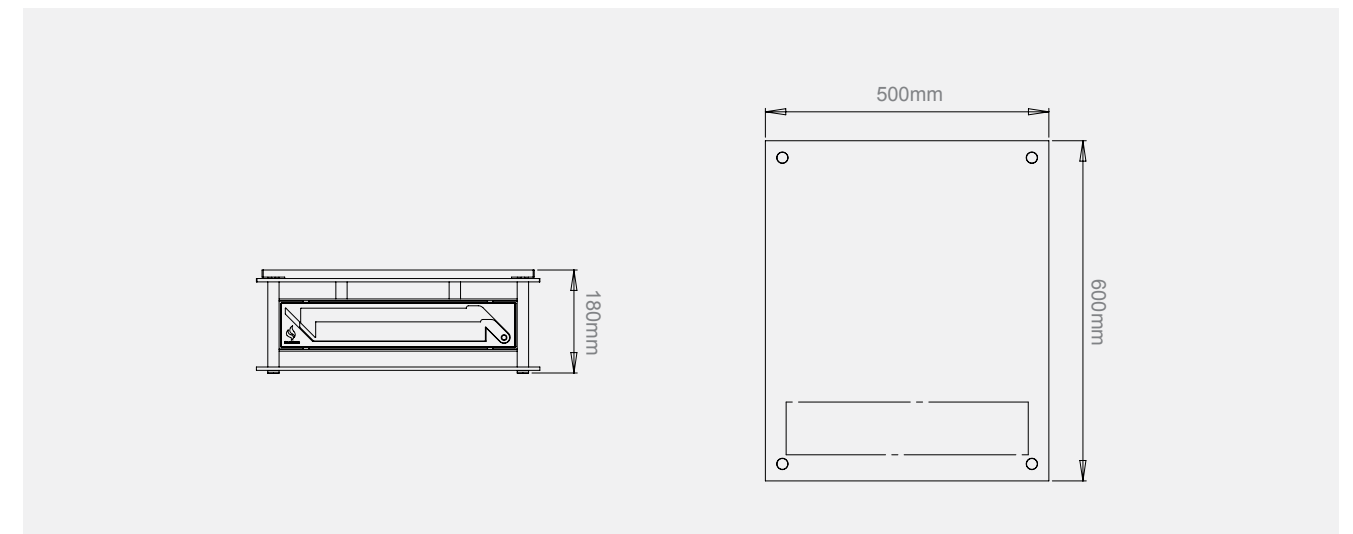
# ATLANTIC TOWER™

Being part of the Atlantic series, the decoflame® Atlantic Tower™ is the smallest model available in this series. Just as all the other Atlantic models, it is executed in aluminium, stainless steel and hardened glass.

The vertical layout of the Atlantic Tower™ makes it well suited for smaller settings like in kitchens, bathrooms or hung on a column. The Atlantic Tower™ features the design-protected decoflame® burner on which the flame intensity is steplessly adjustable. The tempered glass screen to the front ensures an efficient convection effect and provides an even heat distribution in the room.



<b>Finish</b>	Powder-coated and brushed stainless steel
<b>Materials</b>	Stainless steel and tempered glass
<b>Weight</b>	17kg
<b>Burner Volume</b>	2.5 litres
<b>Heat Efficiency</b>	2.5 - 4.4 kW/h
<b>Burning Duration</b>	4-8 hours (depending on flame intensity)





# ATLANTIC TWIN™

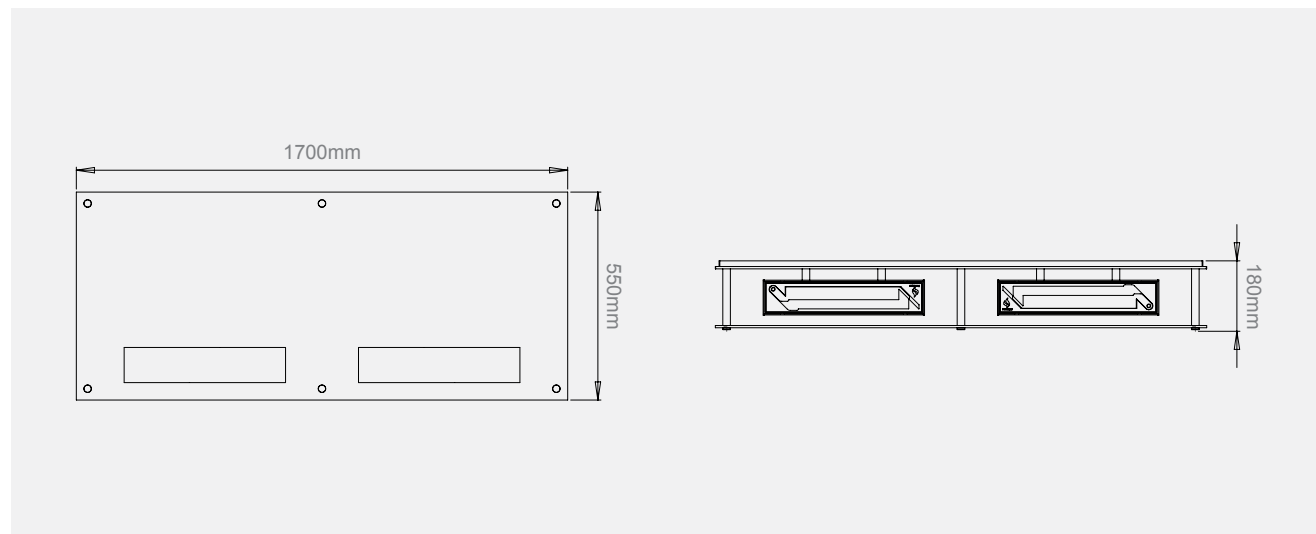
As largest models of the Atlantic series, the decoflame® Atlantic Twin™ has been exclusively designed for larger room sizes. Just as all the other Atlantic models, it is executed in aluminium, stainless steel and hardened glass.

The Atlantic Twin™ features two design-protected decoflame® burners on which the flame intensity is steplessly adjustable. The tempered glass screen to the front ensures an efficient convection effect and provides an even heat distribution in the room.



<b>Finish</b>	Powder-coated and brushed stainless steel
<b>Materials</b>	Stainless steel and tempered glass
<b>Weight</b>	58kg
<b>Burner Volume</b>	8 litres
<b>Heat Efficiency</b>	7.2 - 14.4 kW/h
<b>Burning Duration</b>	4-8 hours (depending on flame intensity)

STANDARD FINISH



# ATLANTIC WAVE™

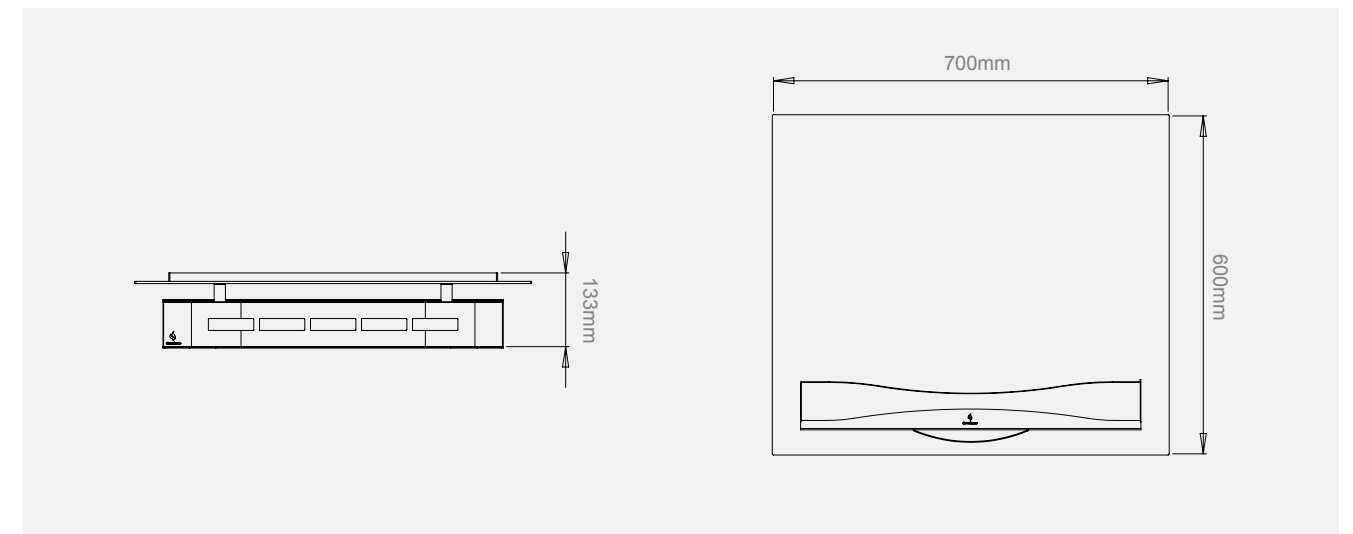
The decoflame® Atlantic Wave™ is a younger, livelier version of the popular Atlantic™ theme. The organic form of the brushed stainless steel burner stands in fine contrast to the black, tempered glass background of the Atlantic Wave™. When the fireplace is in use, its burner lid can snugly be attached to the bottom of the burner and is kept there with a magnet.

As all other wall-hung decoflame® bioethanol fireplaces, also this model is easily mounted to any type of wall. The flame intensity of the Atlantic Wave™ burner cannot be adjusted.



<b>Finish</b>	Powder-coated and brushed stainless steel
<b>Materials</b>	Stainless steel and tempered glass
<b>Weight</b>	38kg
<b>Burner Volume</b>	4 litres
<b>Heat Efficiency</b>	3.6 - 7.2 kW/h
<b>Burning Duration</b>	4-8 hours (depending on flame intensity)

STANDARD FINISH



# NEW YORK EMPIRE™

The decoflame® New York™ Series is the declared bestseller of all decoflame® wall-hung fires. Available in various finishes, three sizes and two layouts the New York™ Series offers the perfect focal point for any interior.

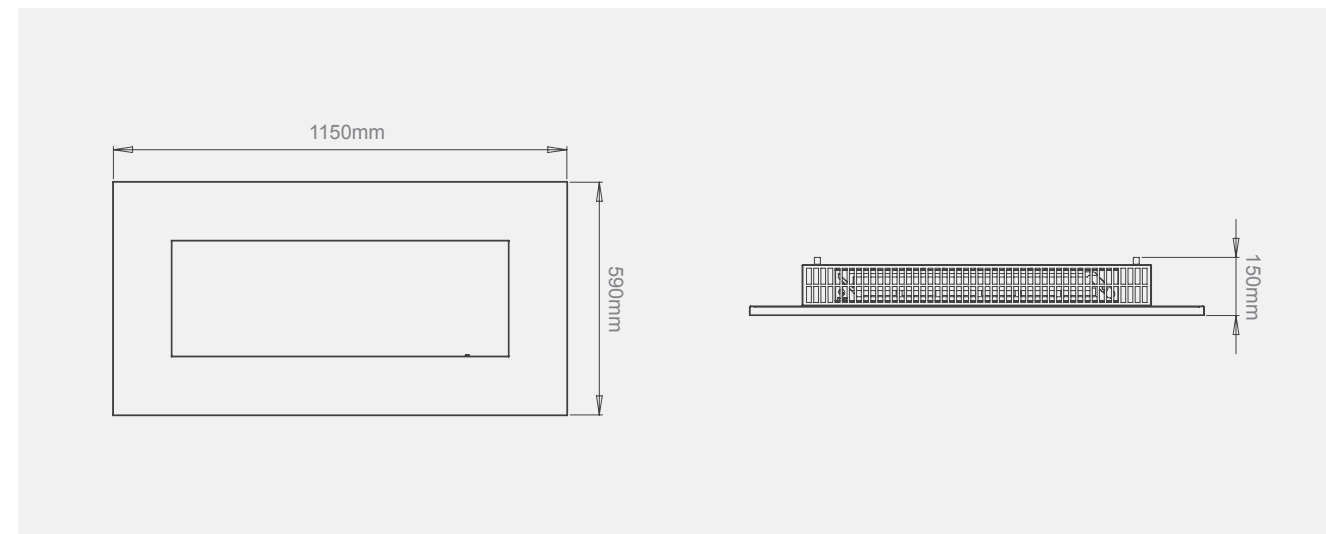
The New York Empire™ is the largest model of this series which makes it suitable for larger room sizes. Installation is literally done within minutes.

The New York Empire™ features the design-protected decoflame® burner on which the flame intensity is steplessly adjustable.

All New York™ models are available as built-in fireplaces as well. The dimensions of the wall cut-out for the built-in New York Series are available upon request. An optional extra would be a low glass screen to the front.



<b>Finish</b>	Powder-coated, brushed, polished, rusty or brass
<b>Materials</b>	Steel and stainless steel
<b>Weight</b>	26.6kg
<b>Burner Volume</b>	4 litres
<b>Heat Efficiency</b>	3.6 - 7.2 kW/h
<b>Burning Duration</b>	4-8 hours (depending on flame intensity)



# NEW YORK PLAZA™

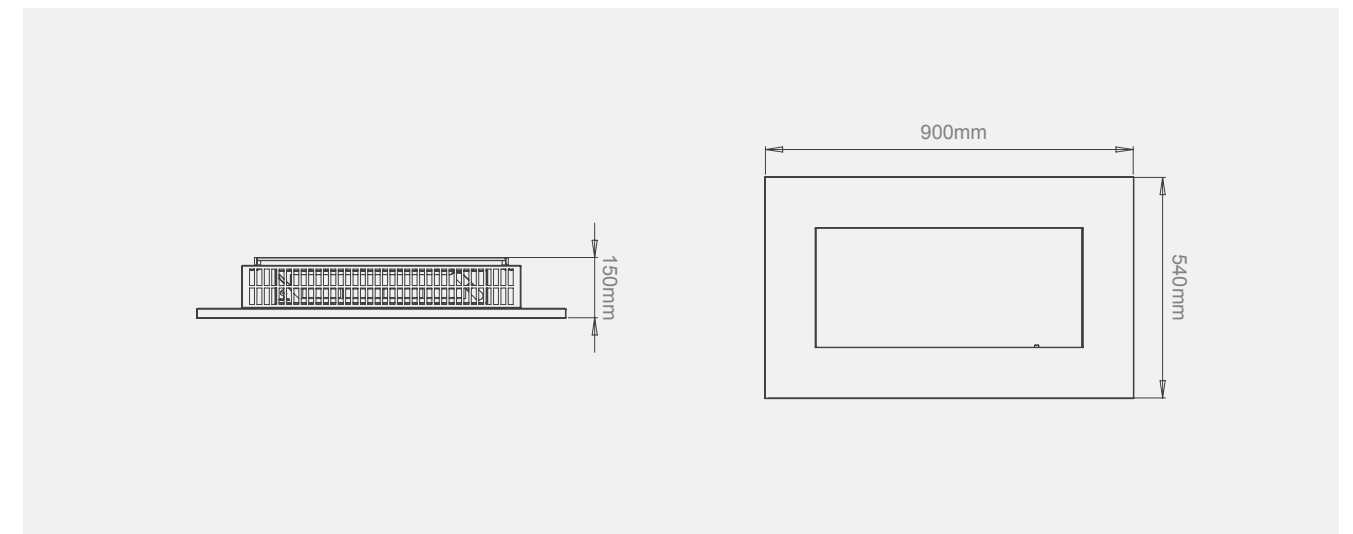
The decoflame® New York™ Series is the declared bestseller of all decoflame® wall-hung fires. Available in various finishes, three sizes and two layouts the New York™ Series offers the perfect focal point for any interior. The New York Plaza™ is slightly smaller than the New York Empire™, which makes it suitable for medium to larger room sizes. Installation is literally done within minutes.

The New York Plaza™ features the design-protected decoflame® burner on which the flame intensity is steplessly adjustable.

All New York™ models are available as built-in fireplaces as well. The dimensions of the wall cut-out for the built-in New York Series are available upon request. An optional extra would be a low glass screen to the front.



<b>Finish</b>	Powder-coated, brushed, polished, rusty or brass
<b>Materials</b>	Steel and stainless steel
<b>Weight</b>	19.6kg
<b>Burner Volume</b>	3 litres
<b>Heat Efficiency</b>	2.7 - 5.4 kW/h
<b>Burning Duration</b>	4-8 hours (depending on flame intensity)



# NEW YORK TOWER™

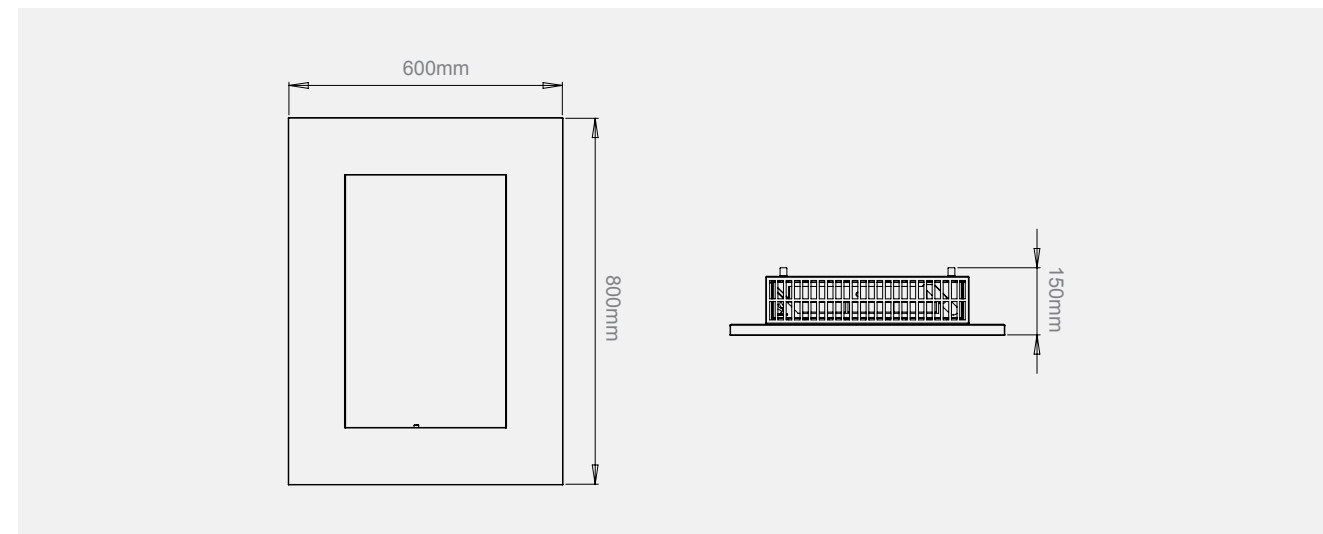
The decoflame® New York™ Series is the declared bestseller of all decoflame® wall-hung fires. Available in various finishes, three sizes and two layouts the New York™ Series offers the perfect focal point for any interior. The New York Tower™ is the smallest model in this series of wall-mounted decoflame® fires. With its vertical layout and smaller burner size, it is well suited for less spacious settings as in kitchen, bathrooms or hung onto a column. Installation is literally done within minutes.

The New York Tower™ features the design-protected decoflame® burner on which the flame intensity is steplessly adjustable.

All New York™ models are available as built-in fireplaces as well. The dimensions of the wall cut-out for the built-in New York Series are available upon request. An optional extra would be a low glass screen to the front.



<b>Finish</b>	Powder-coated, brushed, polished, rusty or brass
<b>Materials</b>	Steel and stainless steel
<b>Weight</b>	18.6kg
<b>Burner Volume</b>	2.4 litres
<b>Heat Efficiency</b>	2.2 - 4.4 kW/h
<b>Burning Duration</b>	4-8 hours (depending on flame intensity)

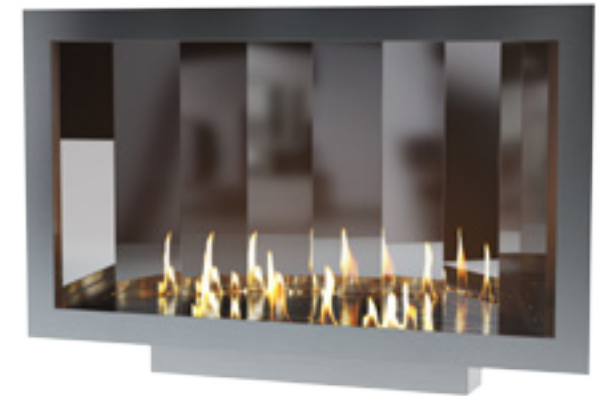


# SAN DIEGO™

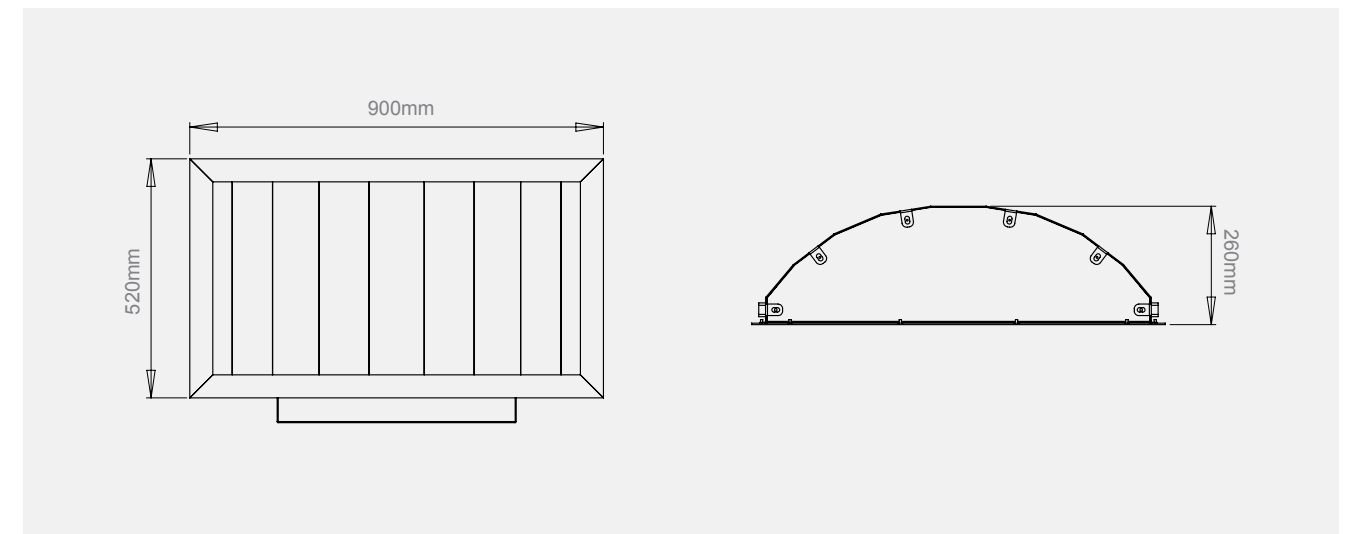
Easily installed by recessing it into a wall cut-out, the decoflame® San Diego™ completes every contemporary interior. Its mesmerising flames are reflected in its highly polished stainless steel facettes.

The San Diego features an original decoflame® burner with the unique closing and regulating system which never jams.

This model is available in complete stainless steel finish with a brushed stainless steel frame.



<b>Finish</b>	Powder-coated and brushed stainless steel
<b>Materials</b>	Steel, stainless steel and glass
<b>Weight</b>	15kg
<b>Burner Volume</b>	3 litres
<b>Heat Efficiency</b>	2.7 - 5.4 kW/h
<b>Burning Duration</b>	4-8 hours (depending on flame intensity)





# ELLIPSE CEILING™

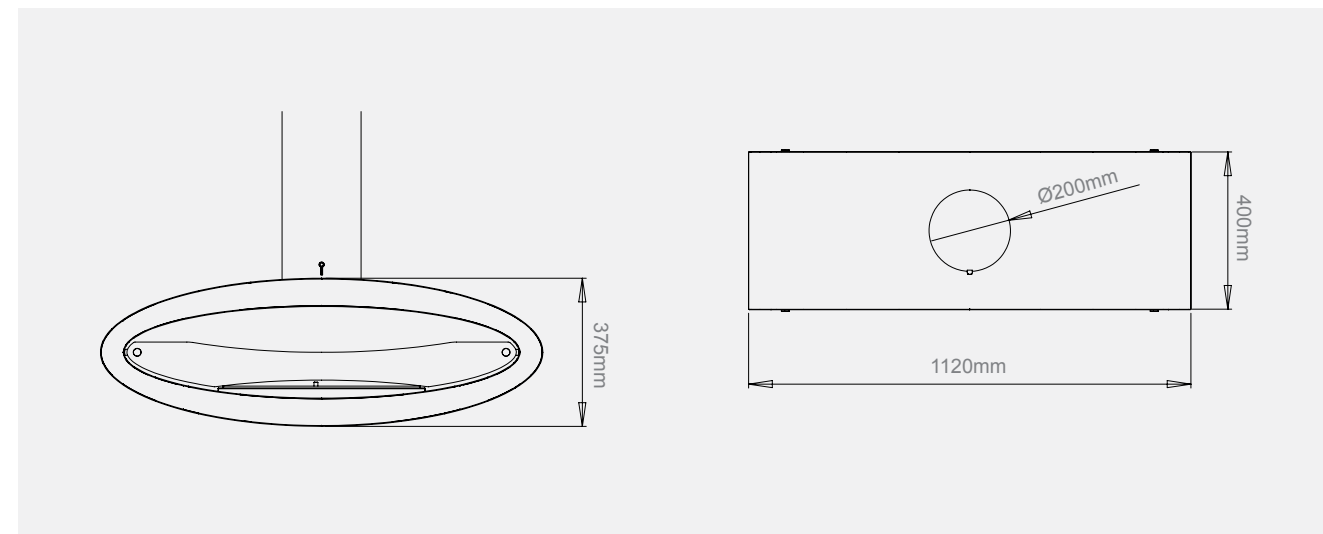
With its elegant, feminine body shape, the Ellipse™ Ceiling is an impressive focal point in any modern interior.

It owes its curvy shape to more than 400 manual bends on each of the four metal sheets which construct the body of the Ellipse™ Ceiling. Organically shaped, hardened glass shields protect the lively dancing flames from air draughts.

The Ellipse Ceiling™ is equipped with a tube, which can be adapted in length to cater for any ceiling height and angle. With a hidden rotation mechanism, the Ellipse Ceiling™ can be freely rotated by 360 degrees, which allows a view of the fire from any location in the room.



<b>Finish</b>	Powder-coated and brushed stainless steel
<b>Materials</b>	Steel, stainless steel and tempered glass
<b>Weight</b>	60kg (excl. tube)
<b>Burner Volume</b>	3 litres
<b>Heat Efficiency</b>	3.0 kW/h
<b>Burning Duration</b>	4-8 hours (depending on flame intensity)



# NICE TABLE-TOP™

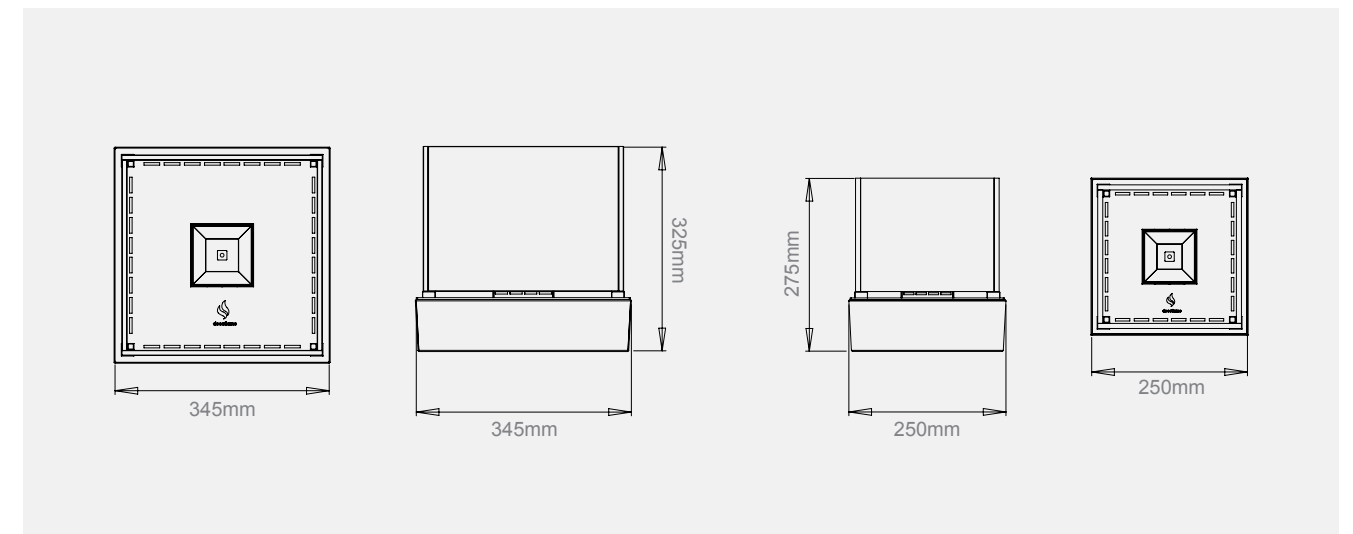
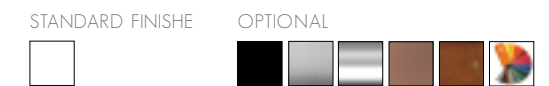
The decoflame® Nice Table-top™ fire comes in four different standard finishes: brushed or polished stainless steel and black or white powder-coated steel. As part of the Nice™ Freestanding fires, the burner comes in a standard finish of white and can be placed on any level surface in- or outdoors.

Nice™ is designed to add the cosiness and wild romantic of an open fire to long summer nights in your garden, on your terrace or in your livingroom. The Nice Table-top™ fire comes in two sizes: the smaller Nice Lounge™ (250mm square) and the larger Nice Tower™ (350mm square).

The decoflame® burner is made of brushed stainless steel and is shielded by an 8mm tempered glass surround.



<b>Finish</b>	Powder-coated and brushed stainless steel
<b>Materials</b>	Steel, stainless steel and glass
<b>Weight</b>	8kg / 12kg
<b>Burner Volume</b>	1.25 litres / 1.80 litres
<b>Heat Efficiency</b>	1.8 kW/h / 2.8 kW/h
<b>Burning Duration</b>	5-6 hours (depending on flame intensity)



# ACCESSORIES DESIGN

---

Decoflame® custom-made fireplaces with a manual burner are supplied with an original NORMANN Copenhagen funnel, a 3M sponge and an extra long lighter. The funnel, lighter and a battery-operated bioethanol pump are available also separately on request.







Decoflame Aps  
Stenholm 14  
9400 Nørresundby  
Denmark  
tel. +45 9630 4800  
info@decoflame.dk  
www.decoflame.com