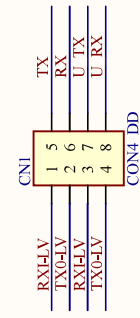
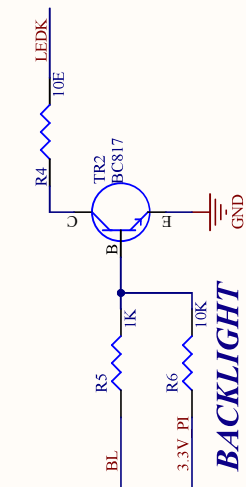


USB TO UART



1.14inch LCD

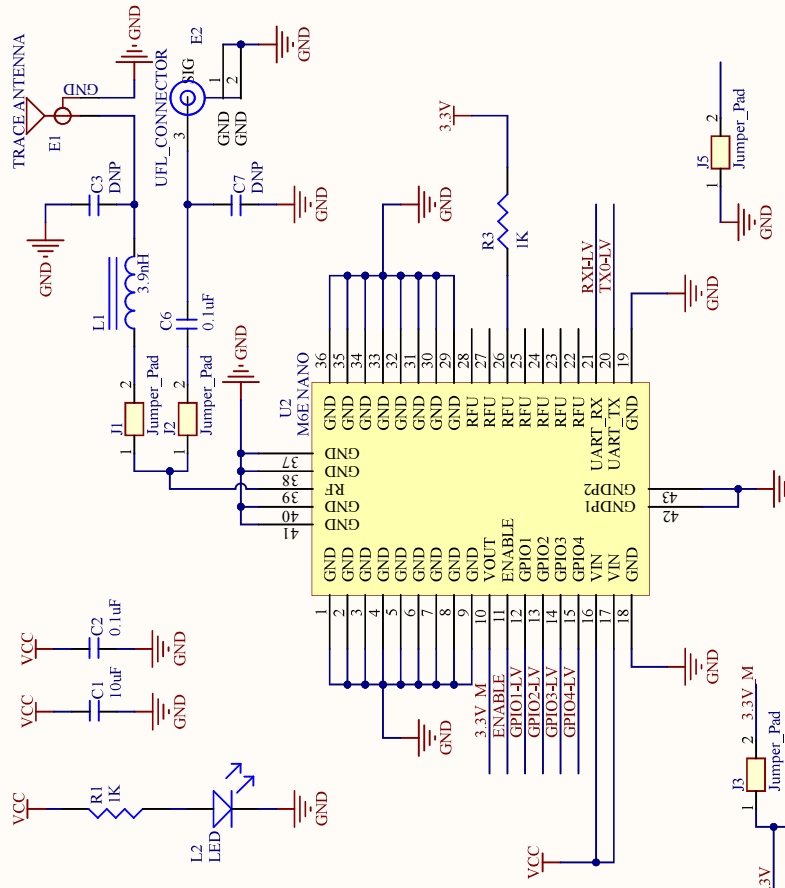
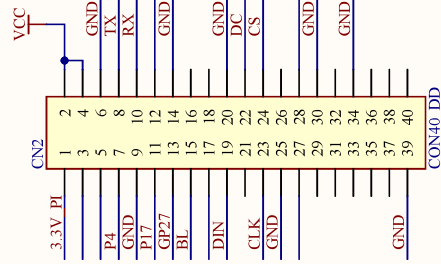


BACKLIGHT

BUZZER



Raspberry Interface



BACKLIGHT



1	ENABLE	DIN
2	GPIO1-4V	CLK
3	GPIO2-4V	DC
4	GPIO3-4V	GP27
5	GPIO4-4V	CS
6	COM6	BL

S11 and S12 select between PCB antenna and the uFL connector.
 Default is PCB antenna.
 Note: This device operates in the 860MHz and 920MHz bands.
 Other devices operating near these bands will be affected and affect the performance of the reader.
 See 'Antenna Considerations' of Design Guide when using an external antenna.

UHF HAT

Size: A4	Revision: V1.0	Sheet: 1/1
Date: 02-04-2022	Time: 12:31:15	DrawnBy: Deepak Singh

