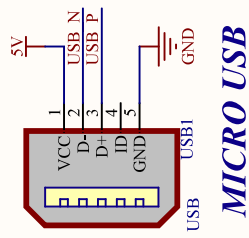


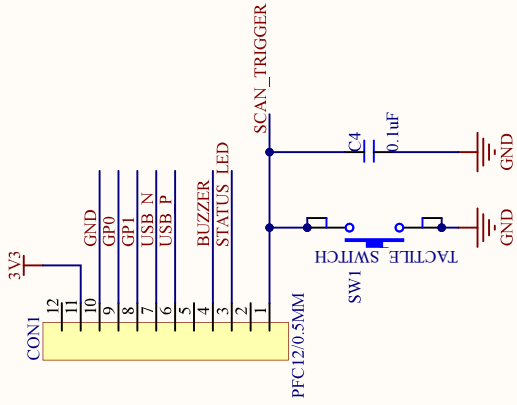
**RT9193-33GB**  
**LDO 5V TO 3V3**



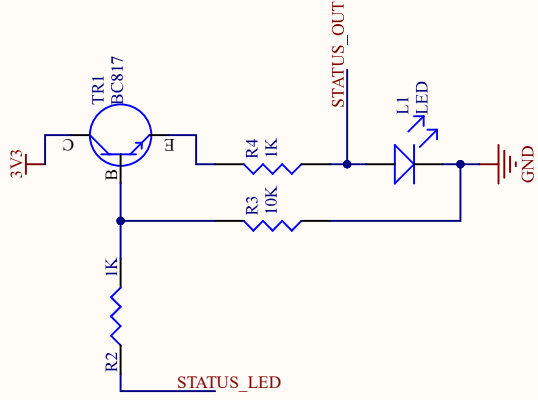
**MICRO USB**



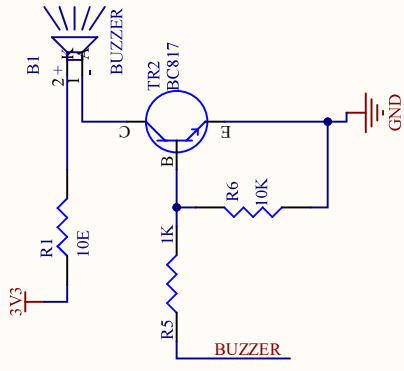
**BARCODE READER**



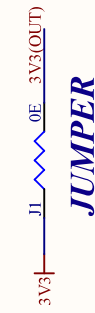
**2D BARCODE READER**



**LED DRIVER**



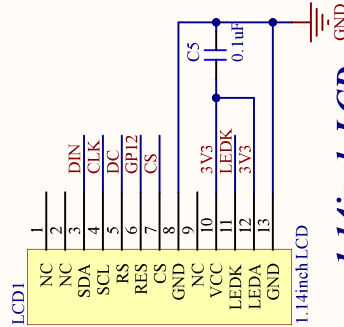
**BUZZER DRIVER**



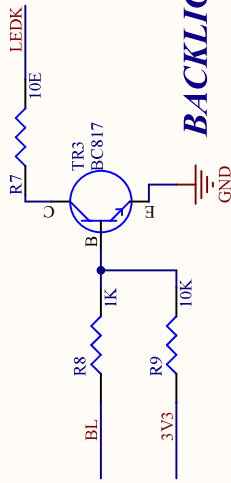
**JUMPER**



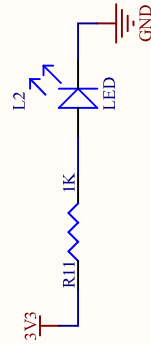
**LCD GPIO CONFIG**



**1.14inch LCD**



**BACKLIGHT**



**POWER LED**

5V	VBUS	40	1	GPIO	GPIO
VSYS	VSYS	39	2	GPIO	GPIO
GND	GND	38	3	GND	
3V3	ENGND	37	4	GP2	GP2
3V3(OUT)		36	5	GP3	
		35	6	GP4	
GP28		34	7	GP5	
GND		33	8	GP6	
GP26		32	9	GP7	
RUN		31	10	DC	
GP22		30	11	DC	
GND		29	12	CS	
GP21		28	13	GND	
GP20	GP21	27	14	CLK	
GP19	GP20	26	15	DIN	
GP18		25	16	GP12	
GND		24	17	BL	
GP17		23	18	GND	
GP16		22	19	GP14	
		21	20	GP15	

**RASPBERRY PI PICO**

**PICO BARCODE HAT**

Size: A4	Revision: <b>V2.0</b>	Sheet: <b>1/1</b>
Date: 28-03-2022	Time: 15:38:35	DrawnBy: Deepak Singh



SB Component Ltd.  
Kemp House, 152-160,  
London EC1Y 2NX.