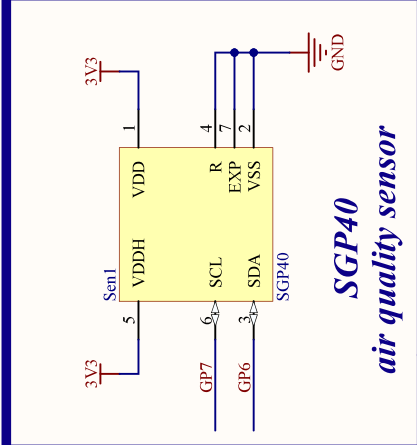
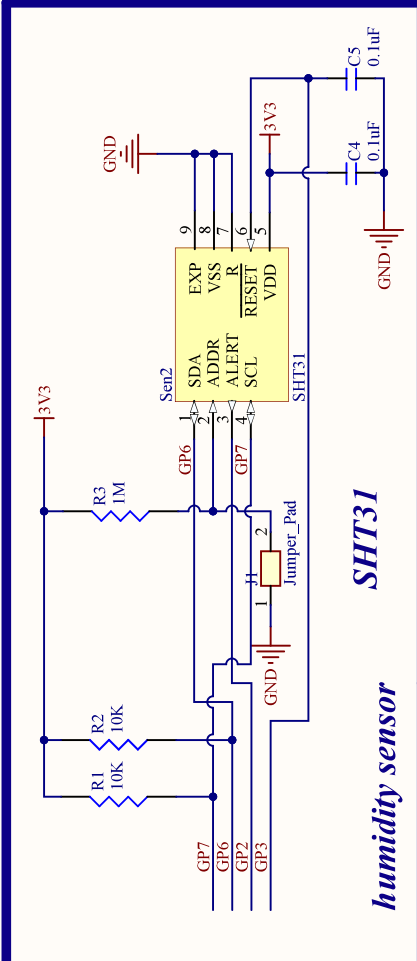


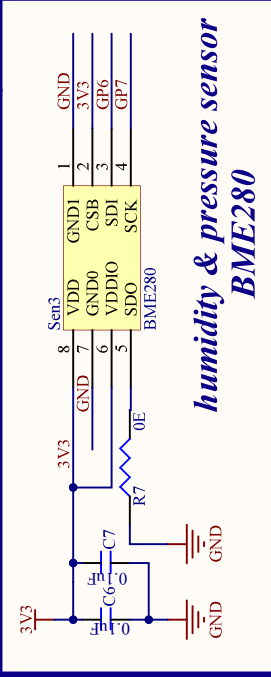
5V TO 3V3



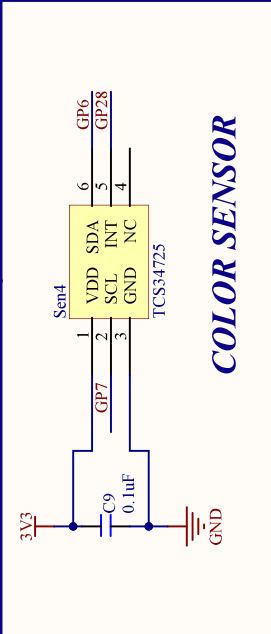
SGP40
air quality sensor



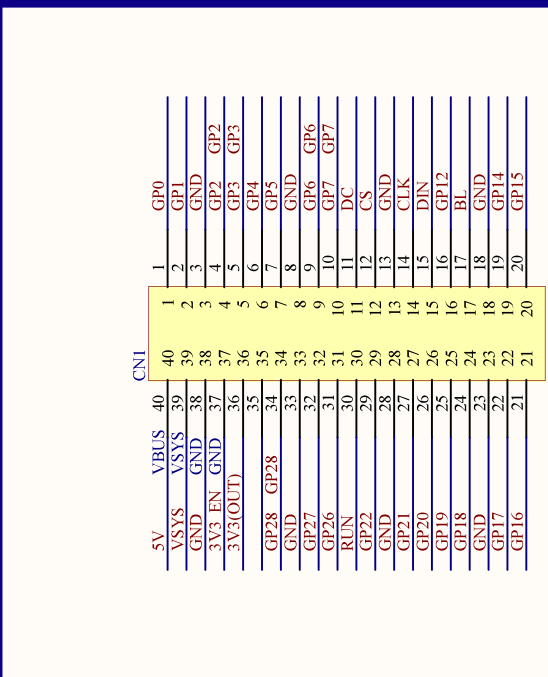
SHT31
humidity sensor



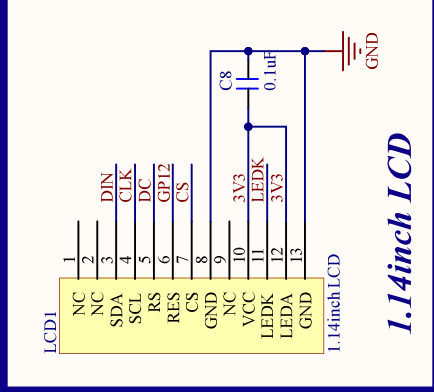
BME280
humidity & pressure sensor



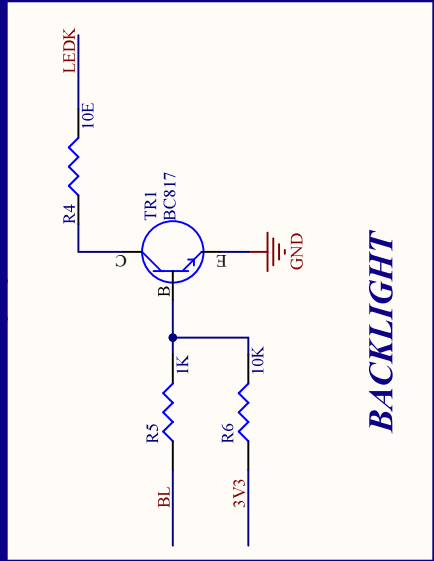
TCS34725
COLOR SENSOR



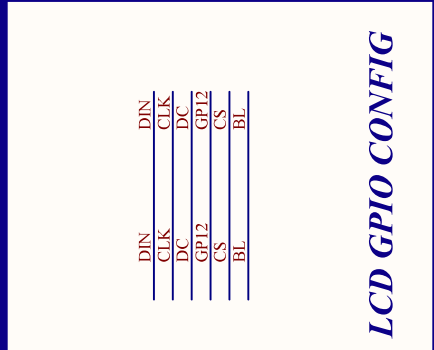
RASPBERRY PI PICO



1.14inch LCD



BACKLIGHT



LCD GPIO CONFIG

PICO SENSE HAT

Size: A4	Revision: V1.0	Sheet: 1/1
Date: 04-04-2022	Time: 17:10:58	DrawnBy: Deepak Singh

