

Tec Vanlife Transit Modular Roof Rack Installation Guide



Tec
Vanlife

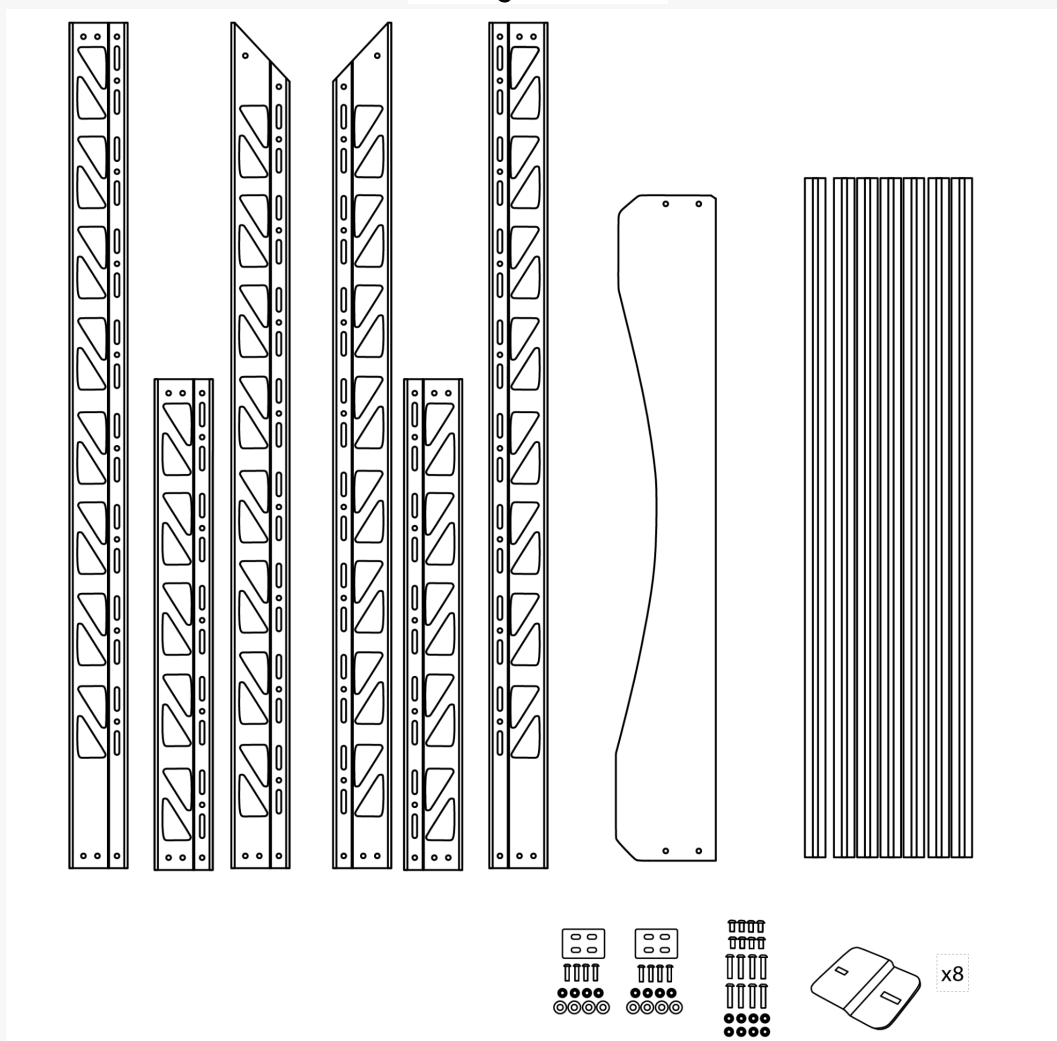


Note: Please read these instructions thoroughly before beginning the installation.

Tools Required:

- Allen Key, Wrench
- Flat Screwdrivers or chisel
- Water Resistant Caulk or Sealants

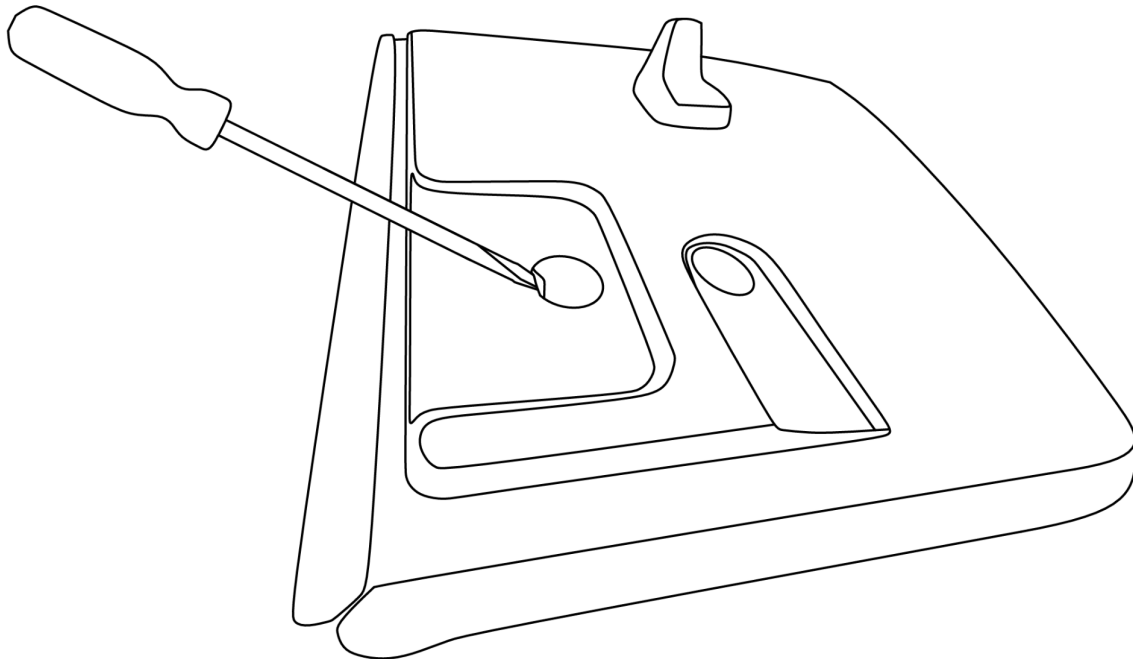
Package Contents



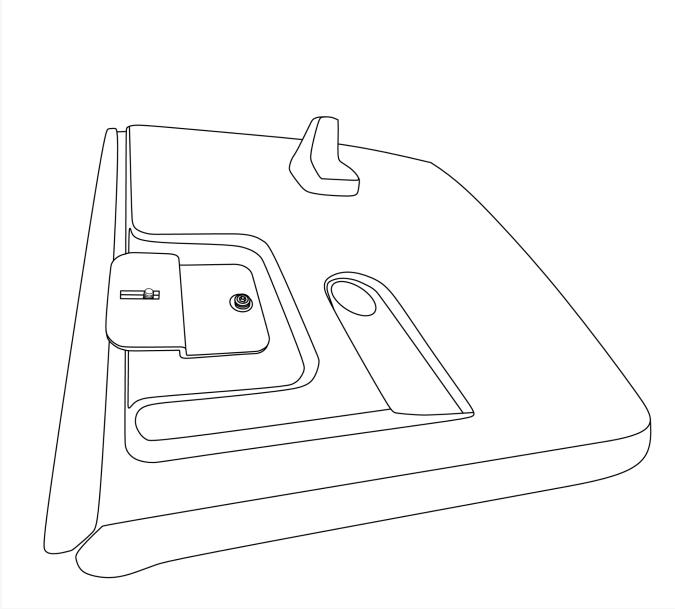
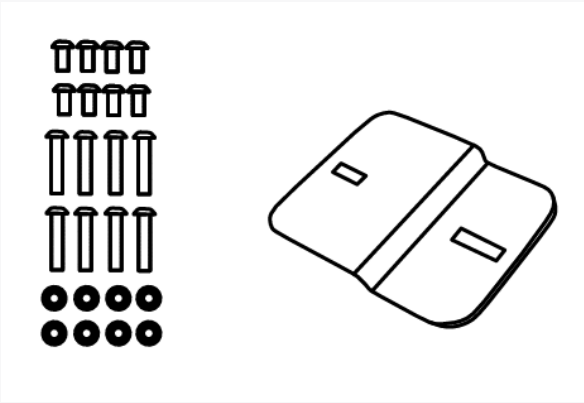
Installation Steps:

Step 1: Remove the cap covering the Transit Roof mounting point using either flat screwdrivers or a chisel.

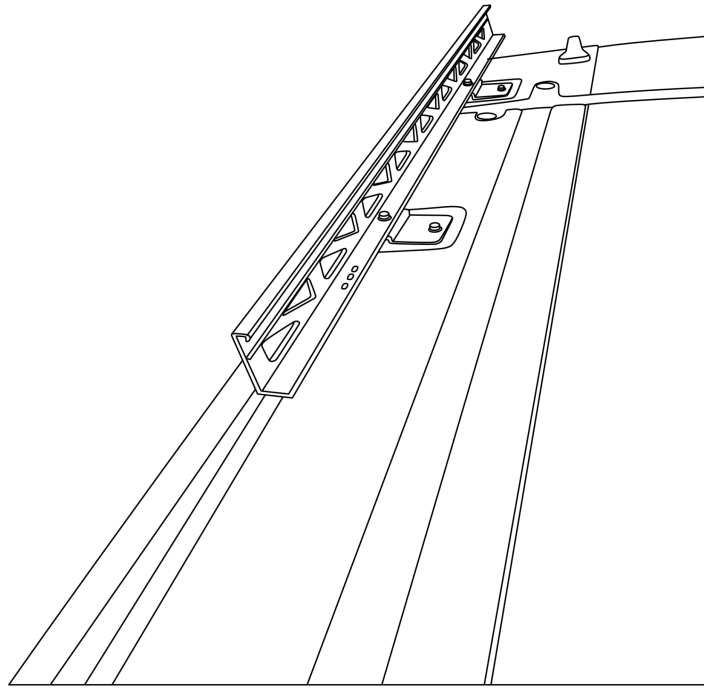
NOTE: DUE TO FACTORY INCONSISTENCIES. YOU MAY NEED TO GRIND CLEARANCE ON THE MOUNTING HOLES OF YOUR VAN TO GAIN ACCESS TO THE THREADED HOLES.



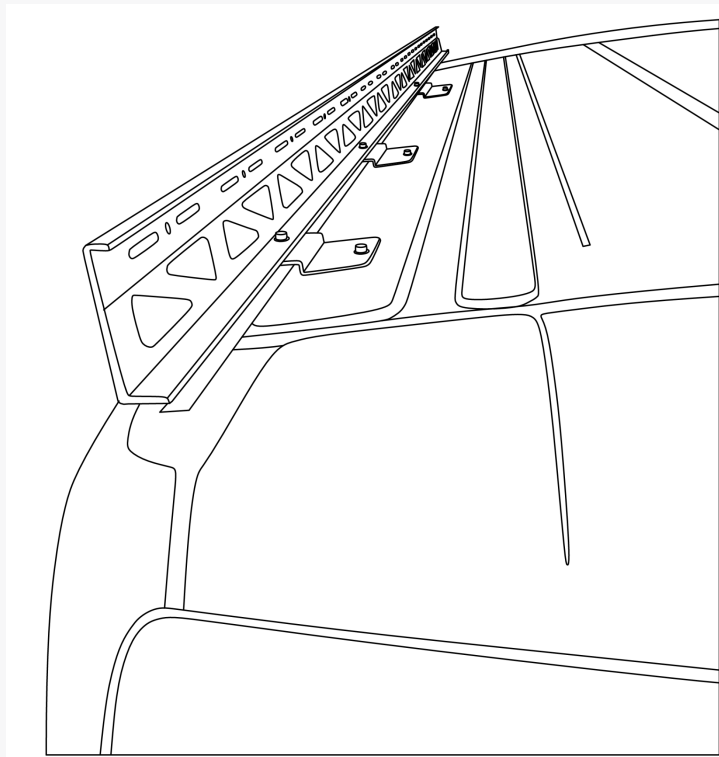
Step 2: Install the mounting tabs into the roof mounting holes, and it is recommended to apply sealant between the mounting tabs and the roof.



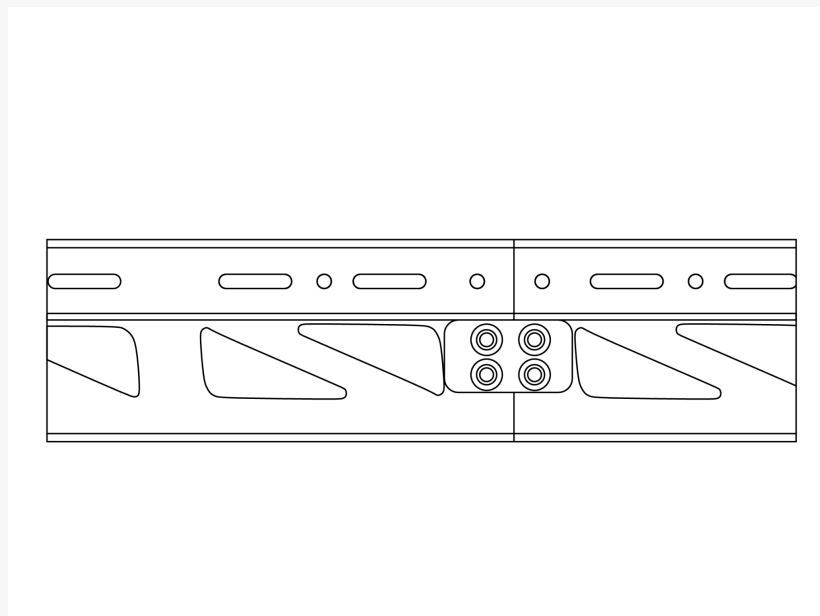
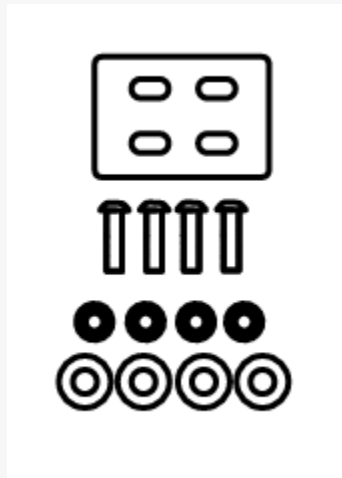
Step 3: Install the front section of the side wall onto the mounting tabs using the provided hardware.



Step 4: Install the rear section of the side wall onto the mounting tabs using the provided hardware.

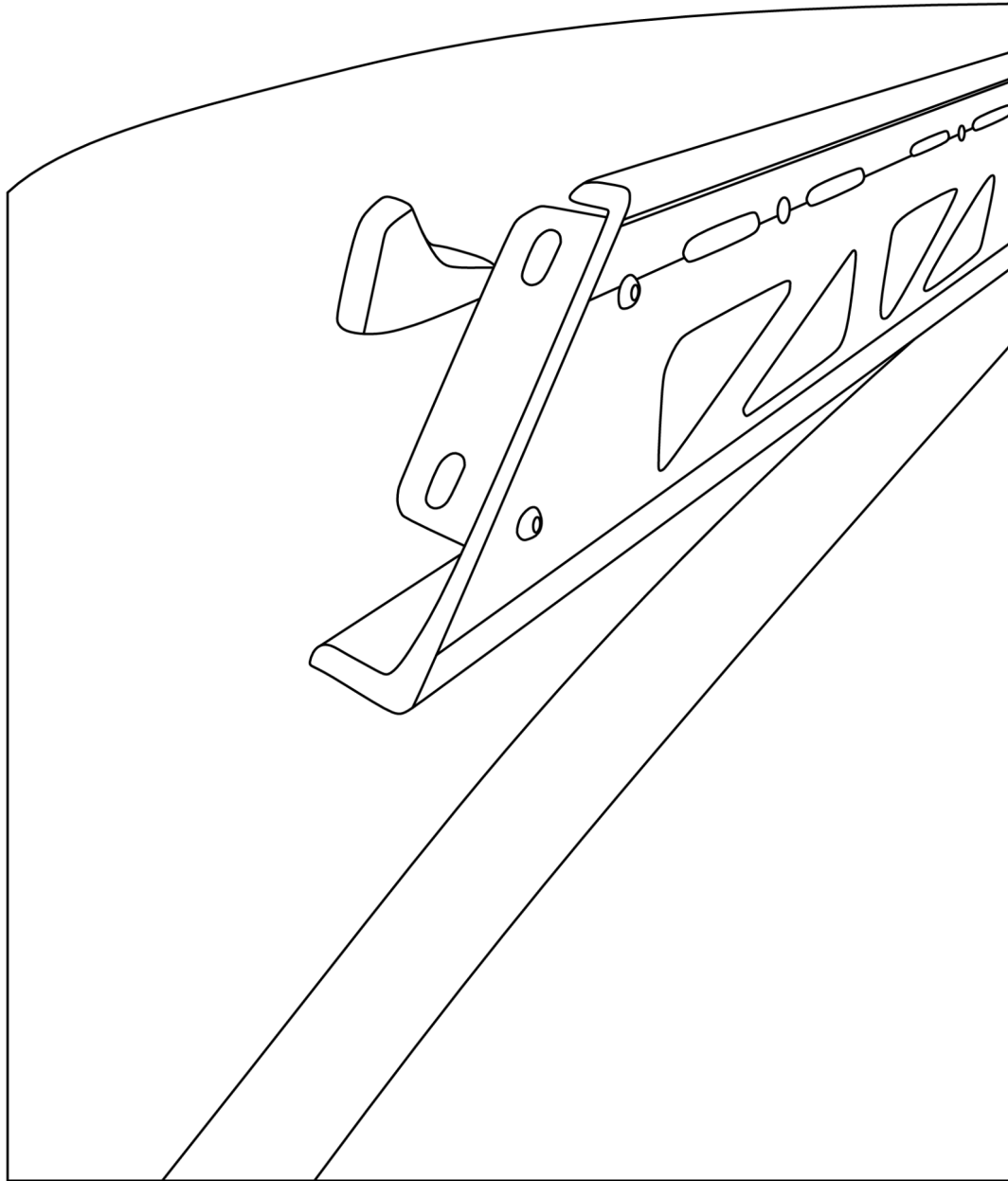


Step 5: Securely bolt together the front and rear sections of the sidewalls using the included tab and hardware.



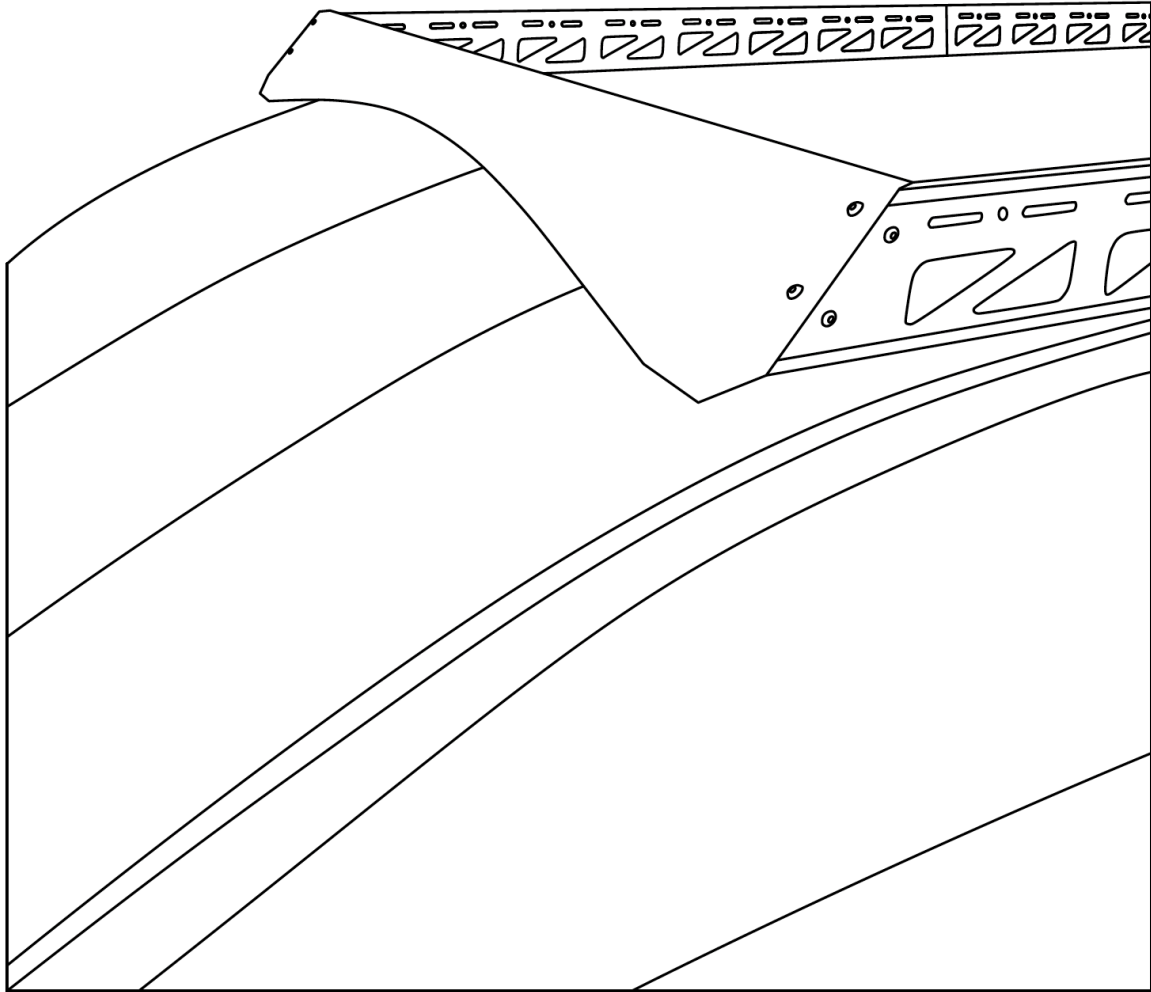
Repeat the process on the other side.

Step 6: Attach the front fairing mounting tabs to the sidewalls.



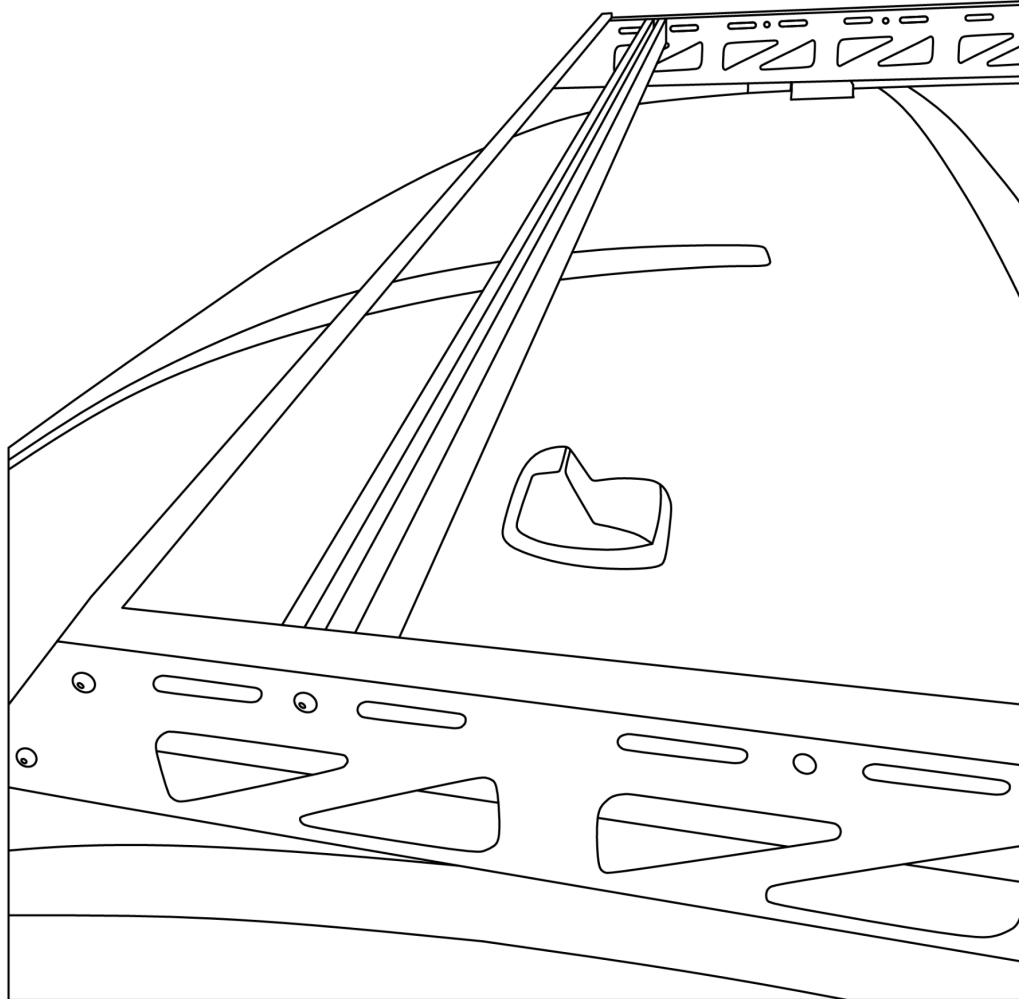
The next two steps are easier with a second person's assistance

Step 7: Attach the fairing to the mounting tabs with hardware included with allen key.

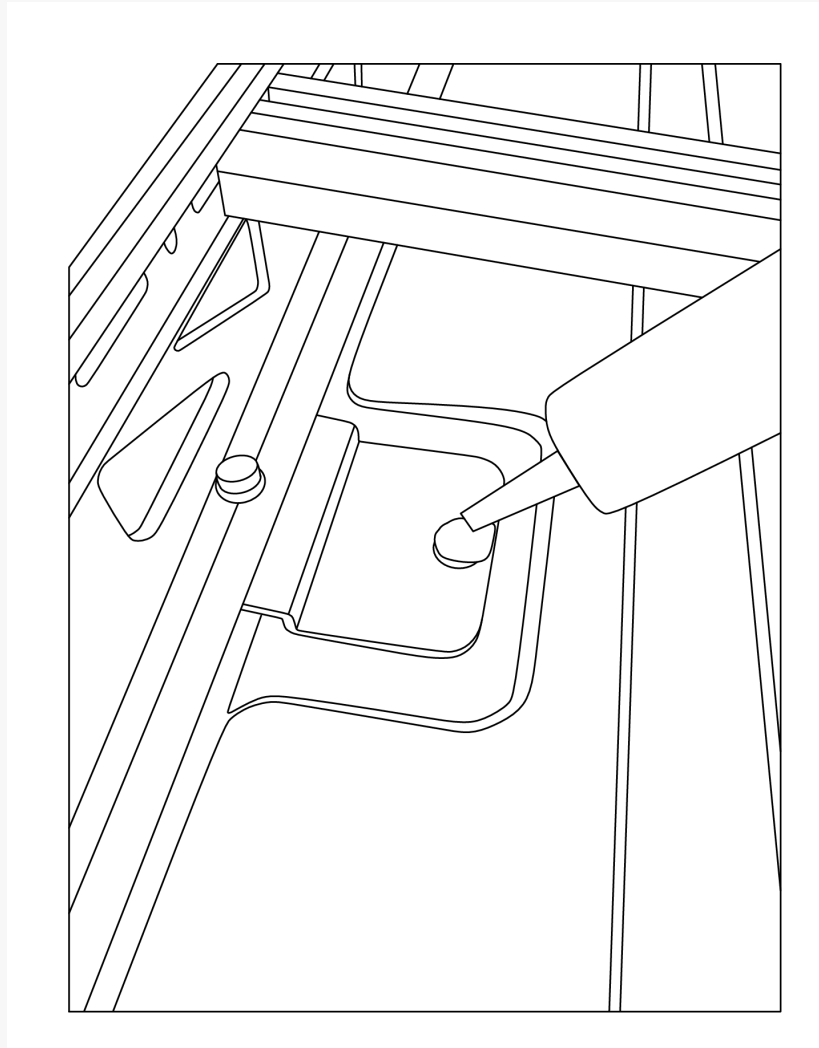


Step 8: Install all the crossbars at the desired locations.

Note: Do not overtighten the bolts for the crossbars.



Step 9: Apply sealant to the bolts for the mounting tabs.



Step 10: Your installation is now complete.

Important Notes:

Before final tightening, double-check to ensure that the roof rack side walls and cross bars are correctly aligned.

Regularly inspect the roof rack to ensure it remains securely fitted.

If you have any doubts or uncertainties about any aspect of the installation process, seek professional assistance.