

Tec Vanlife Sprinter Modular Roof Rack Installation Guide



Tec
Vanlife



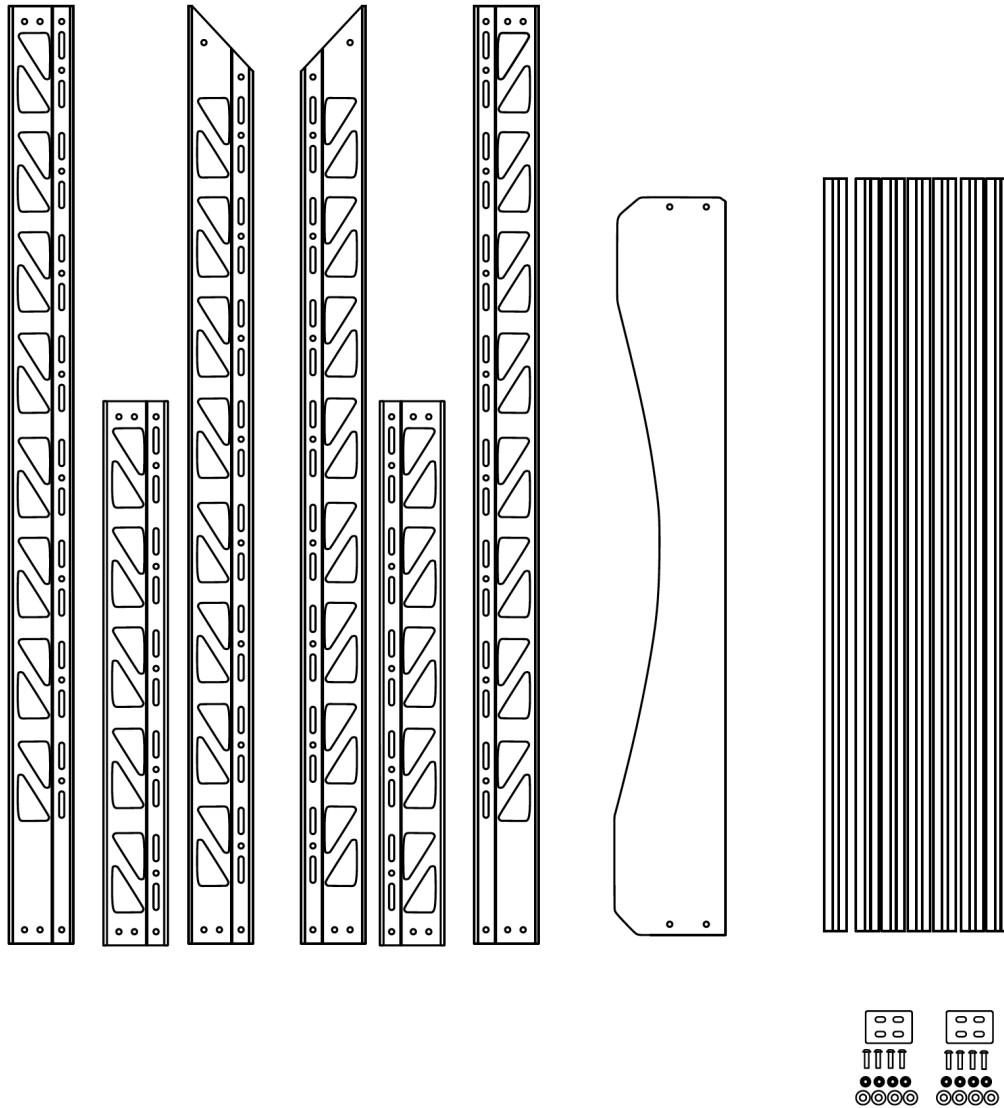
Note: Please read these instructions thoroughly before beginning the installation.

Tools Required:

- Allen Key, Wrench
- Drill
- Rust Proof Solutions

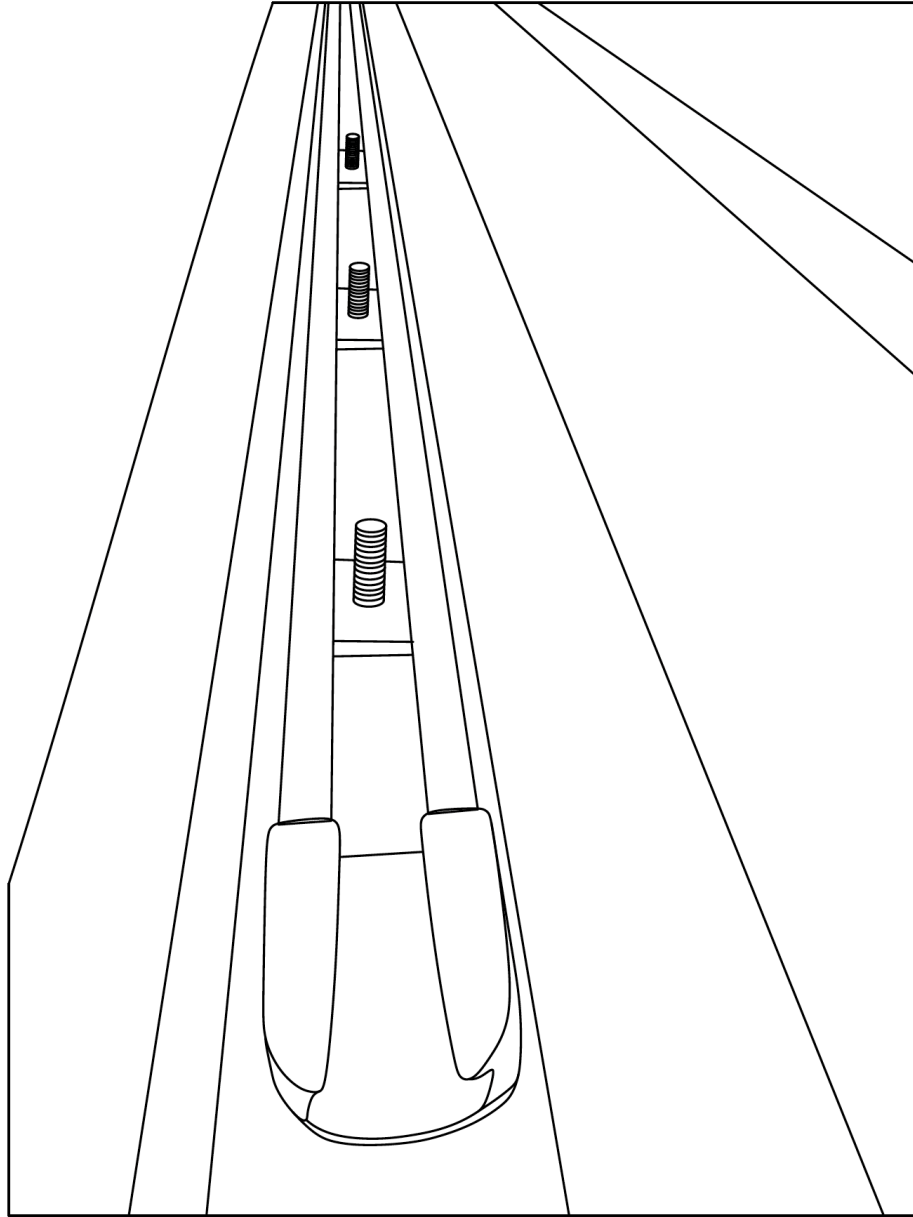
Estimated installation time: 2HRs

Package Contents

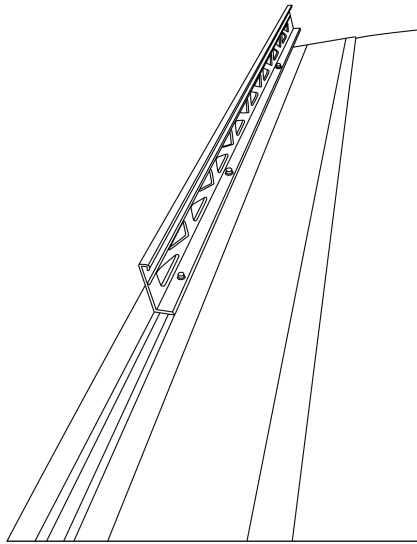


Installation Steps:

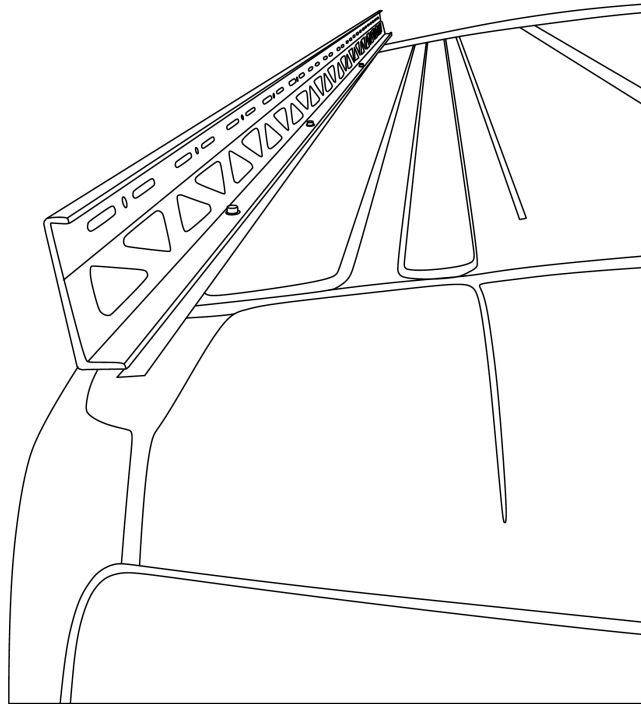
Step 1: Slide the roof rails bolts into the roof rail. (Note, the roof rails bolts maybe be packaged separately.)



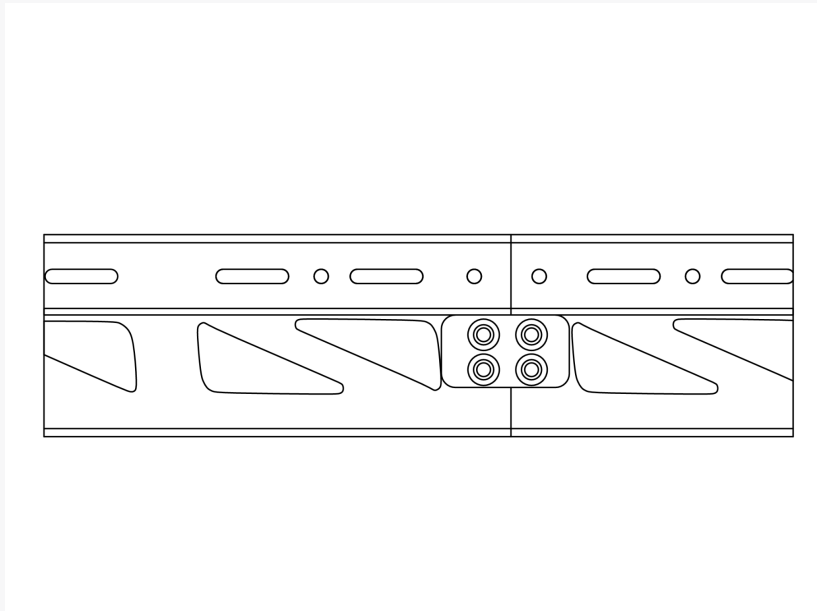
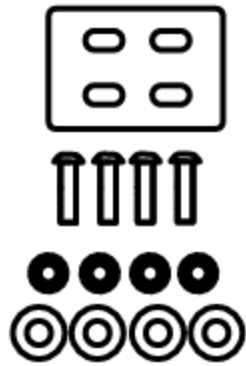
Step 2: Install the front section of the side wall onto the roof rail.



Step 3: Install the rear section of the side wall onto the roof rail.

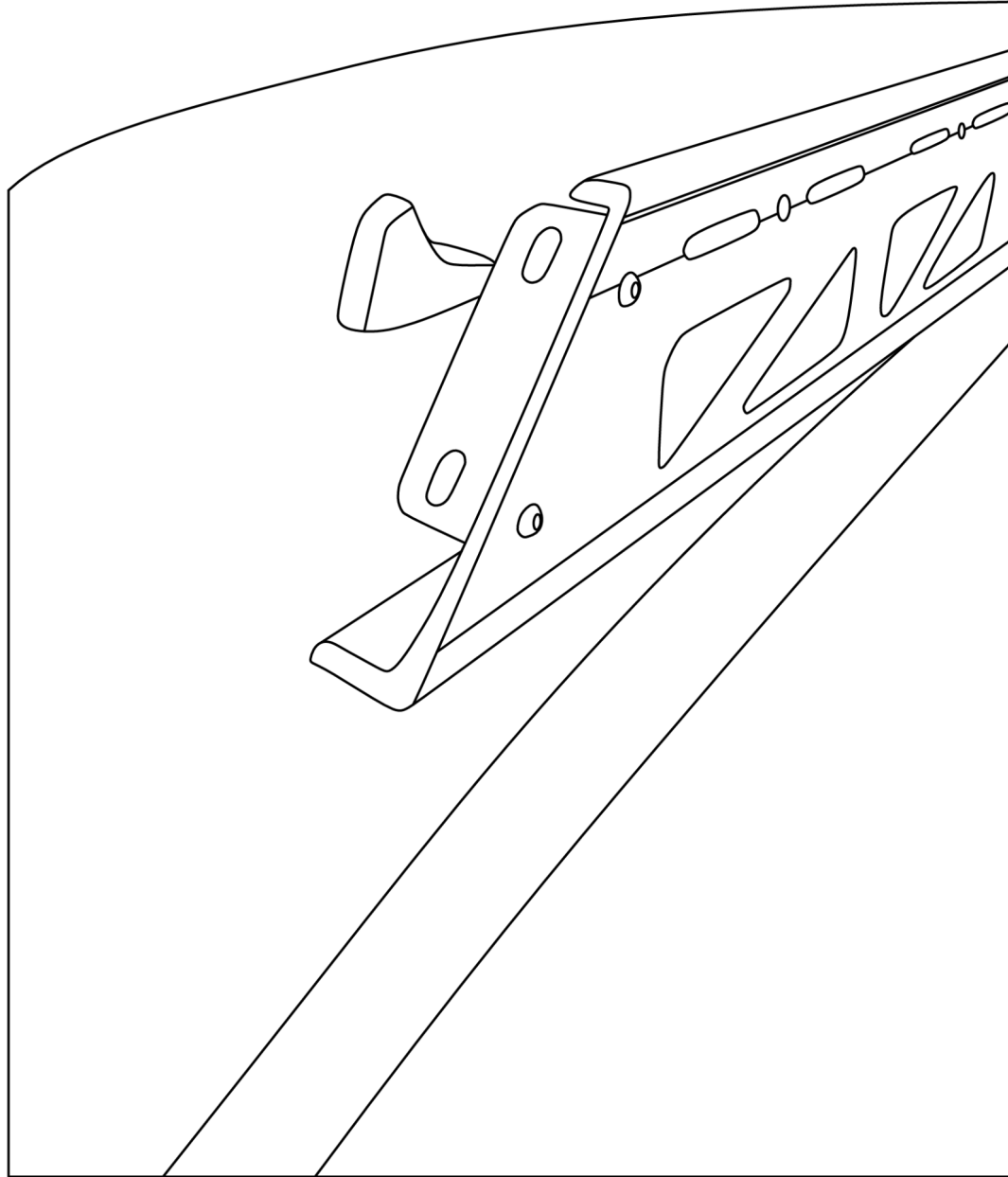


Step 4: Securely bolt together the front and rear sections of the sidewalls using the included tab and hardware.



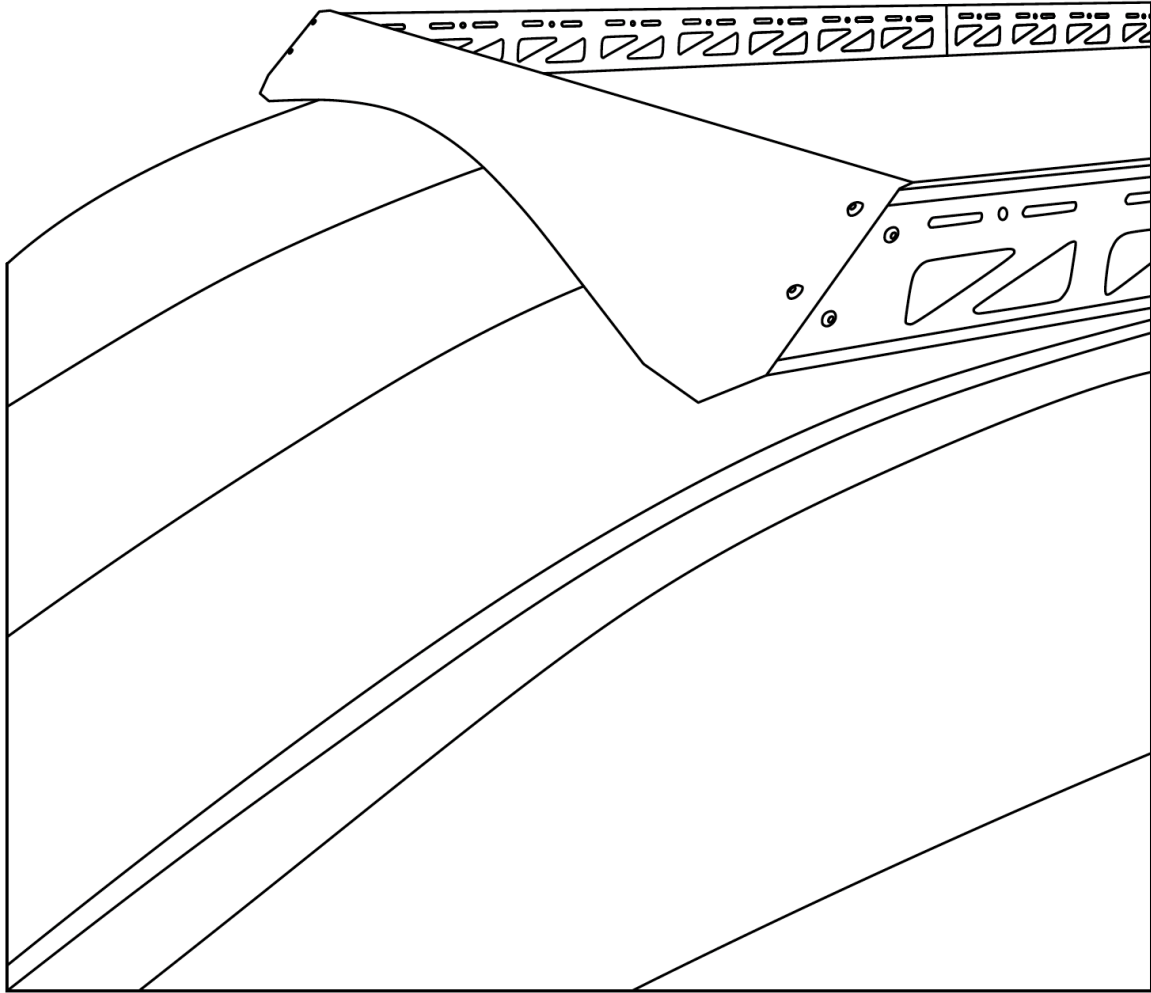
Repeat the process on the other side.

Step 5: Attach the front fairing mounting tabs to the sidewalls.



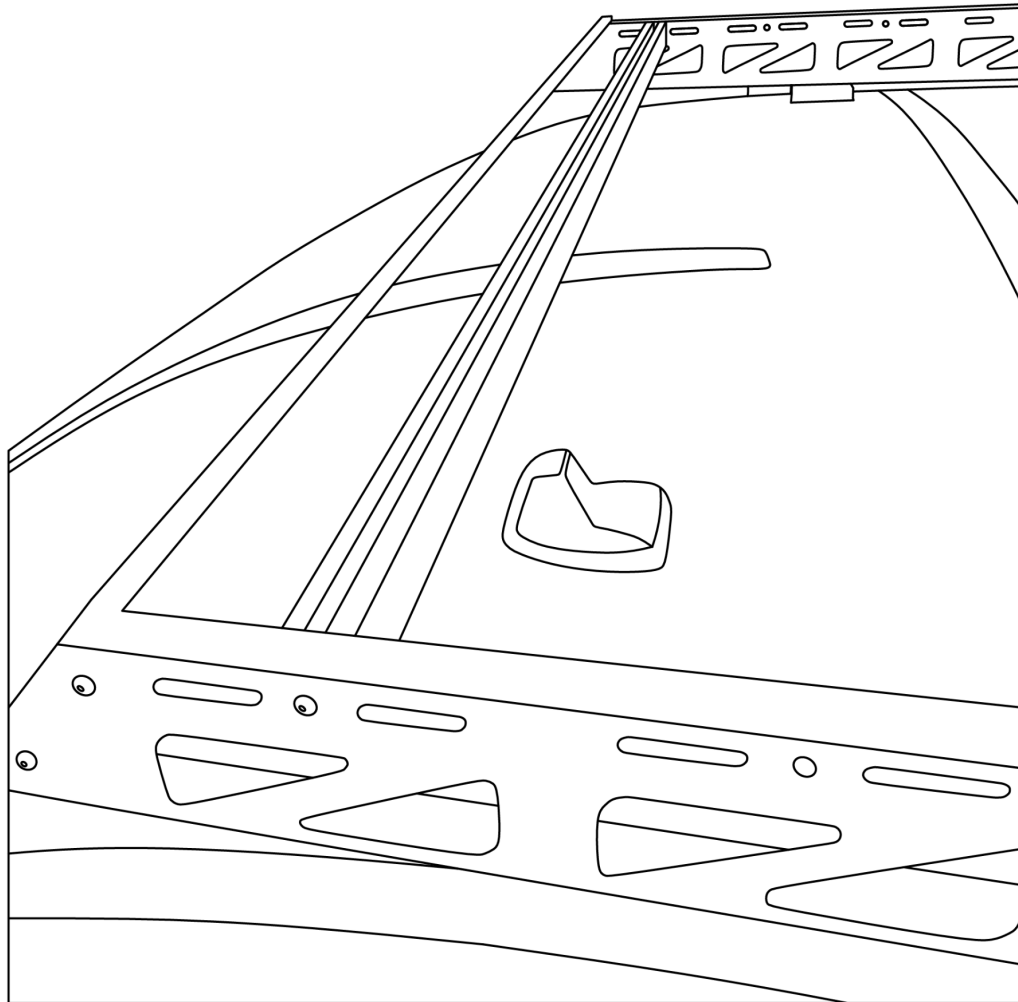
The next two steps are easier with a second person's assistance

Step 6: Attach the fairing to the mounting tabs with hardware included with allen key.



Step 7: Install all the crossbars at the desired locations.

Note: Do not overtighten the bolts for the crossbars.



Your installation is now complete.

Important Notes:

Before final tightening, double-check to ensure that the roof rack side walls and cross bars are correctly aligned.

Regularly inspect the roof rack to ensure it remains securely fitted.

If you have any doubts or uncertainties about any aspect of the installation process, seek professional assistance.