

FORCED AIR DIESEL HEATER

PLANAR 44D



Forced air diesel heater PLANAR 44D is designed for providing instant heat to the interior of any type of the vehicles, boats, and motorhomes.

- With the air heater PLANAR 44D you can reduce cost of fuel in compliancy with “no idling zone” regulations
- The air heater PLANAR 44D is a great way to extend your boating season: for boats 30-40 ft. long
- Efficient performance and quiet operation
- Each heater comes with installation kit
- 2-year warranty on parts and labor

Forced air heater PLANAR 44D

- Operates on diesel and 12V or 24V power independently from engine
- Consumes 1 liter of fuel for up to 4 hours of operation
- Generates 13,600 BTU/h with a strong air flow
- Fully automated temperature control
- Self-diagnostic system
- Compact design and “plug-and-play” installation

PLANAR 44D

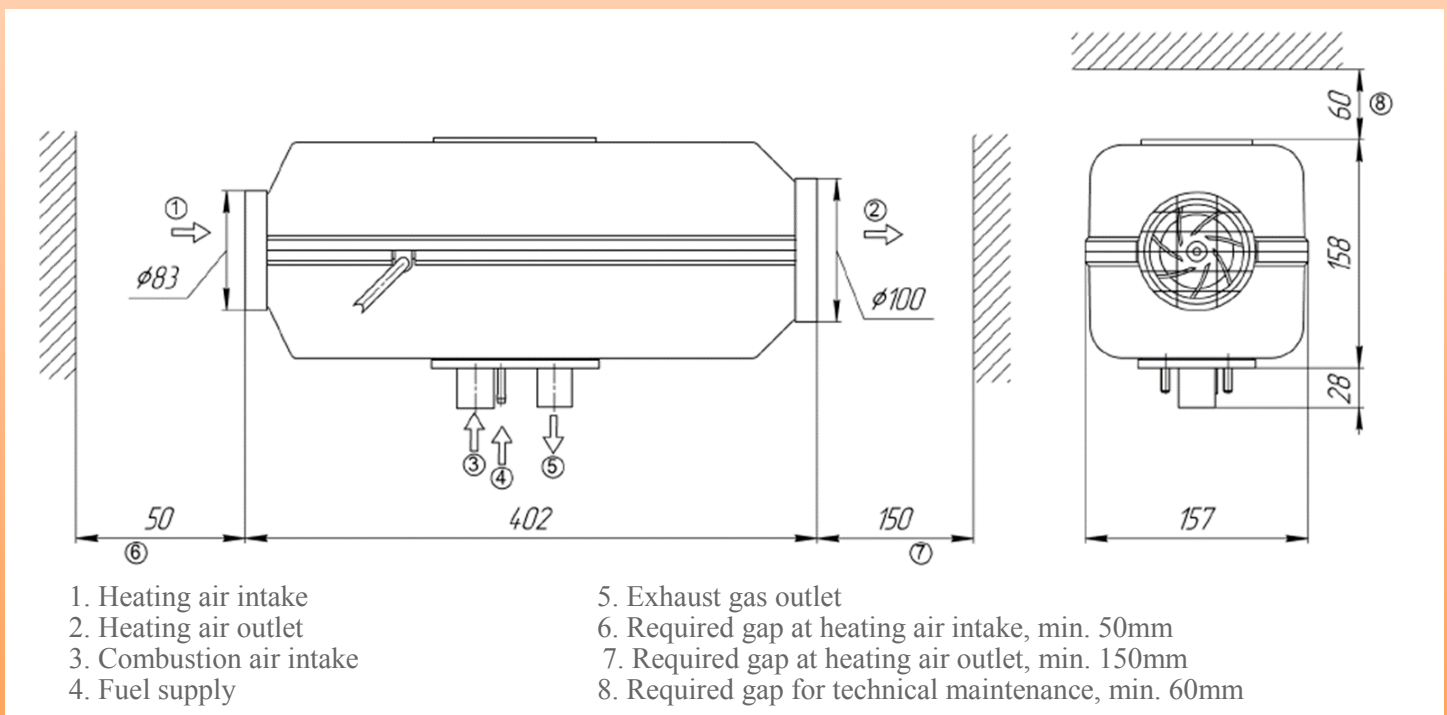
TECHNICAL SPECIFICATIONS



Standard kit includes:

- Air heater PLANAR 44D-12 (or -24)
- Metering fuel pump with fuel lines and wire harness
- Fuel tank, 7L.
- Control panel:
 - automatic temperature control
 - various settings
- Wire harness assembly
- Exhaust flexible pipe, stainless
- Exhaust muffler
- Combustion air intake silencer
- Set of fasteners and hardware
- Instruction manual

PLANAR 44D	
RATED VOLTAGE	12V or 24V
FUEL	DIESEL
HEATING CAPACITY	3,400 - 13,600 btu/h (1.0 - 4.0 kW)
AIR FLOW RATE	41 - 71 ft ³ /m (70 - 120 m ³ /h)
FUEL CONSUMPTION	0.03 - 0.13 gal/h (0.12 - 0.5 l/h)
EL. POWER CONSUMPTION	0.8 - 4.75 A (10.0 - 57.0 W)
WEIGHT	15.5 lbs (7.0 kg)
DIMENSIONS (L x W x H)	15.8 x 6.2 x 6.2 in. (402 x 157 x 158 mm)



PLANAR MARINE and TRUCK AIR HEATERS Ltd.

109-18635 52 Ave.
 Surrey, BC V3S 8E5
 Phone: 1 (604) 372-3222
 Toll free: 1 (844) 259-8591

www.PLANARHEATERS.COM

Contact your local dealer: