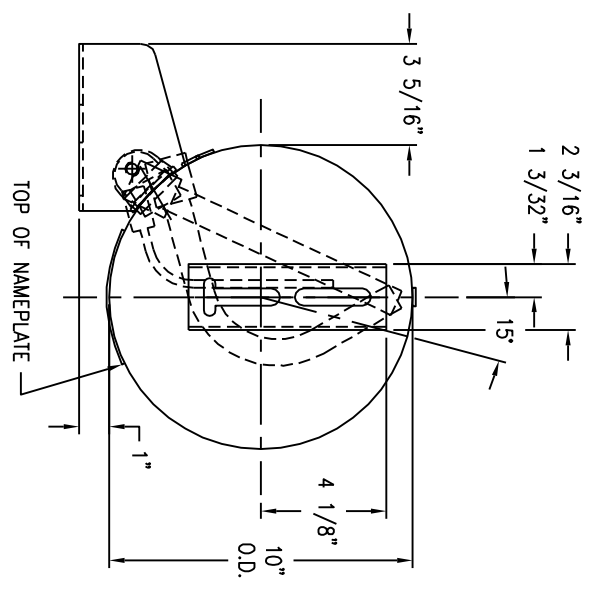
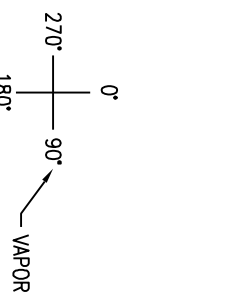


RELIEF V2 CPLNG

VALVE OPENINGS



SPECIFICATIONS

O.D. 10	LGTH. 23	GAL. 6.9	S.A. 5.3
MAMP 312	PSI @ 650 °F	WT. 43#	CUFT. .93
RT- ADMT -20°@ 312 PSI	TEST PSI	CORR ALW	SH
EXMT XRAY	TEST PSI	CODE: ASME SEC. VIII DIV. 1, LATEST EDITION & ADDENDA	HD
CRN F2193.1234567890		WELD DETAILS: M-1932	
		STD. TOLERANCES (UNLESS OTHERWISE NOTED): M-2461	

SYM	DATE	BY	REVISION	APP	XREF	REV	NOTES
D		EGB		MR			1. CENTER THE 3" X 3.1/4" CUT-OUT IN THE GUARD UNDER THE FILL CPLNG.
E		EGB		EGB			
F		TA		TA			
G		EGB		EGB			

DRAWN BY		DATE	SCALE: NONE
DN			
APP. BY		DATE	DRAWING NO.
JD			6813



VAPOR APPLIANCE TANK