

# FURRION LIT

## PORTABLE BLUETOOTH SPEAKER

FBS012N



Portable Bluetooth Speaker

Wireless Charging Dock



Rail/Bike Mount



Strap Mount



Hand Strap



**SOS**  
MORSE  
EMERGENCY SOS  
LIGHT & SIREN

**IPX7**  
WATERPROOF  
& SUBMERSIBLE  
UP TO 1m/30mins

**EXPLOSIVE DIGITAL  
SOUND PROCESSOR**

**SANDPROOF**

**SHOCKPROOF**

**FLASHLIGHT**

**CONNECT  
2 SPEAKERS**

**UP TO 15hrs**  
PLAYTIME

**CHARGING**  
WIRELESS DOCK 3hrs /  
USB 5hrs

**WORKS WITH  
SIRI® / GOOGLE NOW™**

**STRAP MOUNT**  
(Sold Separately)

**RAIL/BIKE MOUNT**  
(Sold Separately)

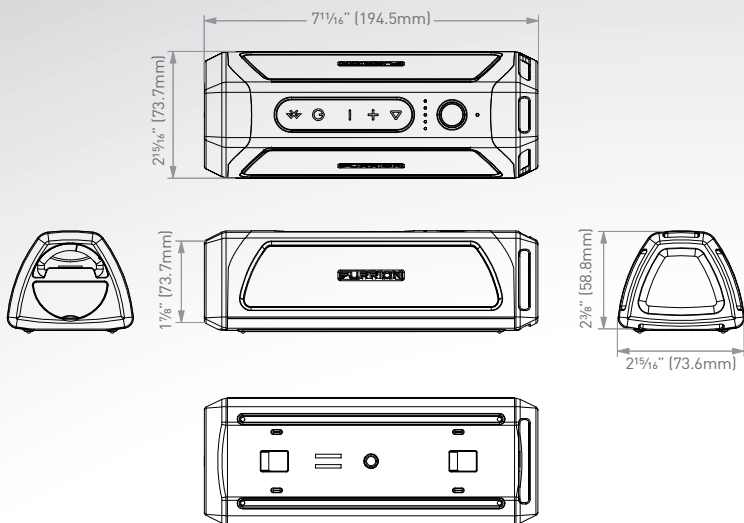
**HAND STRAP**  
(Sold Separately)

**WIRELESS  
CHARGING DOCK**  
(Sold Separately)

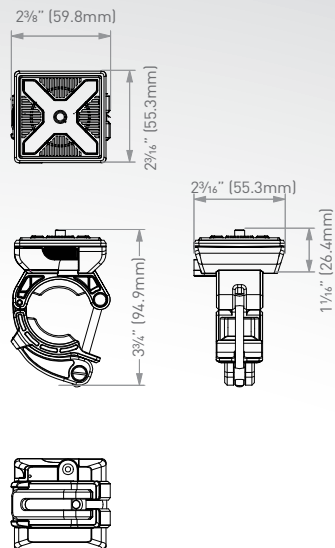


# FBS012N | PORTABLE BLUETOOTH SPEAKER

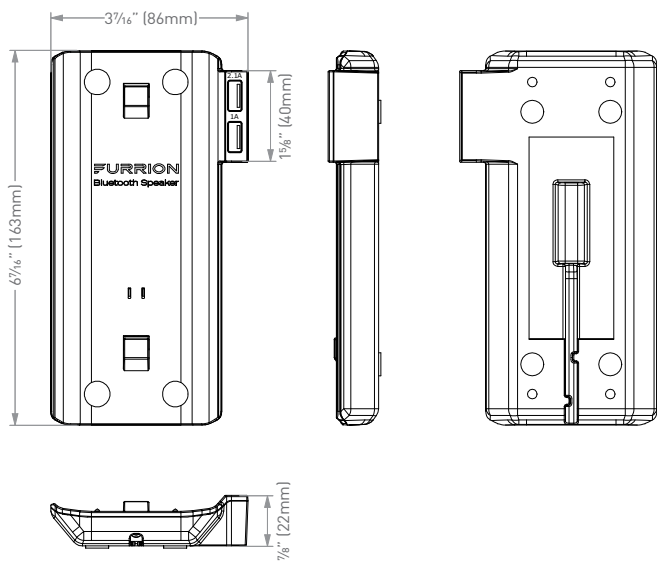
## Portable Bluetooth Speaker



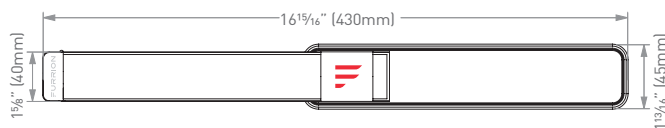
## Rail/Bike Mount



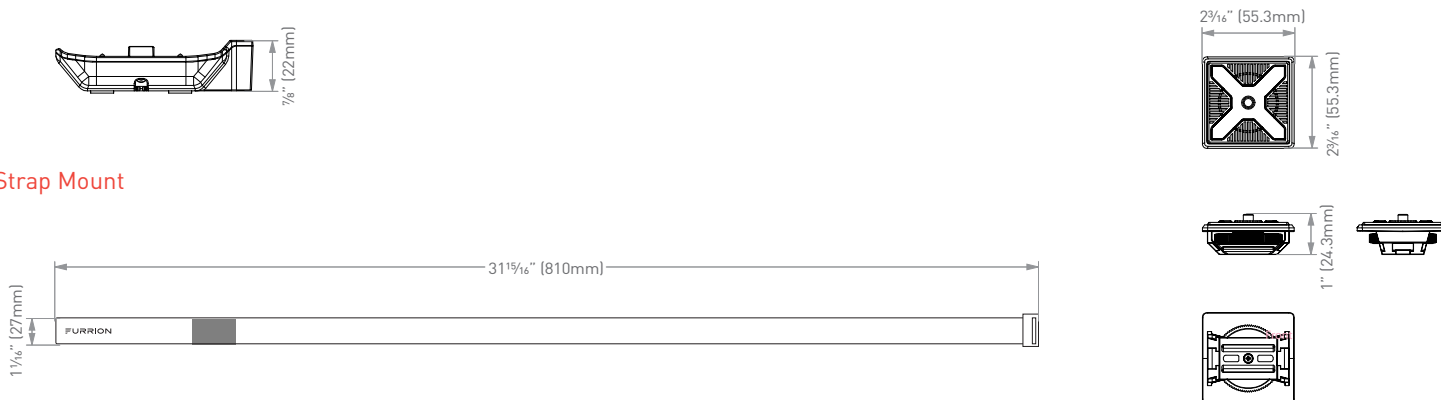
## Wireless Charging Dock



## Hand Strap



## Strap Mount



USA Innovation Center & Institute of Technology: 52567 Independence Ct. Elkhart, IN 46514  
 Customer Service & Technical Support: Email: support@furriion.com Tel: (888) 354 5792 www.furriion.com

Furriion®, the Furriion logo and Furriion LIT™ are trademarks licensed for use by Furriion Ltd. and registered in the U.S. and other countries. ©2007-2018 Furriion Ltd.  
 The Bluetooth word mark and logo are registered trademarks of Bluetooth SIG, Inc. N-Mark is a trademark of NFC Forum, Inc. registered in the U.S. and other countries.  
 Google Now is a trademark of Google, Inc. registered in the U.S. and other countries. Siri is a trademark of Apple, Inc. registered in the U.S. and other countries.  
 The N-Mark is a trademark or registered trademark of NFC Forum, Inc. in the United States and in other countries.



# FBS012N | PORTABLE BLUETOOTH SPEAKER

Part Number	Product	Packaging Information (L x H x W)	Weight	Master Carton (L x H x W)	Weight
FBS012N-BL/PS	+ Flat Micro USB Cable (Cable color depends on bt speaker color) (Length = 0.5m)	Color Gift Box - 1pcs 3 1/4" x 9 3/4" x 3 3/4" (100 x 236 x 90mm)	Net: 0.6kg/1.4lbs Gross: 0.8kg/1.8lbs	Master Carton Box - 6pcs 11 1/4" x 8 1/2" x 11 3/4" (285 x 216 x 300mm)	Net: 5.1kg/11.3lbs Gross: 5.5kg/12.2lbs
FBS012NMP	+ Rubber Foot x 4 + Double side adhesive Tape + Screw x 4 + DC-Bare Wire Cord + Interchangeable Plug Adapter + Screw hole cover	Color Gift Box - 1pcs 5 1/2" x 7 1/4" x 2 7/8" (140 x 202 x 73mm)		Master Carton Box - 6pcs 12 1/4" x 8 1/4" x 9 1/4" (316 x 221 x 243mm)	Net: 5kg/ 11.0lbs Gross: 4kg/ 8.8lbs
FBS012NBC-BL/PS	+  + Screw x 4 + DC-Bare Wire Cord + Screw hole cover				
FBS012NCP	+ Screw x 4 + DC-Bare Wire Cord + Screw hole cover			Master Carton Box - 20pcs 13 3/4" x 8 7/8" x 9 5/8" (338 x 225 x 244mm)	
FBS012NSM	+ Furrion Velcro Strap	Color Gift Box - 1pcs 2 3/4" x 4 3/4" x 3 1/4" * (60 x 120 x 100mm) *			
FBS012NHS		Color Gift Box - 1pcs 2 3/4" x 4 3/4" x 3 1/4" * (60 x 120 x 100mm) *			
FBS012NBS		Color Gift Box - 1pcs 2 3/4" x 4 3/4" x 3 1/4" * (60 x 120 x 100mm) *			
FBS012NAP	+  + Furrion Velcro Strap	Color Gift Box - 1pcs 5 1/4" x 8 3/4" x 2 1/2" * (128 x 208 x 62mm) *		Master Carton Box - 6pcs 12 1/4" x 9 1/4" x 9 1/4" * (308 x 250 x 248mm) *	
FBS012NAP-BL/PS	+  +  + Furrion Velcro Strap				

\* Estimated dimensions

## Specifications (Bluetooth Speaker)

Speaker Driver	2 x 39mm + 2 x passive radiator
Rated Power	2 x 10W RMS
Signal To Noise Ratio	≥ 80dB
System Total Harmonic Distortion	≤ 1%
Bluetooth Version	4.1
Support	AVRCP 1.4, A2DP V1.2, HFP V1.6
Bluetooth Range	10m
Operation Temperature Range	-10 °C to 45 °C
Battery Capacity	7.4v/1800mAh
Torch Light Effect	Focus
Torch Light Standard	≥ 500 Lumens
Waterproof Level	IPX 7
Playtime	Up to 15 hours (playtime can vary depending on volume level and audio content)
Bluetooth Transmitter Frequency Range	2.4GHz (2.402-2.480GHz)
Bluetooth Transmitter Power	≤ 3.88dBm

## AV Inputs & Outputs

Charge In	DC5V/1A, DC12V/1A
USB Charging Out	DC5V/1A
Speaker Phone	√
NFC	√
SOS Light Effect	√

## Specifications (Charging Base)

USB Port Out	DC5V/2.1A, DC5V/1A
Charge Out	DC12V/1A
Charger Base Source	DC12V/3A

USA Innovation Center & Institute of Technology: 52567 Independence Ct. Elkhart, IN 46514  
Customer Service & Technical Support: Email: support@furrion.com Tel: (888) 354 5792 www.furrion.com

Furion®, the Furion logo and Furion LIT™ are trademarks licensed for use by Furion Ltd. and registered in the U.S. and other countries. © 2007-2018 Furion Ltd.  
The Bluetooth word mark and logo are registered trademarks of Bluetooth SIG, Inc. N-Mark is a trademark of NFC Forum, Inc. registered in the U.S. and other countries.  
Google Now is a trademark of Google, Inc. registered in the U.S. and other countries. Siri is a trademark of Apple, Inc. registered in the U.S. and other countries.  
The N-Mark is a trademark or registered trademark of NFC Forum, Inc. in the United States and in other countries.