

# INSTALLATION INSTRUCTIONS

## NOMAD™ SERIES SWING OUT UPPER RACK

**Application:** Add On Accessory for Nomad Series Rear Swing Out

Thank you for choosing Backwoods Adventure Mods for your bumper! We value our customers and the off road lifestyle.

**Safety First!** Thoroughly read all instructions and warnings before beginning the installation. Use your own judgment and, if necessary, have the installation done by a professional.

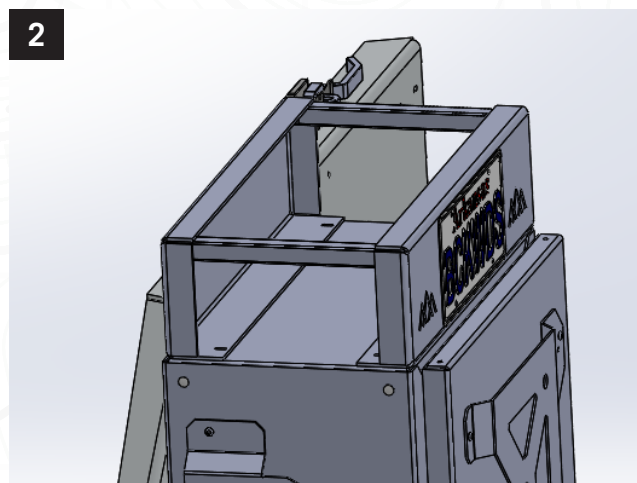
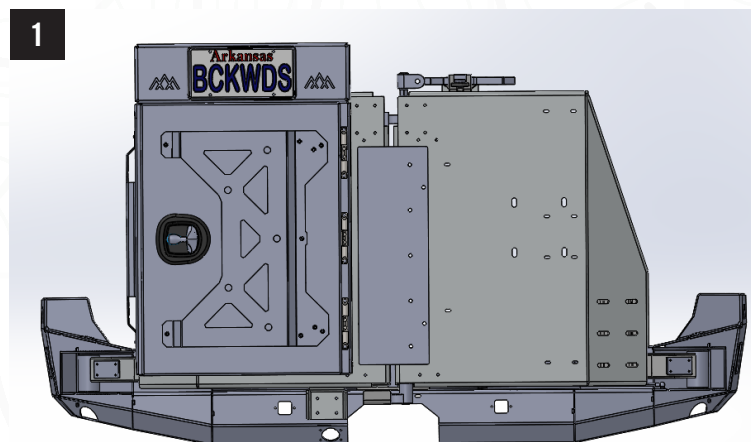
This bumper is intended for off-road use only. The owner assumes all liability for installation and use. Any sensor will have an altered view when installed in an after-market bumper.

### Hardware Kit Included:

BW00-0031

**Accessories are designed to be installed after the bumper install is completed. Please refer to the bumper installation manual.**

1. The Upper Rack is designed to be installed on top of the toolbox. It must be installed on the side that is opposite of the swing out latch. **Picture 1-2**



Application: Add On Accessory for Nomad Series Rear Swing Out

2. The hardware provided is designed to create a weather-tight seal. Install the bolts from inside of the box. The rubber-backed washer is installed onto the bolt first. The rubber side should come into contact with the box. The flat washer, lock washer, and nut are installed from the outside. See **Picture 3** for the correct order. Refer to **Pictures 4** for the correct bolt locations. The four holes in the front of the rack are for mounting your license plate.

