

INSTALLATION INSTRUCTIONS

NOMAD™ SERIES SWING OUT DROP DOWN BOXES



Application: Add On Accessory for Nomad Series Rear Swing Out

Thank you for choosing Backwoods Adventure Mods for your bumper! We value our customers and the off road lifestyle.

Safety First! Thoroughly read all instructions and warnings before beginning the installation. Use your own judgment and, if necessary, have the installation done by a professional.

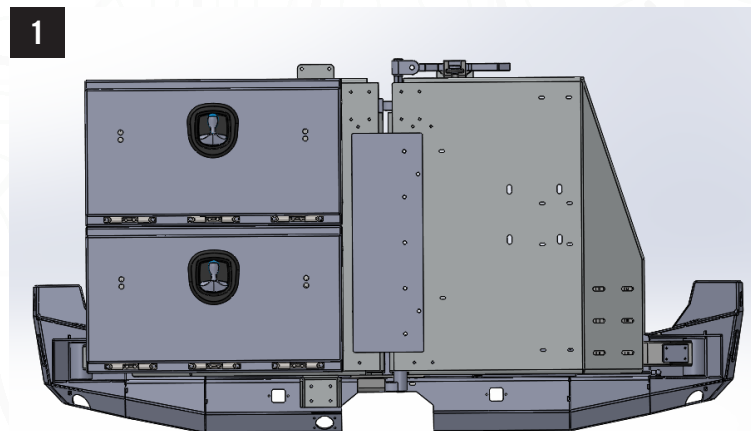
This bumper is intended for off-road use only. The owner assumes all liability for installation and use. Any sensor will have an altered view when installed in an after-market bumper.

Hardware Kit Included:

BW00-0030

Accessories are designed to be installed after the bumper install is completed. Please refer to the bumper installation manual.

1. Determine which side you want to place the boxes. We recommend you install them on the opposite side of the swing out latch. Typically, this would be the driver side of the van. **Picture 1** The boxes are sold in pairs; only one of the boxes will contain the hardware. This will be noted by a sticker on the packaging. **Picture 2**



2. The hardware provided is designed to create a weather-tight seal. Install the bolts from inside of the box. The rubber-backed washer is installed onto the bolt first. The rubber side should come into contact with the box. The flat washer, lock washer, and nut are installed from the outside. See **Picture 3** for the correct order. Refer to **Pictures 4-8** for the correct bolt locations. It's easiest to install the lower box first. When you set the upper box on top of the lower box, start all bolts that secure the boxes together, as well as to the accessory panel, before tightening.

