

Rear Bumper Installation Instructions

P/N 210506: 2019+ Mercedes Sprinter Rear Bumper

Before you begin:

- *Stainless steel hardware may bind together when tightening — apply an anti-seize assembly lubricant to the threads of each bolt before assembly*
- *This installation requires two or more people*

Required Tools:

- Standard and metric wrench set
- Standard and metric socket set
- Flat head screwdriver
- Painter’s Masking Tape



Included Hardware:

P/N	Description	Quantity
70185	7/16"-14 x 4-1/2" hex head bolt, grade 8	8
70056	7/16"-14 nylon-locking nut, grade 8	8
70057	7/16" washer	16
70060	1/4"-20 x 1" SS button head bolt	14
70009	1/4" ID washer	22
70010	1/4" star lock washer	6
70008	1/4"-20 nylon-locking nut	8
70029	3/8"-16 x 1-1/4" SS hex head bolt	2
70028	3/8" ID washer	2
70708	3/8" split lock washer	2
70246	Antiseize bolt lubricant packet, 2g	1

Additional Parts:

Description	Quantity	Picture
Trim assembly, driver (<i>pre-assembled</i>)	1	

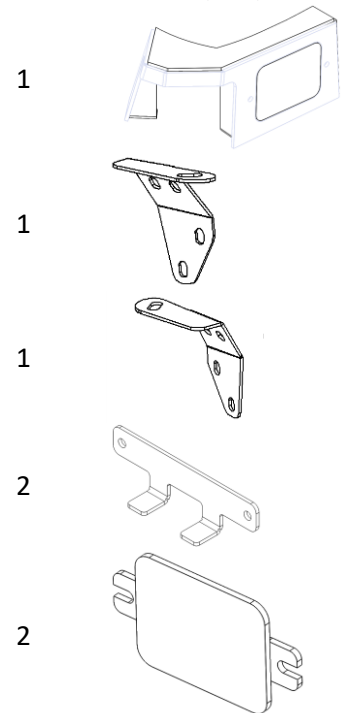
Trim assembly, passenger (*pre-assembled*)

Axle support bracket, driver

Axle support bracket, passenger

Blindspot assist sensor brackets (*pre-installed onto trim*)

Blindspot assist sensor windows (*pre-installed onto trim*)



Stock Bumper Removal:

1. Remove license plate.
2. Remove stock hitch by unbolting the eight (8) bolts underneath the vehicle. Disconnect any wiring connected onto the hitch before lowering (towing plug, parking sensor, etc...). Reference Figure 1.
CAUTION: Unbolting will allow the hitch to fall if not properly supported.



Figure 1: Four (4) of the Hitch Mounting Bolts

PRO TIP: The entire installation is much easier if you lower and remove the spare tire. Then replace once complete or install onto your new bumper.

3. Remove the seven (7) torx bolts holding on the plastic rear bumper as indicated in Figure 2:



Figure 2: Torx Bolts on the Rear Bumper

4. Remove the two (2) plastic rivets holding on the plastic rear bumper from underneath the vehicle, close to the spare tire carriage. Reference Figure 3 and 4.

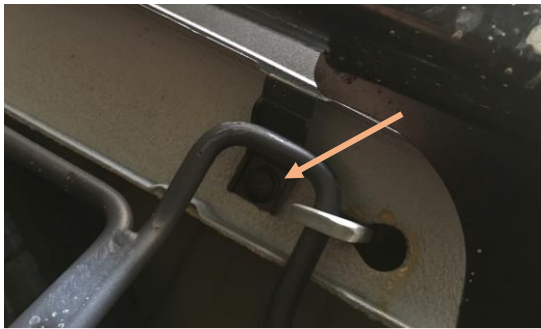


Figure 3: Plastic Rivets Underneath Bumper



Figure 4: Example of Plastic Rivet

- Remove the side panel plastic by gently pulling away on the plastic from the vehicle to expose additional bumper attachment points. Start from the rear wheel well working towards the back of the vehicle. Reference Figure 5.

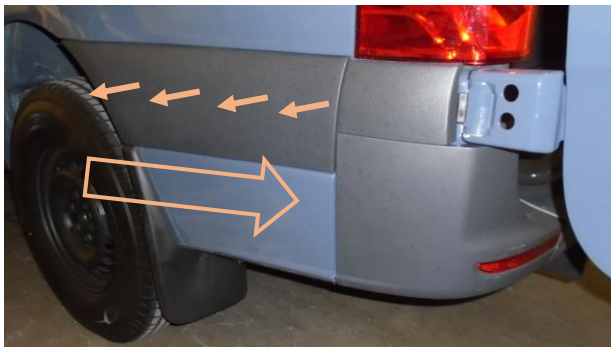


Figure 5: Side Panel Removal

- Remove the plastic rivets anchoring the plastic rear bumper assembly on both sides of the vehicle (see Figure 6).



Figure 6: Plastic Rivets Underneath the Side Panel

- Disconnect the tabs connecting the smaller plastic panel on top from the plastic rear bumper. Once disconnected, gently pull away from vehicle to remove. Retain small panel and repeat on opposite side. Reference Figures 7-8.



Figure 7: Removing Small Plastic Panel from Rear Bumper



Figure 8: Small Plastic Panel Removed

- Remove the plastic rear bumper from the rear of the vehicle, disconnecting any wiring that has not been done so already.
- Remove blind spot assist sensor from plastic rear bumper if applicable.
- Remove the air pressure relief inserts from each side of the vehicle by squeezing each side and pulling away from the vehicle. Reference Figure 9.



Figure 9: Air Pressure Relief Insert Removal

PRO TIP: Use painter's masking tape to protect bumper as swing arm from drill.



Figure 11: Drilling for Axle Support Bracket

Rear Bumper Installation:

11. Install the axle support brackets (see "Additional Parts") loosely onto the axle of the rear bumper using the 3/8" bolt, split washer, and flat washer. Reference Figure 10.



Figure 10: Pre-Mounting Axle Support Brackets

15. Insert and tighten all hardware on axle support bracket using provided 1/4" hardware. Use the access through the insert opening to tighten. Tighten 3/8" bolt on top of axle as well. Reference Figure 12.



Figure 12: Tightening Hardware Through Insert Opening

12. Install new rear bumper by lifting up to vehicle and inserting supplied 7/16" hardware through the hitch mounting locations on the vehicle. Do not yet tighten hardware.

PRO TIP: While lifting the bumper into place, shift the exhaust to allow the bumper to pass with ease.

13. Position rear bumper into desired position front-to-back. Tighten the 7/16" mounting hardware to fix hitch into position. Tighten all bolts to 63 ft-lbs of torque.
14. Position the axle support brackets up to the contours of the vehicle. Using the holes in bracket as a template, drill through outer surface of vehicle. Reference Figure 11.

16. Install the trim assemblies temporarily to verify clearances around axle system and fitment onto vehicle. Reference Figure 13.



Figure 13: Installation of the Trim Assembly

PRO TIP: Mounting from the vehicle to the hitch and from the hitch to the aluminum bumper are both adjustable. Loosen associated bolts, position, and re-tighten into desired location on vehicle.

17. Re-install air pressure relief insert into opening.
18. Install blind spot assist into trim assemblies (if applicable) by sandwiching the sensor between the sensor window and the sensor bracket as shown in Figure 14.



Figure 14: Blind Spot Sensor Installation

19. Tighten the trim assemblies onto the bumper from underneath the vehicle using provided ¼"-20 bolts, washer, and lock washer. Each trim assembly has three (3) mounting locations.
20. Re-install the plastic paneling in starting with the small upper panel. Repeat for both sides.
21. Re-install license plate onto new bumper
22. Install lights if applicable (license plate light and flush-mounted back up lights).
23. Install tire and box onto arms if applicable.
24. Rest tire onto tire supports when mounting onto tire swing arm as shown in Figure 15. Tire must be resting on supports.



Figure 15: Tire Resting Correctly on Swing Arm

25. Check mounting hardware after first 100 miles of driving and periodically after to verify hardware has not become loose from vibration.
26. Your new Aluminess bumper is now installed, enjoy!