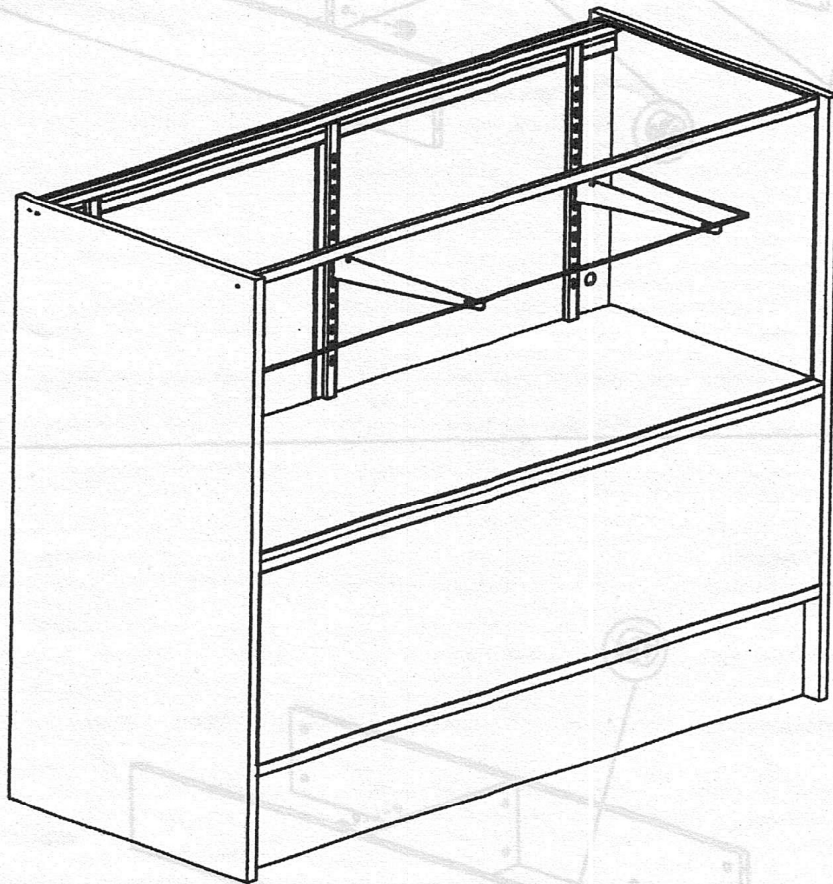
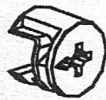


# ASSEMBLY INSTRUCTION

## HALF VISION WOOD SHOWCASE



x32



x32



x6



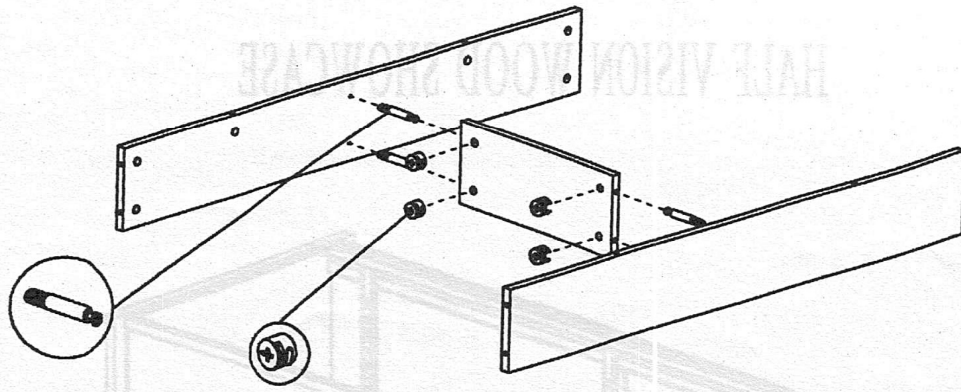
x3



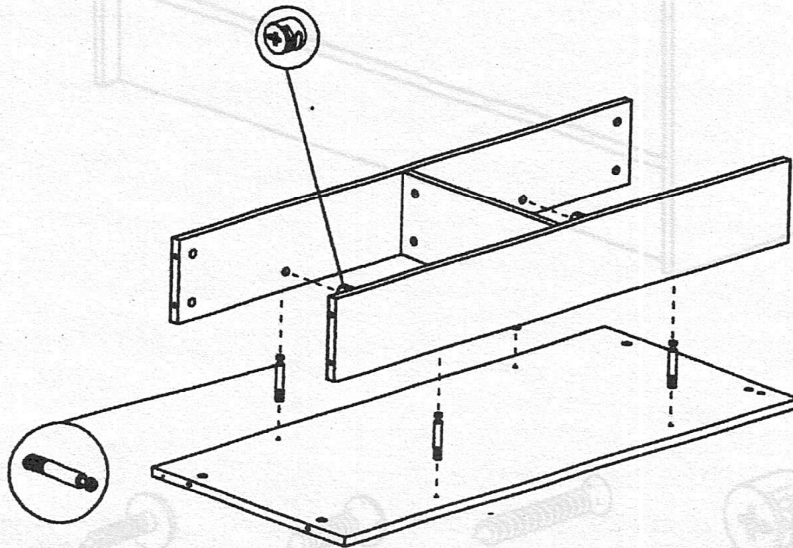
x3

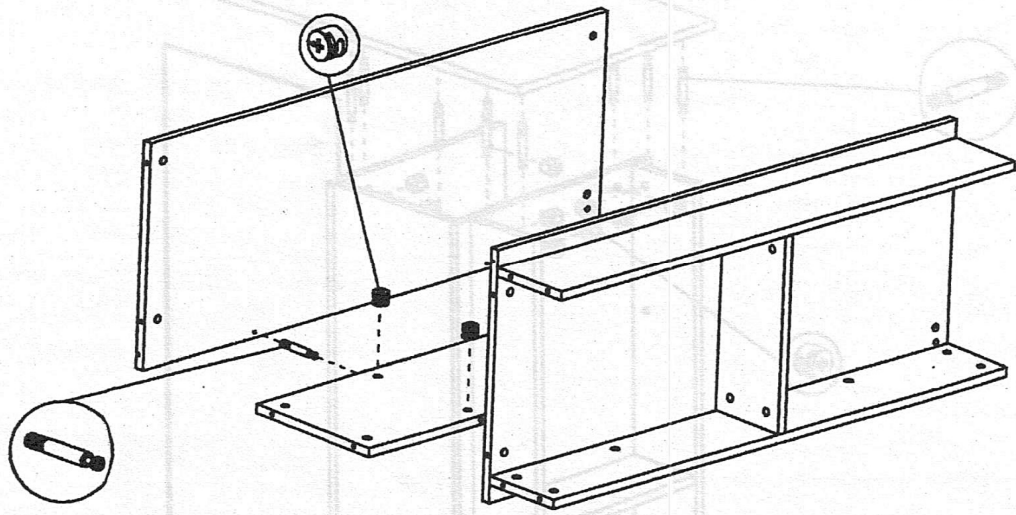


x2

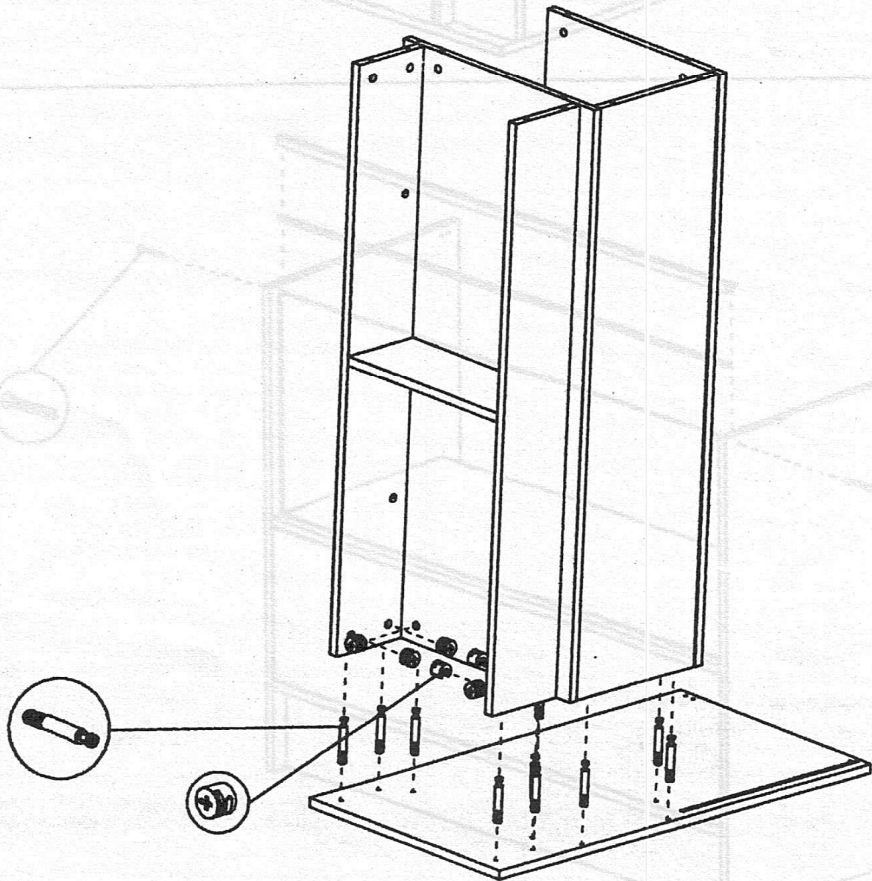


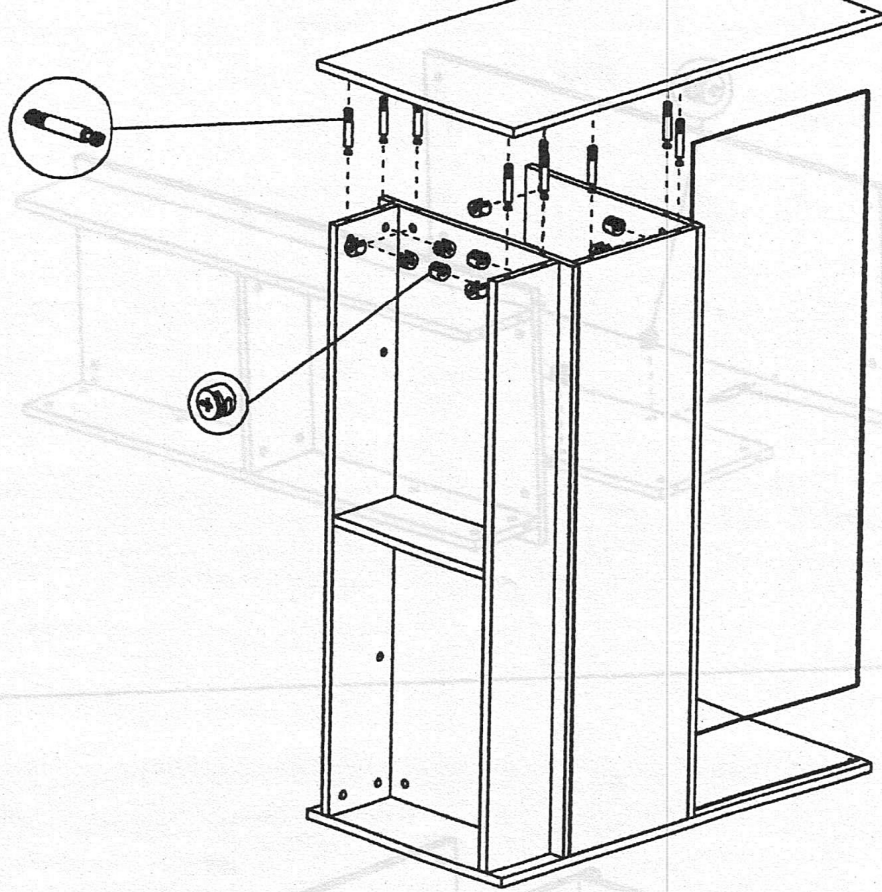
(2)



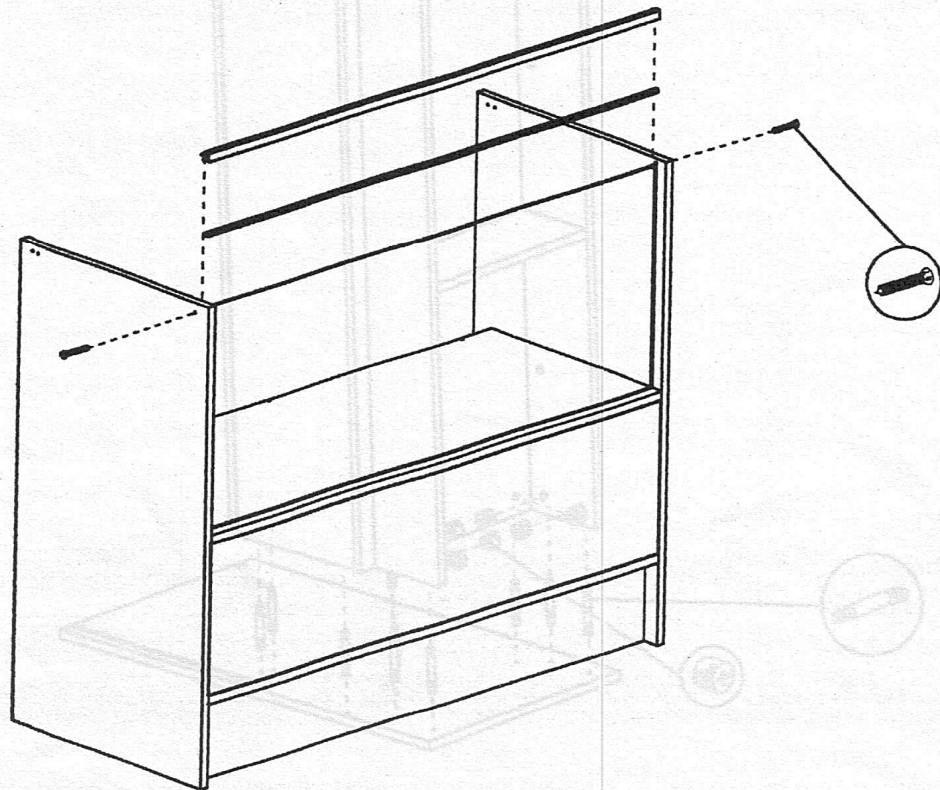


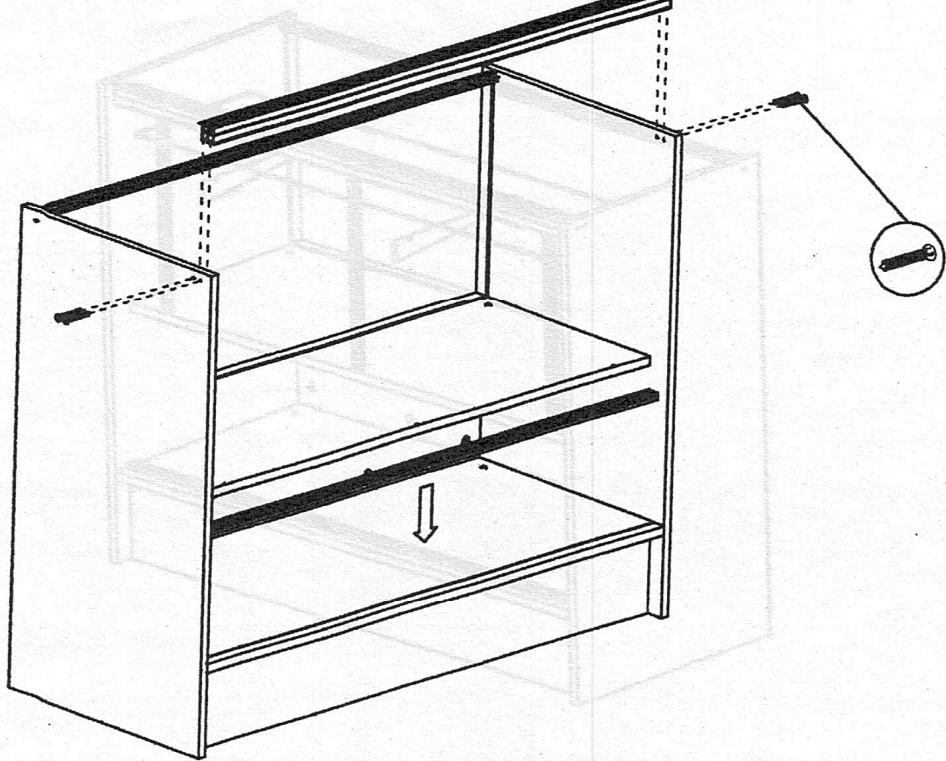
<4>



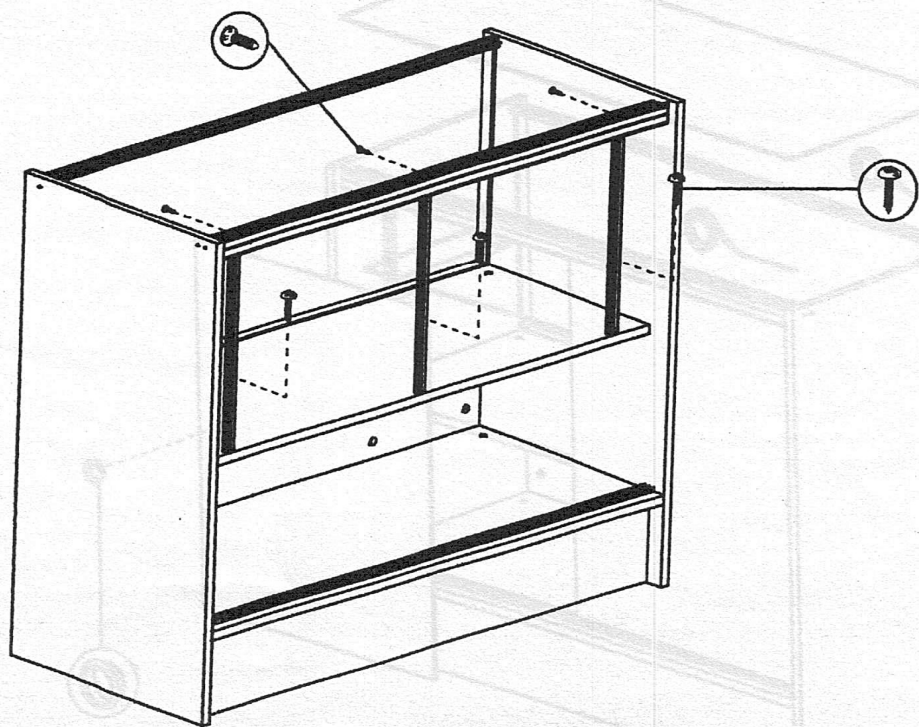


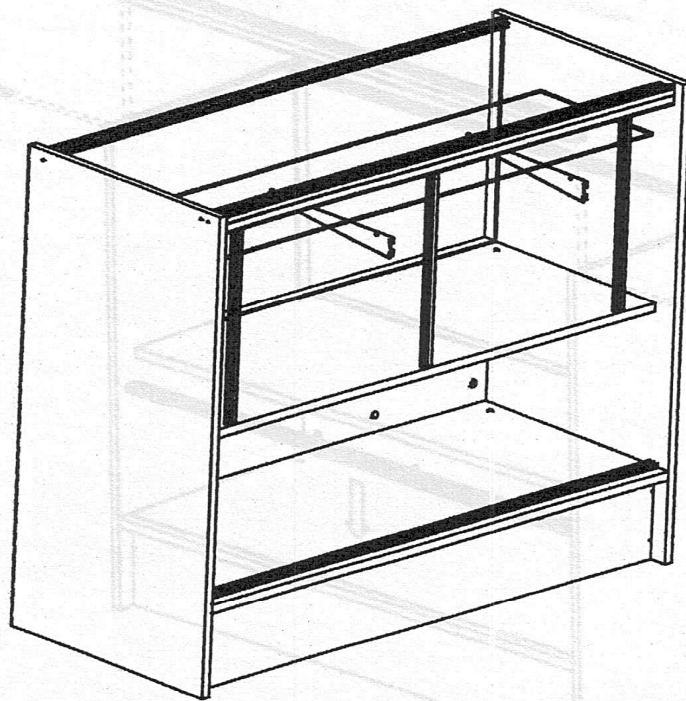
(6)





(8)





<10>

