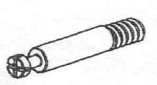
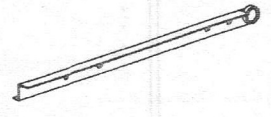
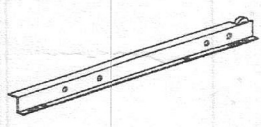
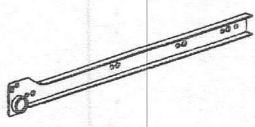
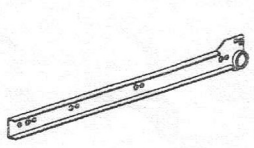
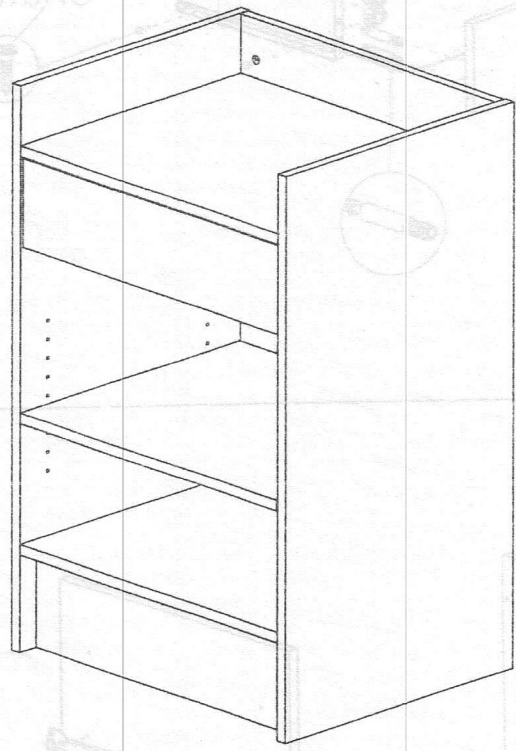


# ASSEMBLY INSTRUCTION

## CASH REGISTER STAND



x38



x38



x4

Big head

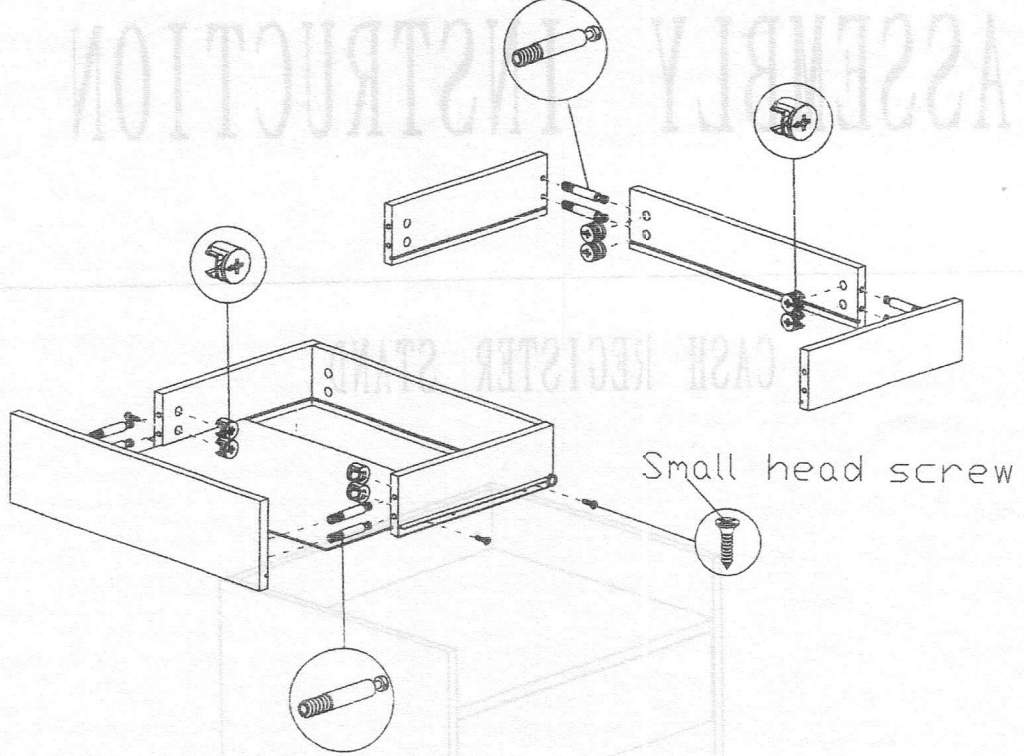


x6

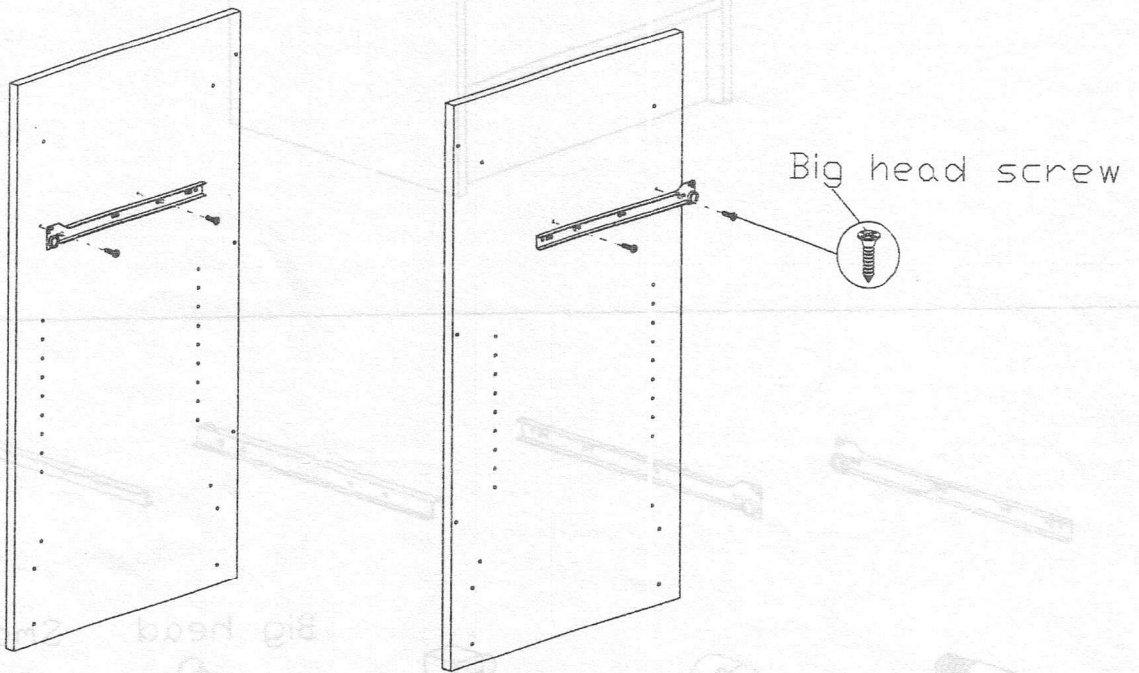
Small head

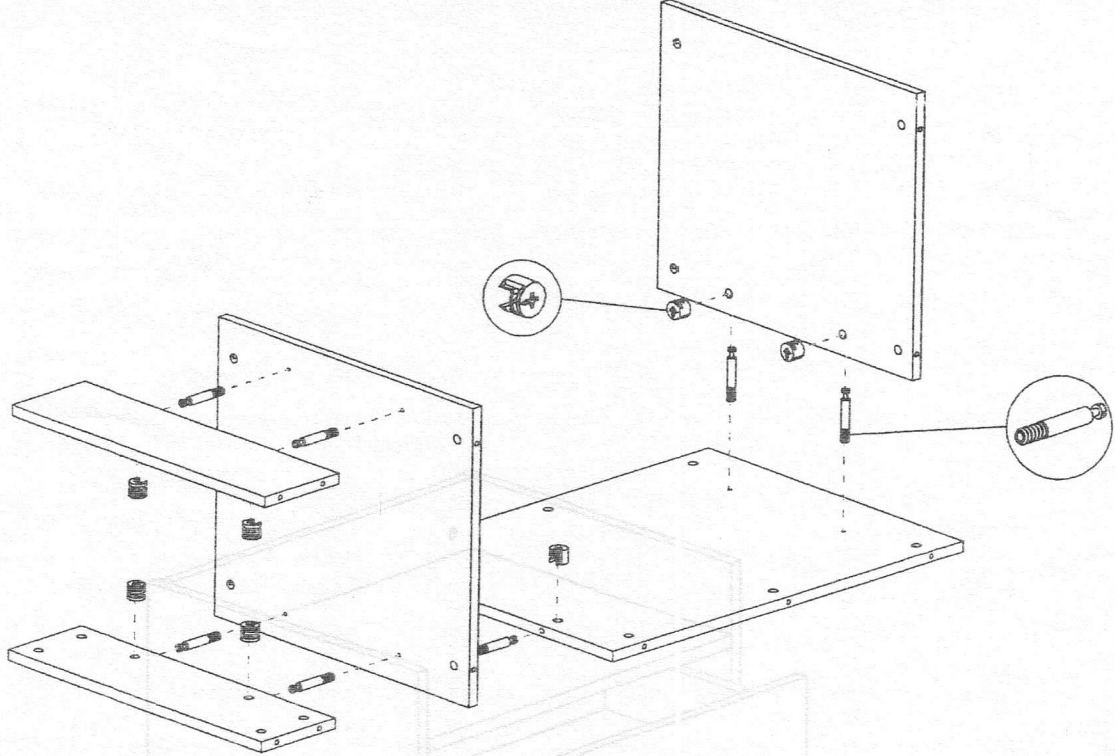


x6



(2)





(4)

