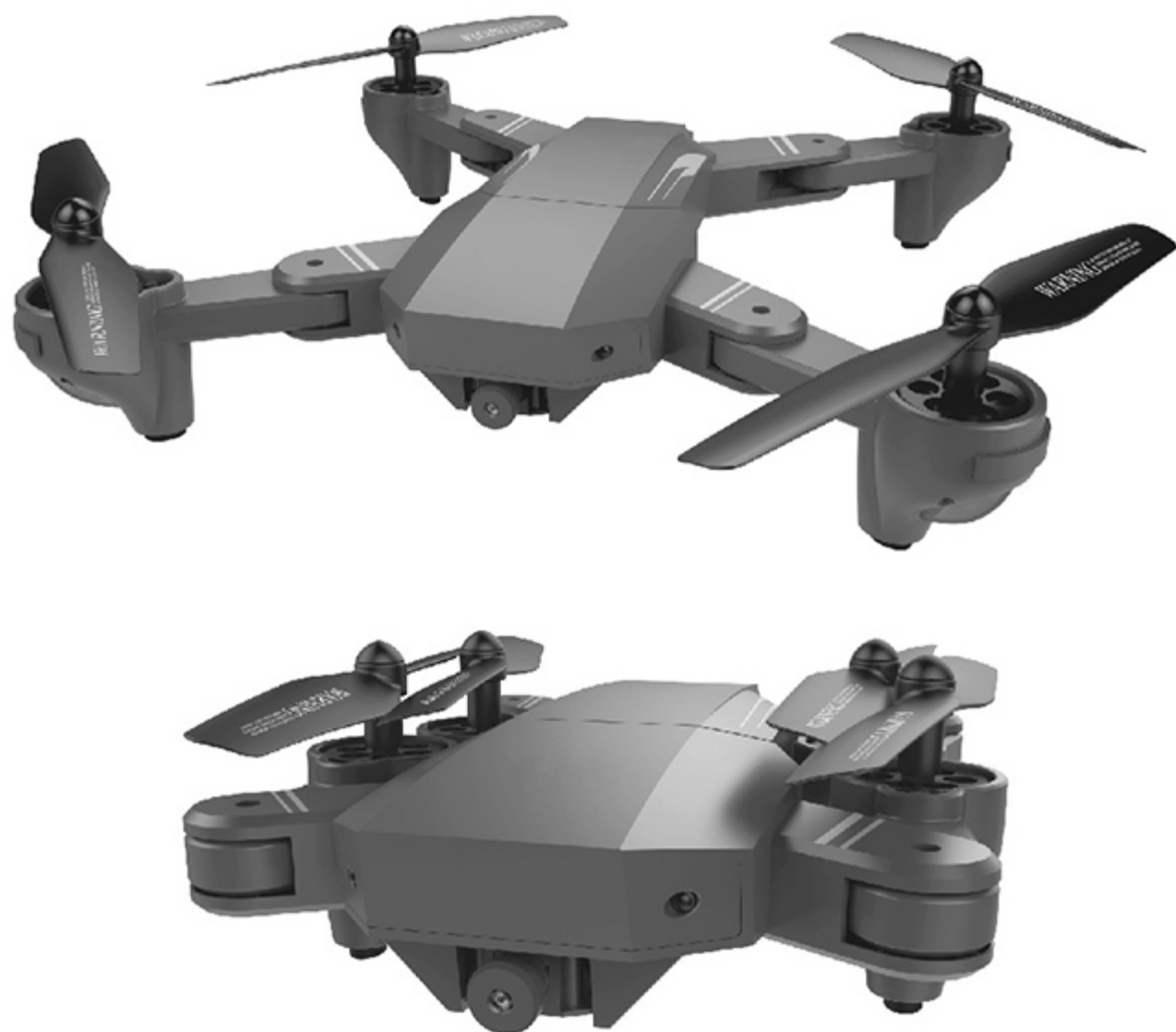


AGES: **14+**

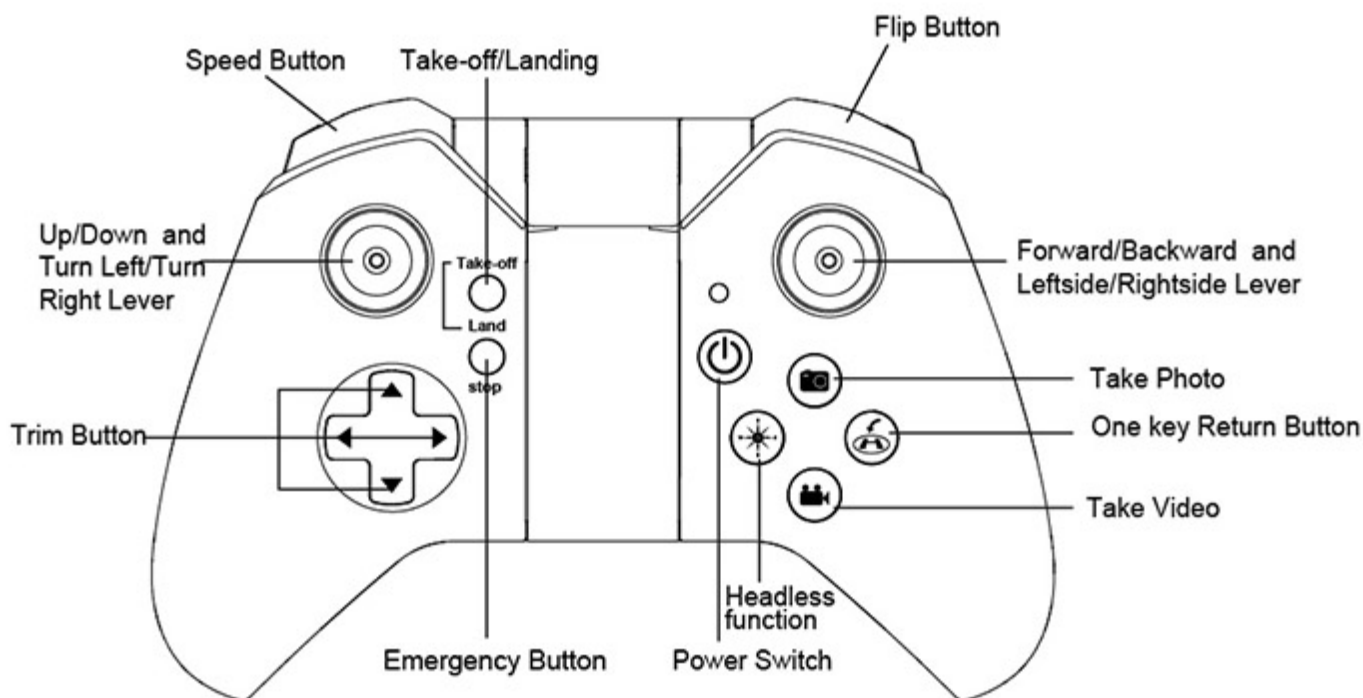
# USER MANUAL

HIGH PERFORMANCE 4-CHANNEL CAMERA QUADCOPTER



Read these instructions carefully before using the appliance and save them for future reference.

## 1.CONTROLLER COMPONENTS:



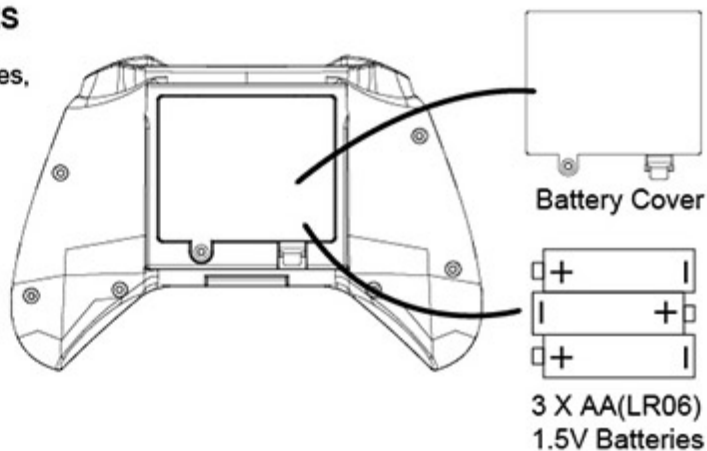
## 2.SETTING UP THE CONTROLLER / DRONE:

### INSTALLING THE CONTROLLER BATTERIES

1. Unscrew the battery cover, and insert 3 \*AA batteries, making sure you insert them following the correct polarity as shown.
2. Re-attach the battery cover

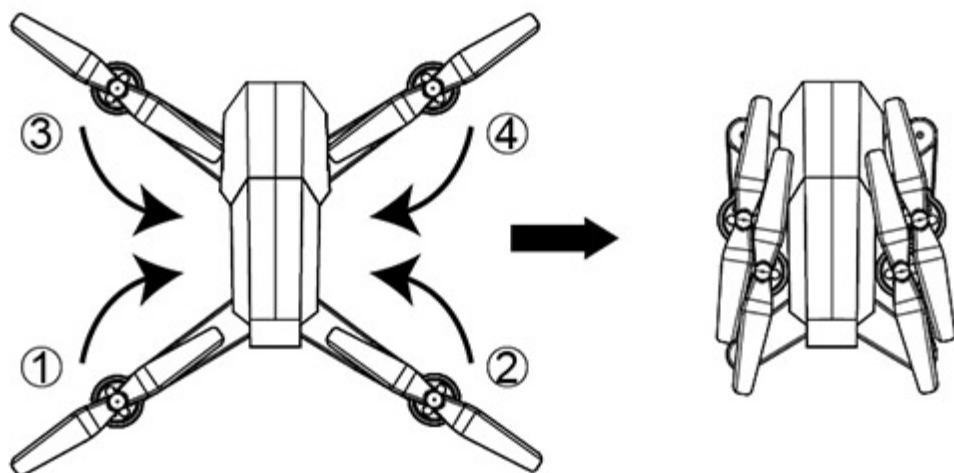
#### NOTICE:

1. Always have an adult to install the batteries
2. Always use Alkaline Batteries
3. Never mix old and new batteries



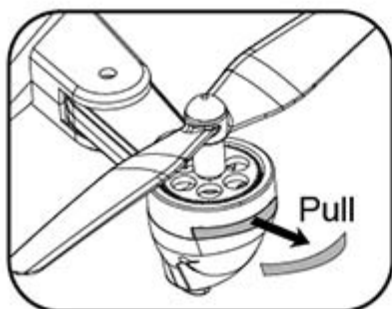
## 3.FOLDING THE ARMS :

FOLD THE ARMS AS THE ORDER OF NUMBER AS THE PICTURE SHOW

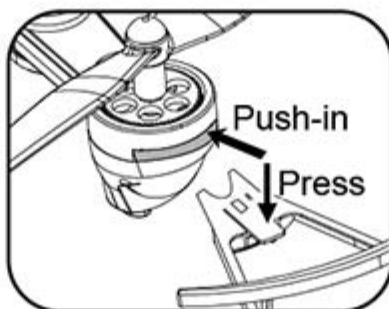


### 3.INSTALL THE PROTECTOR :

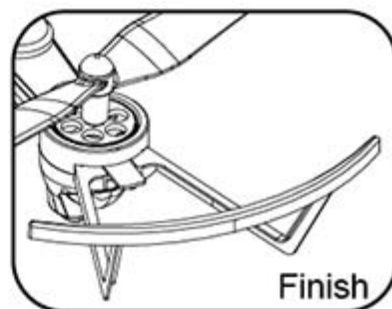
Pull the accessory as Pic1. and Press the locking plate on the protector, as the same time push-in the protector as Pic.2, the protector is installed finish.



Pic.1



Pic.2



Pic.3

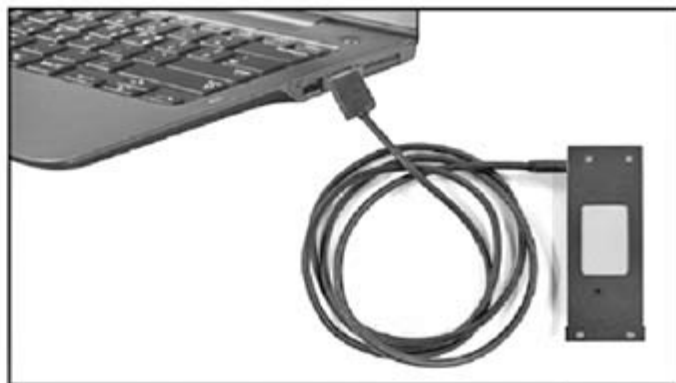
### 5.CHARGING YOUR DRONE BATTERY:

#### BATTERY WARNING:

Lithium Polymer batteries can expand, burst or catch fire if used incorrectly, causing both property damage and or personal injury. It is essential that you follow all the included instructions and safety warnings in full. The manufacturer, distributors and retailers will assume no liability for the failure to comply with these safety instructions and warnings.

#### INSTRUCTIONS WHEN CHARGING:

- 1) The battery must be removed from the product before charging.
- 2) If the battery has just been used, please let it cool down to room temperature before charging.
- 3) Charging must only be undertaken by an Adult, and only using the charger included with this product.
- 4) Always charge the battery on a non flammable heat resistant surface with non flammable surroundings.
- 5) Connect the battery to the USB charging cable
- 6) Connect the USB Charging cable to your USB Charging devices. The RED LED on the battery will light up while charging, and will Turn Off once the battery is fully charged. It takes around 90-120 minutes to fully charge the battery. Never continue to charge the battery after the RED LED have Turned Off.



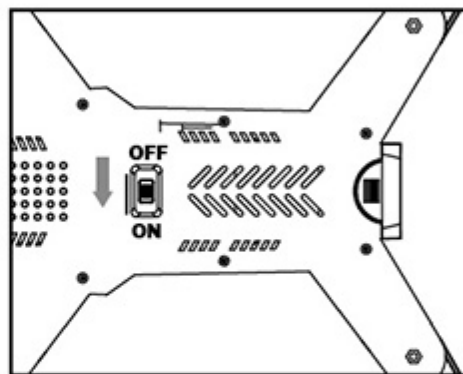
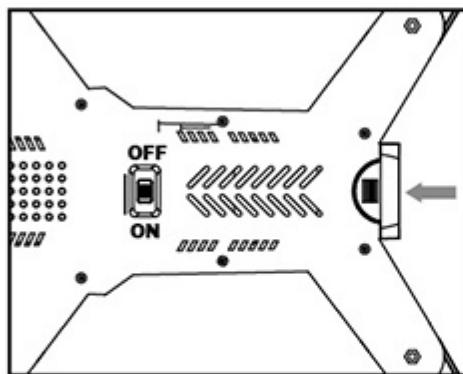
- 7) Lithium Polymer batteries do not last forever. If your battery becomes damaged in a crash or no longer charges properly, immediately replace it with a new battery. To prolong the life of your battery, it is always best to retain a bit of charge in your battery prior to charging it.

Remark: Only USB charging cable that inside packaging can be used for charging.

### 6.SAFE FLIGHT ENVIRONMENT:

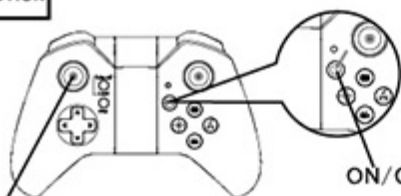
1. Make sure the surrounding area is free of all people, pets or other obstacles before you start to fly.
2. The Drone is designed for Outside flying, or Indoors if you have enough space.  
Do not use in strong wind.
3. Leave 1.5 meters between you and the Drone at all times.

## 7.SETTING UP THE SIGNAL CONNECTION:



### Step 1

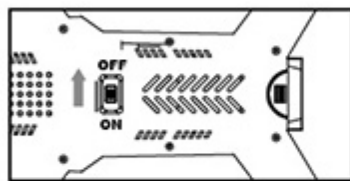
Inset the battery to the battery housing. (see frist picture). Turn on the power switch of the Drone - the LED's on the Drone will start to flash. Place the Drone down on a flat surface, making sure the drone is facing away from you.



The throttle stick to lowest point

### Step 2

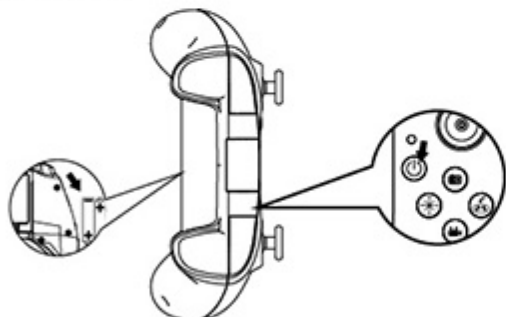
Press down the controller Power Switch to turn on the power, The controller will make two short BEEP sound and the red LED will flash. To pair the signals of the Vision Drone and the Controller, you must RAISE the UP/DOWN Lever on the controller all the way to the TOP, It will make one short BEEP sound. And then LOWER it all the way to the BOTTOM, It will make one long BEEP sound. The next time you RAISE the UP/DOWN Lever the Drone will lift into the air.



### Step 3

Always Trun off the Power Switch of the Drone after flight.

power switch



### Step 4

Always turn the controller off after flight, and remove all batteries if leaving un-used for a long period of time.

## 8. AUTO-HOVER:

**Tip:** Below operation only available for altitude hold version.

### START YOUR FIRST FLIGHT:

Push both controll levers to the positions shown in the picture, and hold them for a few seconds. The lights on the drone will start to flash. The motor start working.

### AUTO-HOVER:

Press the " take-off /Land " button (1) once, the drone automatically goes up to air and stays at a height of around 1.5 meters. After that push the left stick to keep the drone at any height you wants.

Press the " take-off /Land " button again, the drone will slowly goes down to the floor and finally the motors stop spinning.

### Emergency Button:

In case the drone is to crash against the wall or hit the tree, you can Press the " Stop " button (2) , at the same time, the motors will stop spinning at once and the drone falls to the floor immediately.

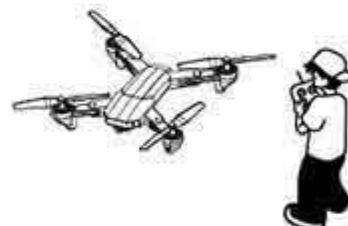
Make sure there is no people below the drone.



## 9. FLIGHT CONTROL:

**PLEASE USE THE CONTROLLER TO PRACTICE SIMULATED FLIGHTS BEFORE YOU ACTUALLY TAKE THE Drone IN THE AIR FOR THE FIRST TIME**

Place the Drone on a flat surface, making sure the Yellow LED Lights is facing away from you.

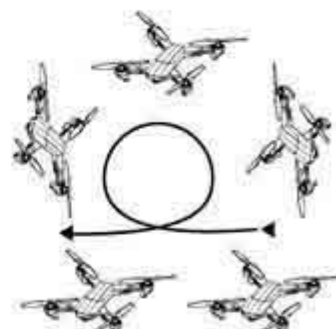


<p>Ascending Descending</p>	<p>When you push Up on the Up/Down Lever the Drone will start to go Up (please do this slowly at first till you learn the sensitivity). When you push Down on the Up/Down Lever the Drone will start to go Down.</p>	<p>Turn right Turn left</p> <p>When you push Left on the Turn Left/Turn Right Lever the Drone will start to spin Left. When you push Right on the Turn Left/Turn Right Lever the Drone will start to spin Right.</p>
<p>Forward Backward</p>	<p>When you push Forward on the Forward/Backward Lever the Drone will start to fly Forward (please do this slowly at first till you learn the sensitivity). When you push Backwards on the Forward/Backward Lever the Drone will start to fly Backwards.</p>	<p>Left sideward fly Right sideward fly</p> <p>When you push Left on the Bank Left/Bank Right Lever the Drone will start to Bank Left (please do this slowly at first till you learn the sensitivity). When you push Right on the Bank Left/Bank Right Lever the Drone will start to Bank Right.</p>

**TIP:** It is much easier when you start to learn to fly the Drone, to ignore Turn Right / Turn Left. By using Up/Down, Forward/Backward, Bank Left/Bank Right, the Drone will still be able to fly anywhere.

## 10. HOW TO DO A 360 FLIP:

1. Make sure the Drone is flying at least 3 meters above the floor, or 3 meters bellow a ceiling.
2. Press the Flip button on the controller, The controller will make a "Beep" sound, then flick the right hand lever in any direction, and the Drone will flip in that direction.
3. You may need to push Up on the Up/Down Lever after the flip, if your battery is low on power in order to keep the Drone high in the air after the Flip.

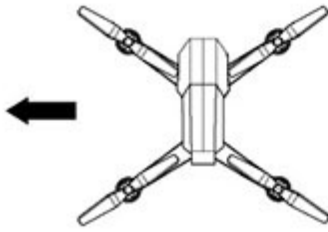

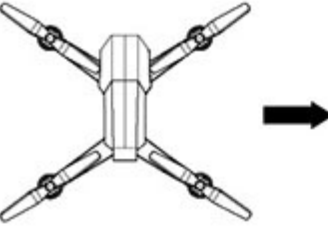

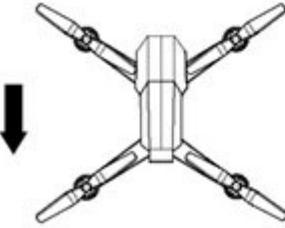

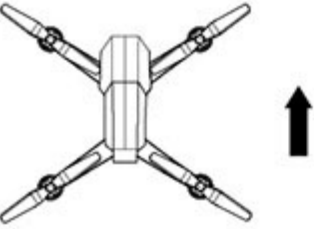
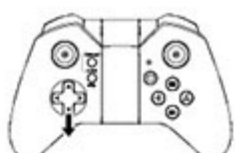


## 11. FEATURES:

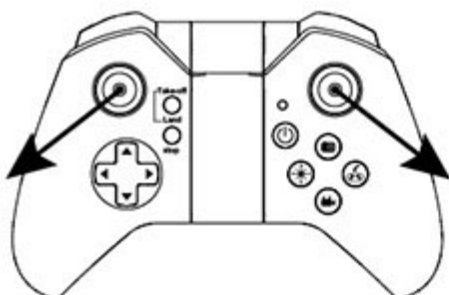
**SPEED CONTROL:** When you first turn on your Drone, it is set to 25% speed, you will hear ONE beep. When you press the SPEED BUTTON, you will hear TWO beeps and the speed will be increased to 50%. Pressing the SPEED BUTTON again you will hear THREE beeps and the speed will increase to 100%. Pressing again will bring you back to 25% speed and you will hear ONE beep. Always learn to fly at 25% speed, and then you can increase it as you get better at flying.

## 12.FLIGHT ADJUSTMENT SECTION:

When you lift your Drone into the air, and don't use any of the other direction levers, your Drone should simply hover in one spot without moving in any other direction. If however it doesn't, you can follow the bellow instructions to TRIM your Drone back to a perfect hover. TRIMMING is always needed before your first flight.

	<p>If your Drone banks to the Left, keep pressing the Bank Left/Bank Right Trim Button to the Right till the Drone stops banking.</p>	
	<p>If your Drone banks to the Right, keep pressing the Bank Left/Bank Right Trim Button to the Left till the Drone stops banking.</p>	
	<p>If your Drone flies Backwards, keep pressing the Forward/Backwards Trim Button Up till the Drone stops flying Backwards.</p>	
	<p>If your Drone flies Forwards, keep pressing the Forward/Backwards Trim Button Down till the Drone stops flying Forwards.</p>	

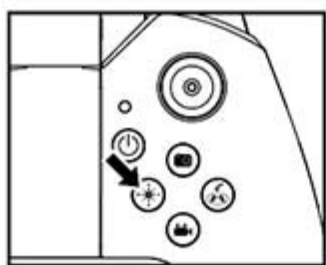
## 13.AUTO TRIM FUNCTION:



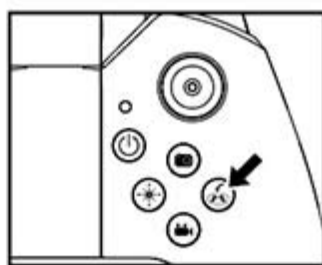
Push both controll levers to the positions shown in the picture, and hold them for a few seconds. The lights on the drone will start to flash. Now the quadcopter is recovered to its original factory setting and ready to fly again.



## 14. HEADLESS AND ONE KEY RETURN FUNCTION:



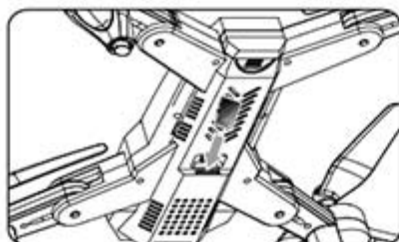
**1. Headless function:**  
Press the Trim Slider button left, you will get into compass mode flying. To quit from compass mode by Press the same slider button.



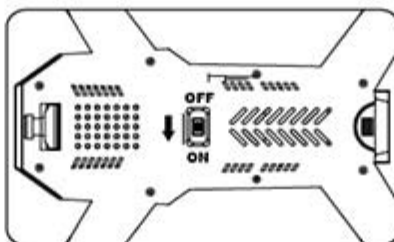
**2. One key return function:**  
Press the Trim Slider button Right, you will get into one key return mode. To quit the mode by Press the same slider button.

## 15. EXTRA INSTRUCTION MANUAL FOR CAMERA DRONE FUNCTION:

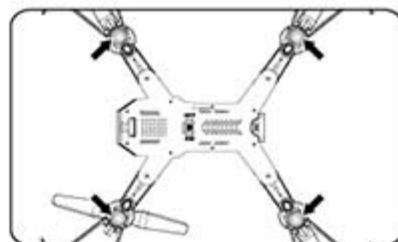
### USING THE CAMERA



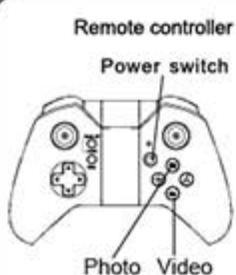
**Step 1:** Insert the memory card into the camera. You must make sure you insert the memory card the correct way up (see picture). If you insert the memory card up side down it will get stuck and your camera will not work.



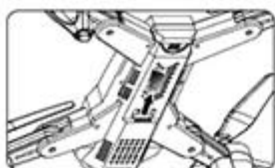
**Step 2:** Turn on the the Power Switch of the Drone as you would for any normal flight.



**Step 3:** The four light will show on the camera whenever the drone is in use. The Two tail light will flash once when you take a photo, and it will Keep flash when taking a video.



Follow all the instructions as supplied with your Drone for setting up the signal connection between your Remote Control and the Drone, and then fly it into the air. The Photo and Video Button can be found next to the Power switch. Press the Photo button once, your camera will take a still photo whilst flying (The RED LED on the Drone will flash once). Press the Video button once to start filming a video, and then press it again when you have finished filming the video (The RED LEDs on the Drone will Keep flash when you start filming a video, and once finishing filming the Video, the RED LEDs on the drone will remain on).



**Attention:** When filming a video, always make sure to press the video button the second time to finish the video BEFORE you land and disconnect the Drone battery, as otherwise your video will not save.

Turn the On/Off switch on the Drone to Off, and remove the Memory Card from the camera. Insert the Memory Card into the included USB Card Reader (making sure you insert it the correct way round - see picture), and attach the USB Card Reader to your computer. You will now be able to open the Photo/Video files saved on the memory card on your computer in exactly the same way you open other pictures and videos saved on memory cards or sticks. The AVI format of the video will need a media player which supports AVI format.



## 16. EXTRA INSTRUCTION MANUAL FOR WIFI CAMERA DRONE FUNCTION:

### 1. SOFTWARE DOWNLOAD AND INSTALLATION



Google play



IOS



360

### 2. USING INSTRUCTION

- 1). Connect the model to the power, the indicator on camera light up .
- 2). Enter the "setting" menu of your mobile device and turn on WIFI.
- 3). Find a network WIFI called "WI-FI UFO" & "WI-FI 720P" , click connection until "connected".
- 4). Open the "WI-FI UFO" & "WI-FI 720P" software, click the "play" icon into the control interface. And you will see the real time video.



XSW UFO



## 17. REPLACING BLADES AND FIXING ISSUES:

1. **BLADE REPLACEMENT:** Your Drone blades are very strong, but sometimes they can get damaged with a bad crash. You have spare blades in the box, and to replace them it is as easy as just placing a new one back on over the motor bar. You must always replace an A Blade with an A Blade, and a B Blade with a B Blade.
2. **Drone NOT LIFTING OR NOT FLYING IN YOUR CHOSEN DIRECTION:**
  - 1) The most common reason for a Drone not lifting or flying in your chosen direction properly is that you have hair and debris wrapped around one or more of the blades. This is simple to remove, just take off the blade. Remove the debris, and place the blade back on.
  - 2) The batteries in either the Drone or Controller may need charging (or replacing if it's the batteries in the controller).
  - 3) You may have knocked your Trim Button settings out of sync. Follow the instructions earlier in this booklet to reset them back to the factory settings, and then re-trim as desired.

## 18. WARNINGS:

- . The Drone is designed for 14+
- . Adult supervision is always advisable with any form of flying toy
- . Always ensure your flight area is free of all obstacles before taking off, and ensure the Drone is always flown in excess of 1.5 meters from yourself and others
- . Remove all batteries from the Drone and Controller when not in use
- . Never overcharge
- . Never leave to charge unattended
- . Never touch the Drones motors during or after flying as they can get hot
- . Never touch the blades when they are in motion
- . If the Drone becomes damaged, stop using it immediately
- . Do not dispose of any parts of the Drone or Controller in the normal rubbish; all parts should be taken to your local recycling centre
- . The battery in the Drone should never be exposed to any form of high temperature or disposed of in a fire