



iMovR

ZipLift+ ZipLift+ HD

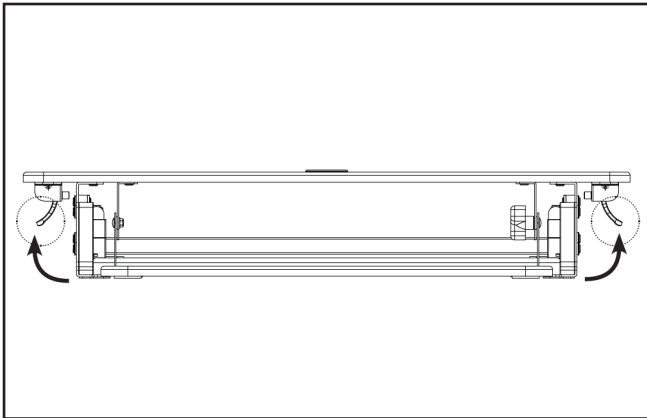
USER INSTRUCTIONS

HEIGHT ADJUSTMENT

STEP 1

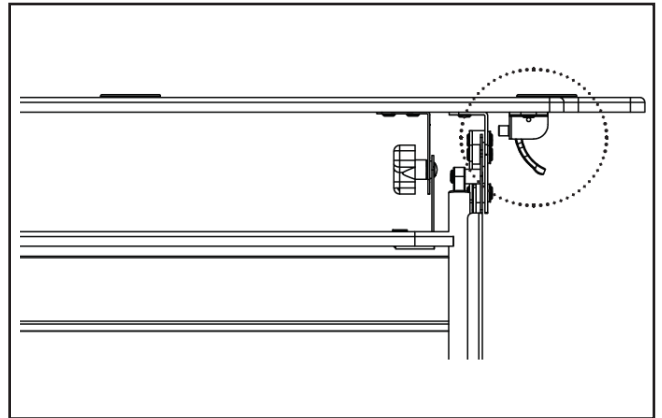
ZIPLIFT+ 35"

Press and hold the levers.



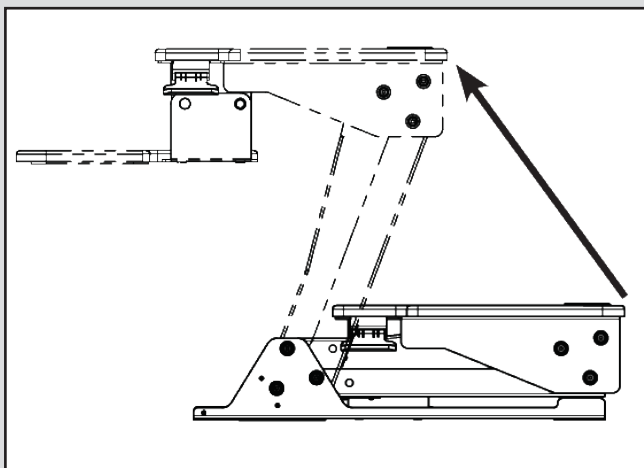
ZIPLIFT+ 42" HD

Press and hold lever on right side.

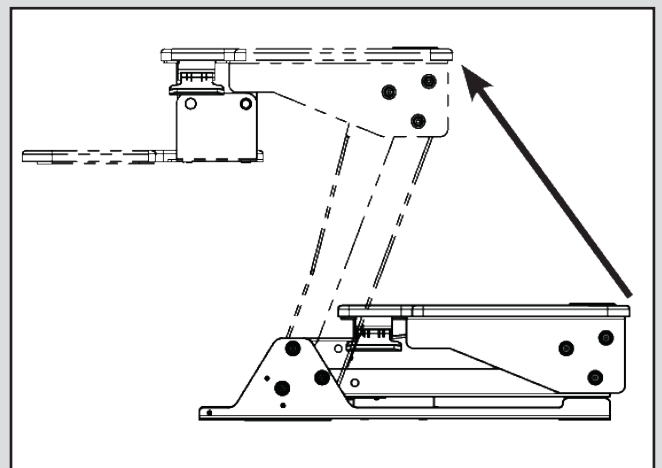


STEP 2

With two hands, lift up and out.*



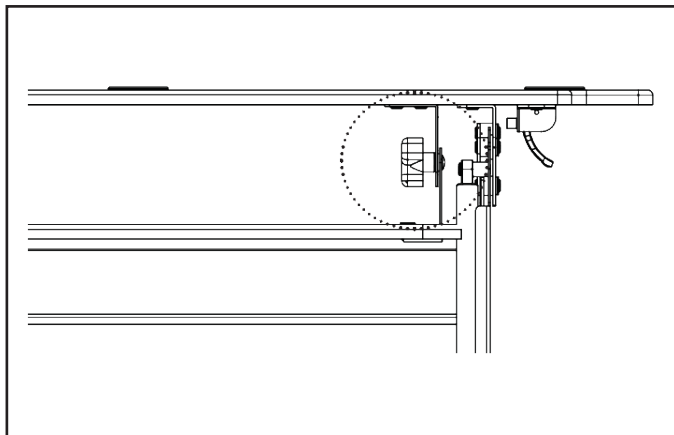
With two hands, lift up and out.*



KEYBOARD TRAY ADJUSTMENT

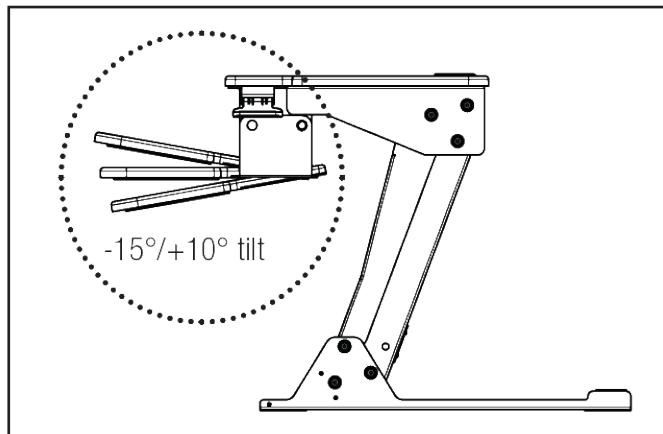
STEP 1

Twist to loosen knob.



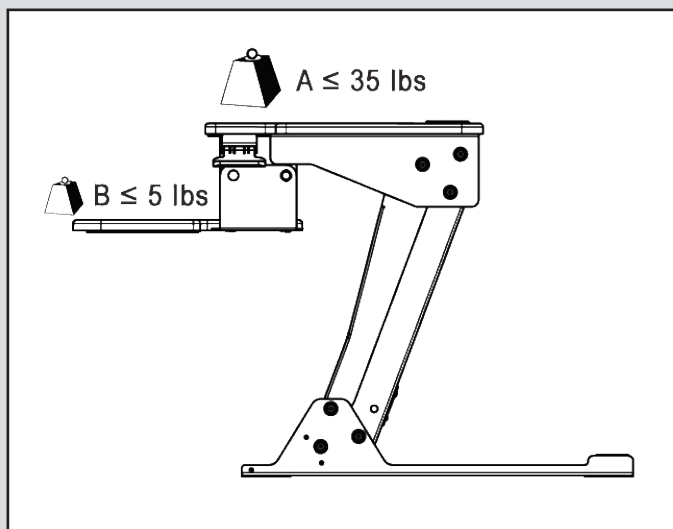
STEP 2

Lift tray to desired angle and tighten knob.



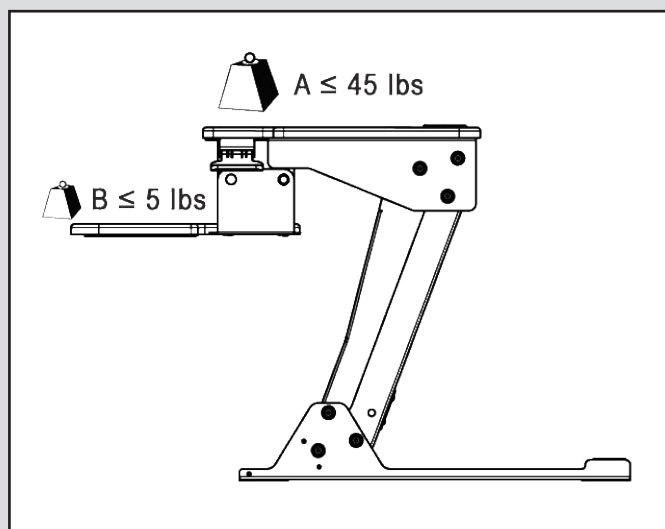
WEIGHT CAPACITY

ZIPLIFT+ 35"



A. The ZipLift+ 35" holds up to 35 lbs. total.
B. The keyboard tray itself holds up to 5 lbs.

ZIPLIFT+ 42" HD



A. The ZipLift+ HD 42" holds up to 45 lbs. total.
B. The keyboard tray itself holds up to 5 lbs.

*Some heavier monitor setups may require more effort to lift. Lighter setups (such as laptop only) may require more effort to lower. When lowering the ZipLift, be sure to press both down and forward.



Visit iMovR.com for
the widest selection of
office fitness products!