



iMovR

Synapse™

Adjustable-Height Table

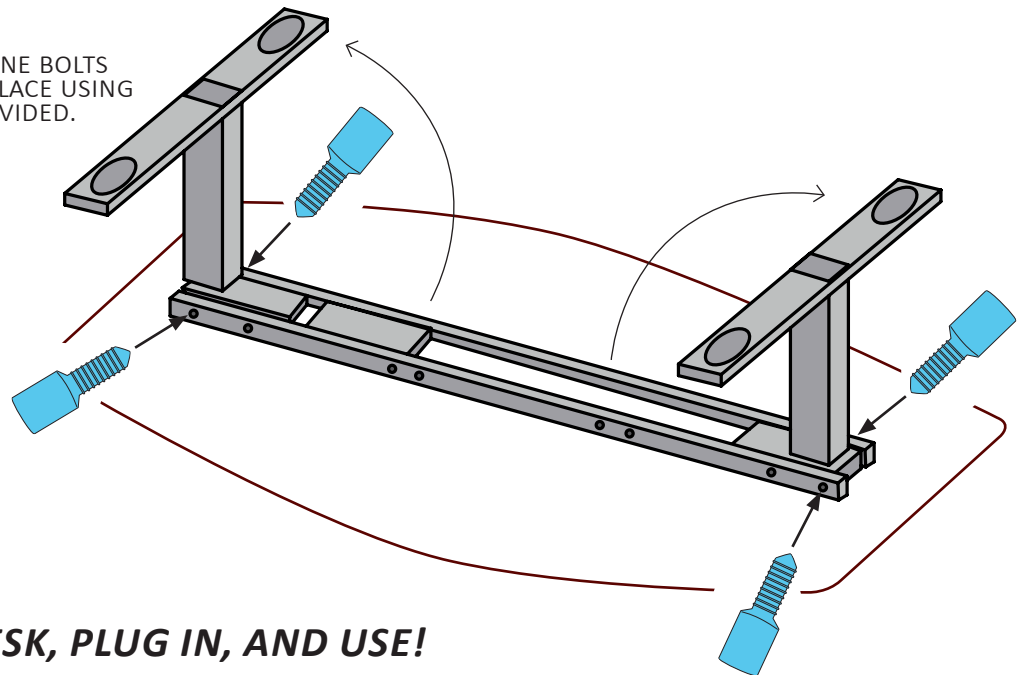
1 CAREFULLY REMOVE FROM SHIPPING PALLET

WHILE MOVING DESK FROM SHIPPING PALLET, MAKE SURE ASSEMBLY AREA IS CLEAR OF DEBRIS THAT MAY DAMAGE THE TABLE TOP. TO MOVE THE TABLETOP, LIFT COMPLETELY OFF THE GROUND. DO NOT SLIDE IT ACROSS ANY SURFACE.



2 FLIP UP LEGS AND SECURE IN PLACE

LOCATE THE FOUR MACHINE BOLTS PROVIDED AND SCREW IN PLACE USING THE #5 ALLEN KEY PROVIDED.



3 TURN OVER DESK, PLUG IN, AND USE!

USE THE HAND CONTROLLER TO ADJUST THE DESK HEIGHT. NOTE: SOMETIMES AFTER PROLONGED PERIODS OF BEING DISCONNECTED FROM POWER, OR BEFORE INITIAL USE, THE CONTROLLER MUST BE RESET BY HOLDING DOWN BOTH BUTTONS UNTIL THE DESK LOWERS TO ITS LOWEST HEIGHT POSITION AND BEEPS ONCE.

