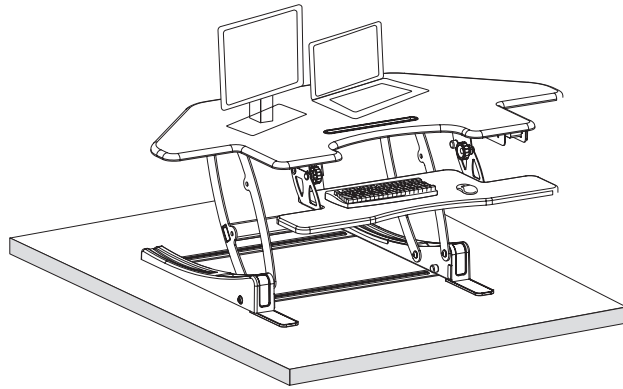




43.3" x 22" Sit-Stand Desktop Workstation

Instruction Manual



SKU: DESK-V000VCE



Scan the QR code with your mobile device or follow the link for helpful videos and specifications related to this product.

<https://vivo-us.com/products/desk-v000vce>



help@vivo-us.com



www.vivo-us.com



1-800-371-5654

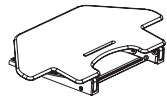
WARNING!

If you do not understand these directions, or if you have any doubts about the safety of the installation, please call a qualified technician. Check carefully to make sure there are no missing or defective parts. Improper installation may cause damage or serious injury. Do not use this product for any purpose that is not explicitly specified in this manual and do not exceed weight capacity. We cannot be liable for damage or injury caused by improper mounting, incorrect assembly, or inappropriate use.

WARNING: CHOKING HAZARD

SMALL PARTS - NOT FOR CHILDREN UNDER 3 YEARS. ADULT SUPERVISION IS REQUIRED.

PACKAGE CONTENTS



A (x1)
Adjustable
Desktop



B (x2)
Extended
Feet



C (x10)
M5x10



D (x6)
M5x12



E (x1)
Cable Clip



F (x2)
Cable Tie



G (x1)
Keyboard
Tray



H (x2)
Keyboard
Bracket



I (x1)
Power Cord

TOOLS NEEDED



Phillips
Screwdriver

**WARNING
PINCH POINT**

DO NOT place hands on or near support bars. Moving parts can crush and cut. Pinch points are created during lifting and lowering the worksurface. Failure to follow these instructions may result in serious personal injury.



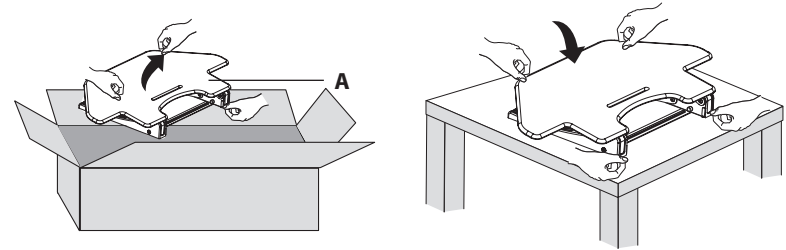
DO NOT EXCEED WEIGHT CAPACITY.
Failure to do so may result in serious injury.



ASSEMBLY STEPS

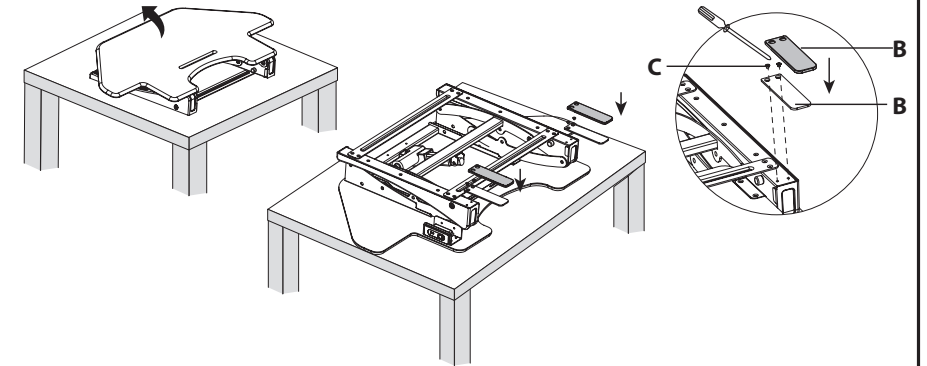
STEP 1

Carefully remove desktop (A) from packaging and set on table.



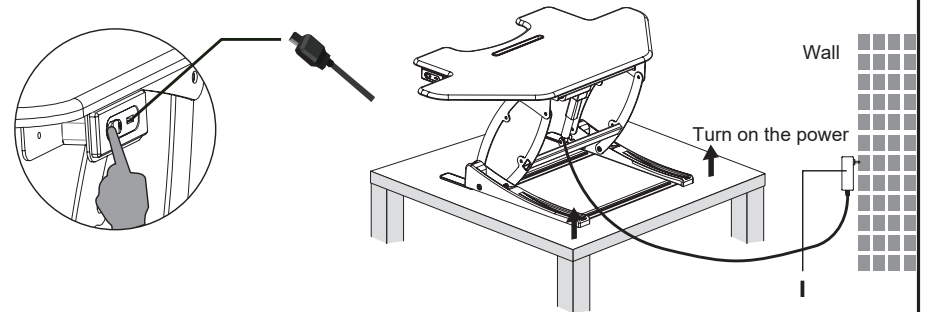
STEP 2

Flip the desktop (A) over and attach extended feet (B) to the frame using M5x10 screws (C) with a Phillips screwdriver.



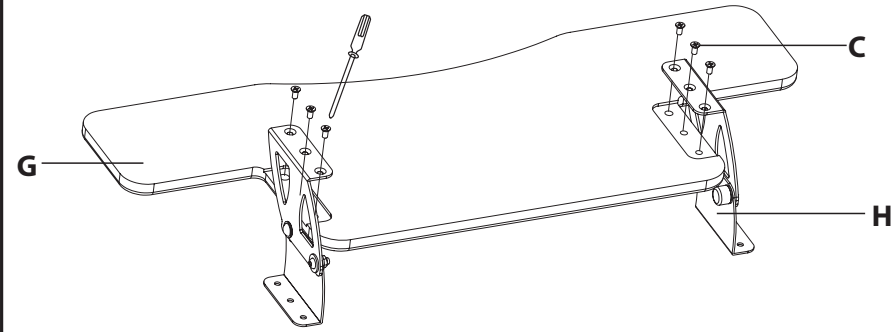
STEP 3

Install power cord (I). Plug the cord into the wall and press the switch on the right side to raise the desktop.



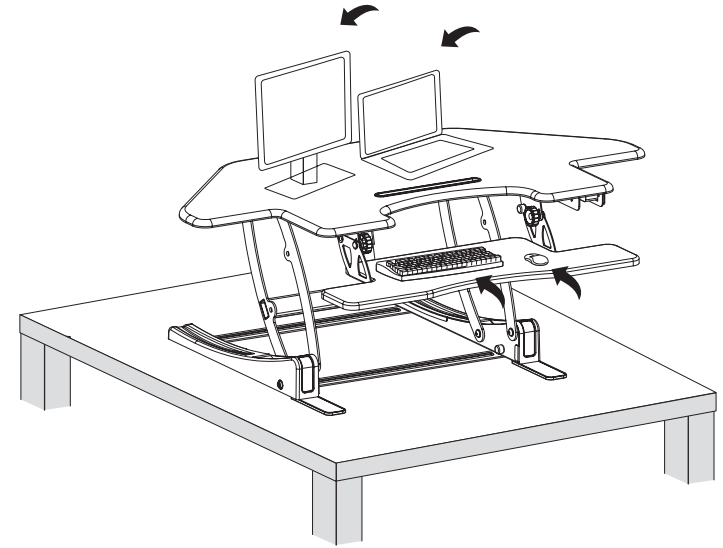
STEP 4

Mount the keyboard brackets (**H**) to the keyboard tray (**G**) using M5x10 screws (**C**) with a Phillips screwdriver.



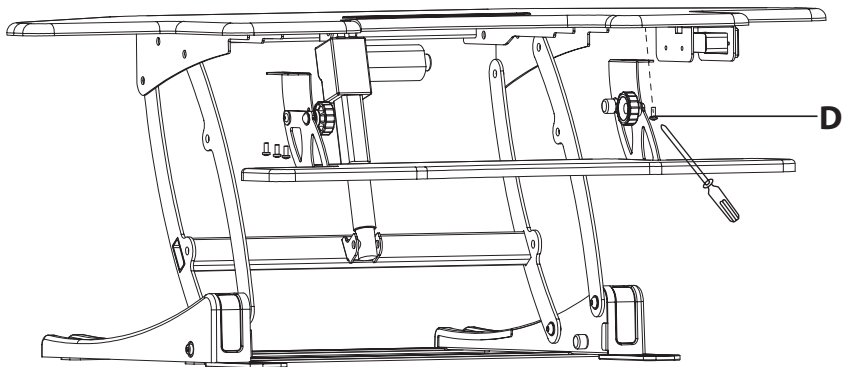
STEP 6

Place monitor, laptop, and other items on desktop.



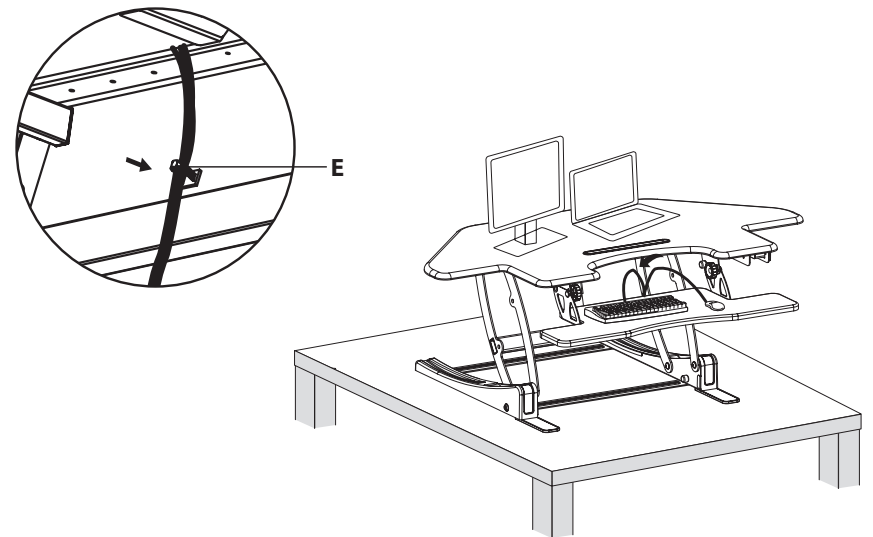
STEP 5

Mount assembled keyboard tray to desk using M5x12 screws (**D**) with a Phillips screwdriver.



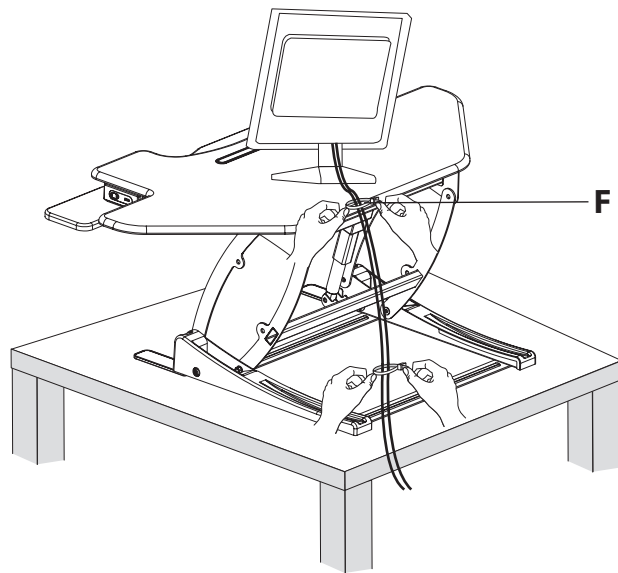
STEP 7

Attach cable clip (**E**) where desired to underside of desk.



STEP 8

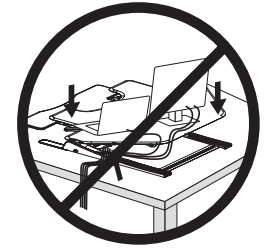
Manage cables using the cable ties



CAUTION!



Keep monitor and laptop base fully on the desktop.



Follow the cable routing instructions to avoid the potential to pinch cables.



Leave enough slack in cable to allow for full range of vertical motion (15" / 38 cm).



Raise desktop slowly to keep items stable.

Failure to follow these instructions may result in property damage and/or personal injury.



Love your new VIVO setup and want to share?

Tag us in your photo! **@vivo_us**

Last Updated: 1/9/2019



If any parts are received damaged or defective, please contact us. We are happy to replace parts to ensure you have a fully functioning product.



help@vivo-us.com



www.vivo-us.com



1-800-371-5654

For more VIVO products, check out our website at:
www.vivo-us.com.