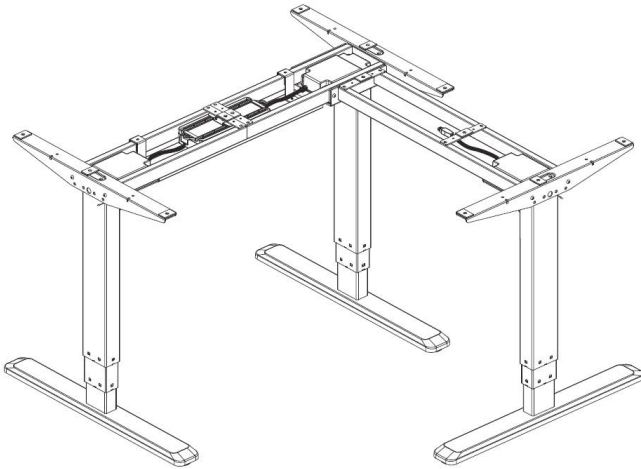


---

## Black Electric Multi Motor Corner Desk Frame Instruction Manual



**SKU: DESK-V133E**



Scan the QR code with your mobile device or follow the link for helpful videos and specifications related to this product.

<https://vivo-us.com/products/desk-v133e>



help@vivo-us.com



www.vivo-us.com



1-800-371-5654

## ⚠️ WARNING!

If you do not understand these directions, or if you have any doubts about the safety of the installation, please call a qualified technician. Check carefully to make sure there are no missing or defective parts. Improper installation may cause damage or serious injury. Do not use this product for any purpose that is not explicitly specified in this manual and do not exceed weight capacity. We cannot be liable for damage or injury caused by improper mounting, incorrect assembly, or inappropriate use.

## ⚠️ ELECTRICAL SAFETY INSTRUCTIONS

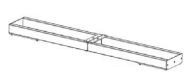
THIS PRODUCT IS POWERED BY ELECTRICITY. IN ORDER TO AVOID BURNS, FIRE AND ELECTRIC SHOCK, PLEASE READ THE FOLLOWING INSTRUCTIONS CAREFULLY.

- DO NOT CLEAN PRODUCT WHILE POWER IS CONNECTED.
- DO NOT DISASSEMBLE OR REPLACE COMPONENTS WHILE POWER IS CONNECTED.
- NEVER OPERATE THE SYSTEM WITH A DAMAGED CORD OR PLUG. PLEASE CONTACT YOUR SELLER TO REPLACE DAMAGED PARTS.
- NEVER OPERATE SYSTEM IN DAMP ENVIRONMENTS OR IF ANY ELECTRICAL COMPONENTS HAVE MADE CONTACT WITH LIQUIDS.
- ALTERATIONS OF THE GIVEN POWER UNIT ARE NOT ALLOWED.
- OUTDOOR USE IS PROHIBITED.

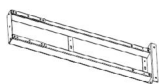
## ⚠️ WARNING: CHOKING HAZARD

SMALL PARTS - NOT FOR CHILDREN UNDER 3 YEARS. ADULT SUPERVISION IS REQUIRED.

## PACKAGE CONTENTS



**A** (x1)  
Telescopic  
Crossbar



**B** (x1)  
Extension  
Crossbar



**C** (x3)  
Side Bracket



**D** (x3)  
Foot



**E** (x1)  
Cable Tray



**F** (x3)  
Lifting Column



**G** (x1)  
Fixing Plate



**H** (x1)  
Control Unit



**I** (x2)  
Hook



**J** (x1)  
Power Cord



**K** (x1)  
Extension Cord



**L** (x1)  
Control Panel



**S-A** (x32)  
M6x12 Bolt



**S-B** (x15)  
7/8" Screw



**S-C** (x2)  
3/4" Screw



**S-D** (x6)  
M4x6 Bolt



**S-E** (x3)  
Cable Clip



**S-F** (x13)  
Rubber Pad



**S-G** (x1)  
Allen  
Wrench

## TOOLS NEEDED



Phillips  
Screwdriver



Drill



Level

DO NOT EXCEED WEIGHT CAPACITY.  
Failure to do so may result in serious injury.

330lbs  
(149.69kg)

## ⚠️ WARNING

### PINCH POINT

DO NOT place hands on or near support bars. Moving parts can crush and cut. Pinch points are created during lifting and lowering the worksurface. Failure to follow these instructions may result in serious personal injury.

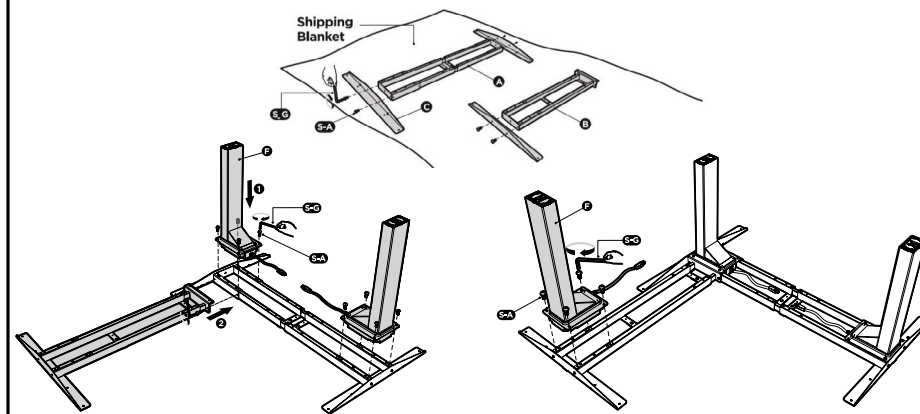


## ASSEMBLY STEPS

### STEP 1

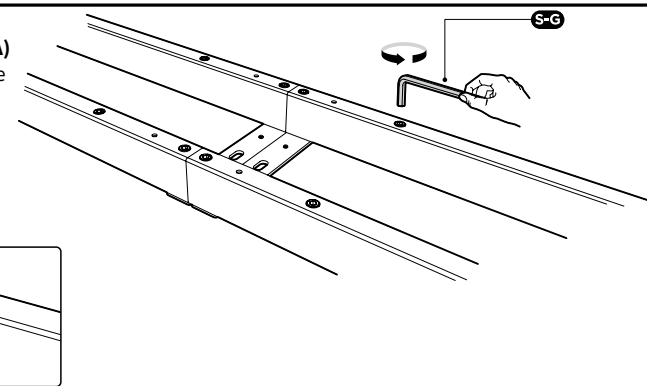
Attach the two side brackets (**C**) to the two ends of the telescopic crossbar (**A**) using four M6x12 bolts (**S-A**) as shown. Attach the last side bracket to the end of the extension crossbar (**B**) opposite from the L-shaped bracket using two M6x12 bolts as shown. Tighten all bolts with Allen wrench (**S-G**).

Place lifting columns (**F**) on telescopic crossbar (**A**), and align the holes on the end of the extension crossbar with the holes on the center lifting column and telescopic crossbar (**A**). Secure lifting columns and extension crossbar with ten M6x12 bolts (**S-A**). (**NOTE**: Two of the bolts insert through the side of the L-shaped bracket on the extension crossbar.) Attach third lifting column to the assembled frame by using four M6x12 bolts (**S-A**). Tighten all fourteen bolts with the Allen wrench (**S-G**).



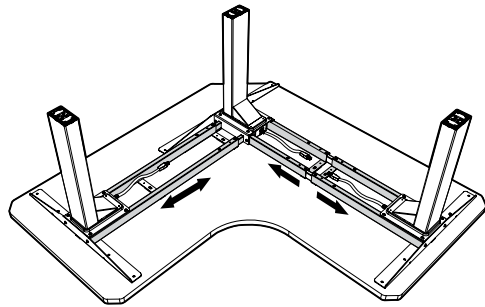
### STEP 2

Loosen all eight set screws on the telescopic crossbar (**A**) and all four set screws on the extension crossbar (**B**) using the Allen wrench (**S-G**).



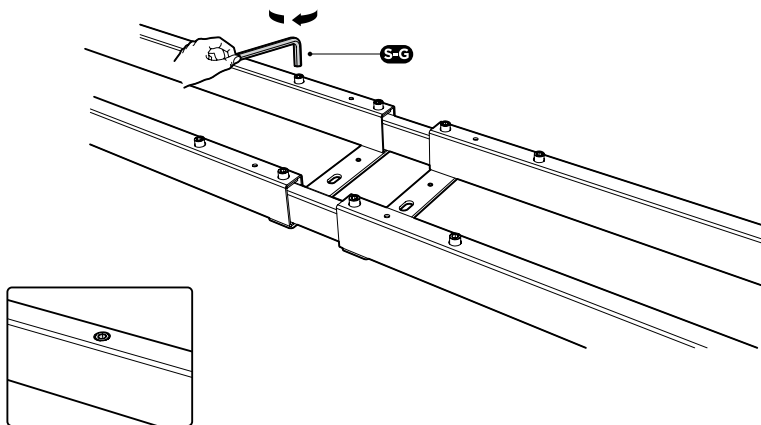
### STEP 3

Place tabletop upside down on the floor. Place frame assembly upside down on tabletop, and adjust the crossbars to the appropriate length.



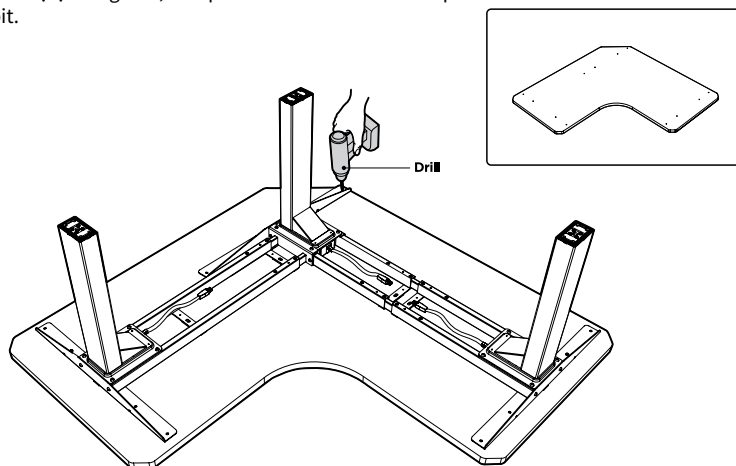
### STEP 4

Tighten all set screws with the Allen wrench (S-G).



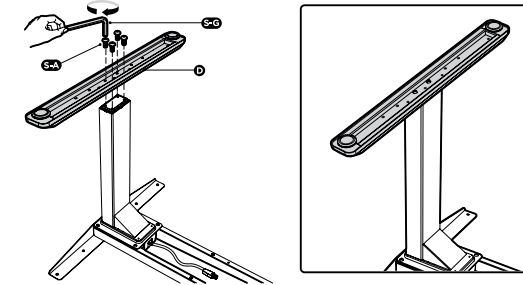
### STEP 5

Using the side brackets (C) as a guide, drill pilot holes into the tabletop using a 3/32" drill bit.



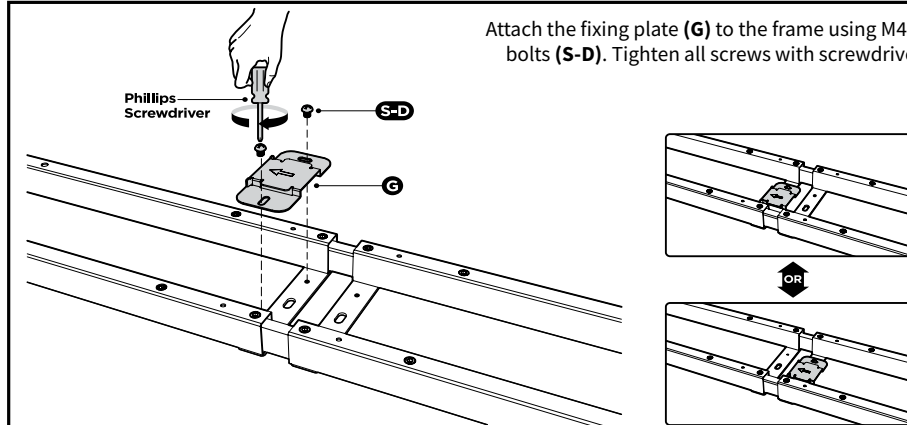
### STEP 6

Place the feet (D) on the columns as shown. Insert M6x12 bolts (S-A) into the four mounting holes on each foot and tighten with Allen wrench (S-G).



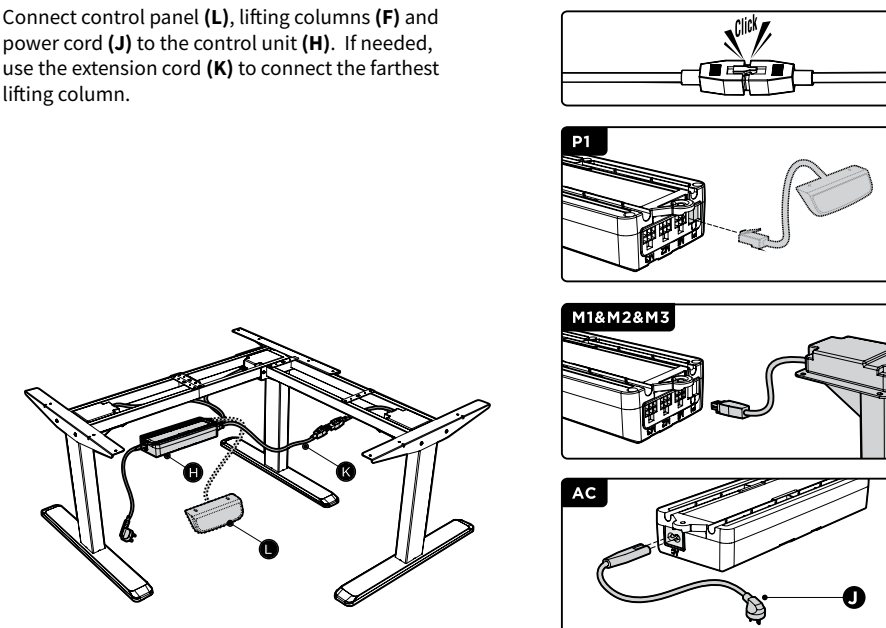
### STEP 7

Attach the fixing plate (G) to the frame using M4x6 bolts (S-D). Tighten all screws with screwdriver.



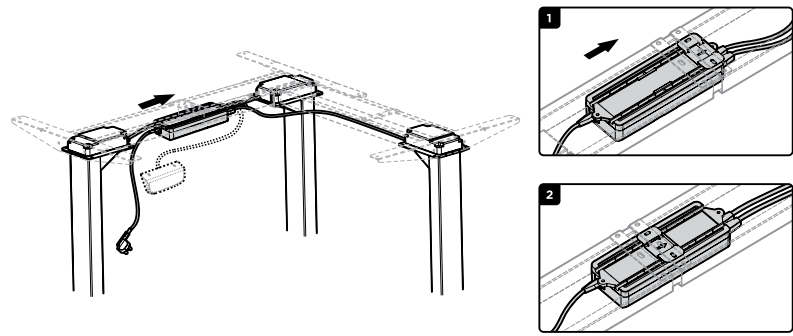
### STEP 8

Connect control panel (L), lifting columns (F) and power cord (J) to the control unit (H). If needed, use the extension cord (K) to connect the farthest lifting column.



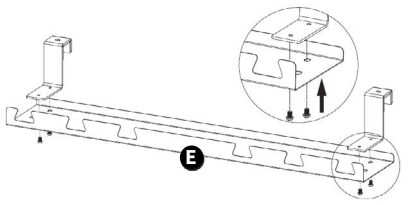
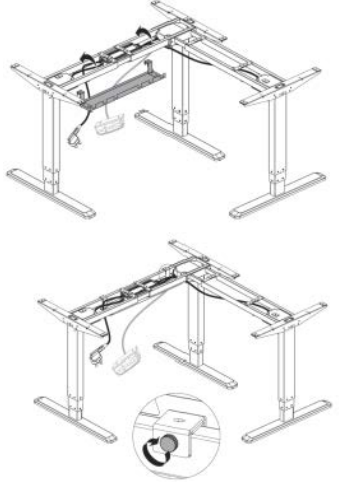
### STEP 9

Slide the control unit (H) onto the fixing plate (G).



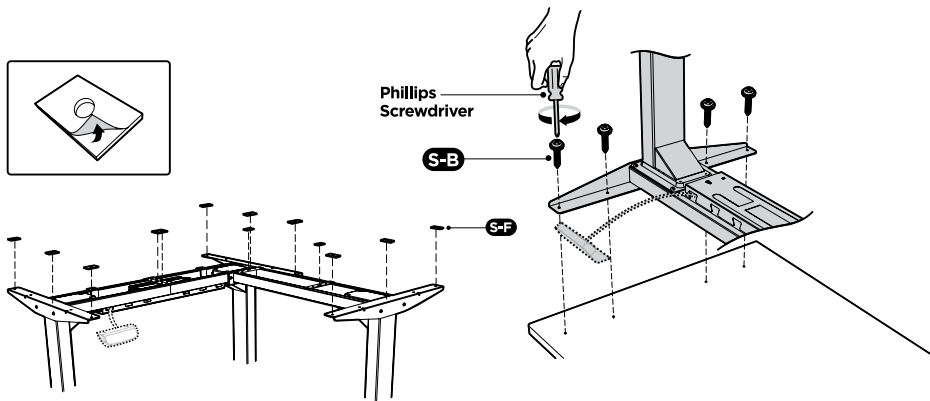
### STEP 10

Fix the hooks (I) to the shelf (F) with M4x6 bolts (S-D). Tighten all bolts. Hang the cable management shelf onto the frame as shown. Tighten thumbscrews on the hooks to secure the shelf.



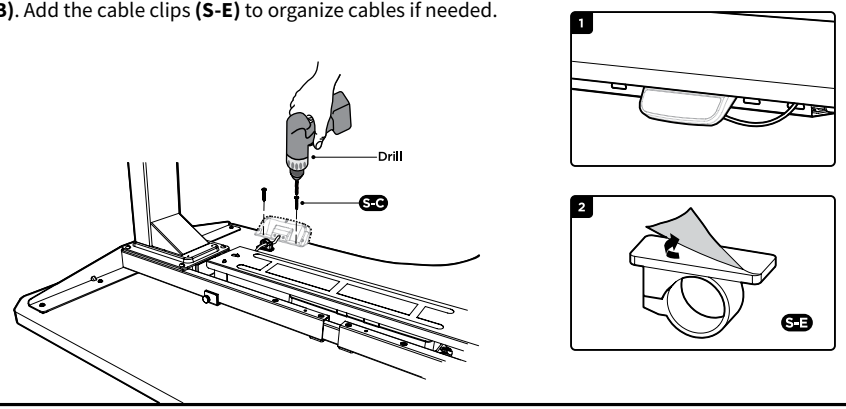
### STEP 11

Remove the protective films from the adhesive rubber pads (S-F). Stick the rubber pads to the desk frame, then place the tabletop on the desk frame. Attach the tabletop using the 7/8" screws (S-B).



### STEP 12

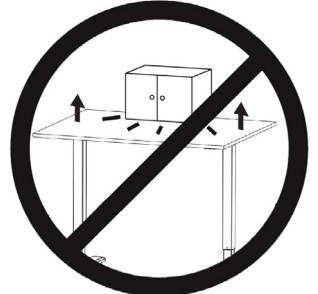
Attach the control panel (L) to the frame using the 3/4" screws (S-B). Add the cable clips (S-E) to organize cables if needed.



**CAUTION!**



Do not exceed desk weight limit.



Keep area of vertical motion free of obstacles.



Keep weight on desk balanced for correct operation and longer life of components.



Leave enough slack in cables to allow for full range of vertical motion.

Failure to follow these instructions may result in property damage and/or personal injury.



Love your new VIVO setup and want to share?

Tag us in your photo! **@vivo\_us**

Last Updated: 08/08/2019



If any parts are received damaged or defective, please contact us. We are happy to replace parts to ensure you have a fully functioning product.



[help@vivo-us.com](mailto:help@vivo-us.com)



[www.vivo-us.com](http://www.vivo-us.com)



1-800-371-5654

For more VIVO products, check out our website at:  
[www.vivo-us.com](http://www.vivo-us.com).