

---

## Black 47" Electric Gaming Desk with LED Lights

### Instruction Manual



**SKU: DESK-GME2B**



Scan the QR code with your mobile device or follow the link for helpful videos and specifications related to this product.

<https://vivo-us.com/products/desk-gme2b>

---

**GET IN TOUCH** | Monday-Friday from 7:00am-7:00pm CST



help@vivo-us.com



www.vivo-us.com  
*Chat live with an agent!*



309-278-5303

## **WARNING!**

If you do not understand these directions, or if you have any doubts about the safety of the installation, please call a qualified technician. Check carefully to make sure there are no missing or defective parts. Improper installation may cause damage or serious injury. Do not use this product for any purpose that is not explicitly specified in this manual and do not exceed weight capacity. We cannot be liable for damage or injury caused by improper mounting, incorrect assembly, or inappropriate use.

## **WARNING: CHOKING HAZARD**

SMALL PARTS - NOT FOR CHILDREN UNDER 3 YEARS. ADULT SUPERVISION IS REQUIRED.

## PACKAGE CONTENTS



**A** (x24)  
M5x16



**B** (x18)  
M6x16



**C** (x5)  
Cable Clip



**D** (x1)  
4mm Allen  
Wrench



**1** (x2)  
Desktop



**2** (x1)  
Control Panel



**3** (x1)  
Power Cord



**4** (x1)  
Control Unit



**5** (x1)  
Extension  
Cable



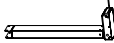
**6** (x1)  
Support  
Frame



**7** (x1)  
Side Bracket



**8** (x1)  
Side Bracket



**9** (x2)  
Leg



**10** (x4)  
Plastic Cover



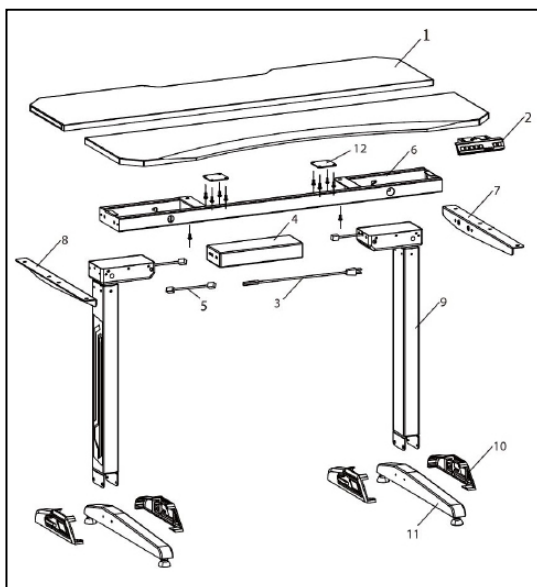
**11** (x2)  
Foot



**12** (x2)  
Desktop  
Connecting Plate



**13** (x1)  
Power  
Adapter



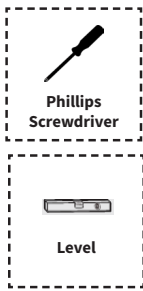
**NOTE:** SOME HARDWARE INCLUDED MAY NOT BE USED

## **ELECTRICAL SAFETY INSTRUCTIONS**

THIS PRODUCT IS POWERED BY ELECTRICITY. IN ORDER TO AVOID BURNS, FIRE AND ELECTRIC SHOCK. PLEASE READ THE FOLLOWING INSTRUCTIONS CAREFULLY.

- DO NOT CLEAN PRODUCT WHILE POWER IS CONNECTED.
- DO NOT DISASSEMBLE OR REPLACE COMPONENTS WHILE POWER IS CONNECTED.
- NEVER OPERATE THE SYSTEM WITH A DAMAGED CORD OR PLUG. PLEASE CONTACT YOUR SELLER TO REPLACE DAMAGED PARTS.
- NEVER OPERATE SYSTEM IN DAMP ENVIRONMENTS OR IF ANY ELECTRICAL COMPONENTS HAVE MADE CONTACT WITH LIQUIDS.
- ALTERATIONS OF THE GIVEN POWER UNIT ARE NOT ALLOWED.
- OUTDOOR USE IS PROHIBITED.

## TOOLS NEEDED



# WARNING

## PINCH POINT

DO NOT place hands on or near support bars. Moving parts can crush and cut. Pinch points are created during lifting and lowering the worksurface. Failure to follow these instructions may result in serious personal injury.



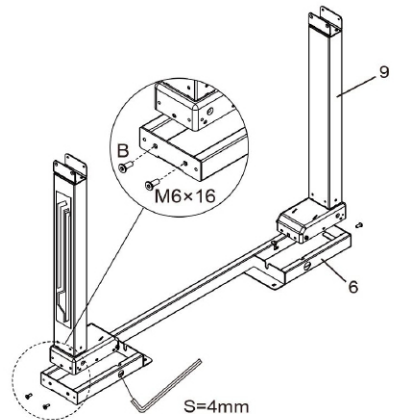
DO NOT EXCEED WEIGHT CAPACITY.  
Failure to do so may result in serious injury.

220lbs  
(100kg)

## ASSEMBLY STEPS

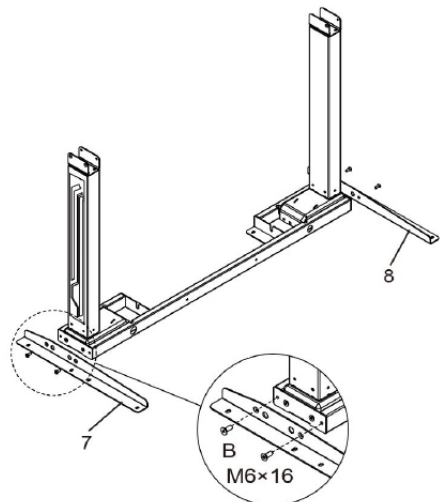
### STEP 1

Insert legs (9) into support frame (6), making sure the pre-installed bolts are fit into the slots. Insert two M6x16 bolts (B) into each side to secure the legs, and tighten all bolts using the 4mm Allen wrench (D).



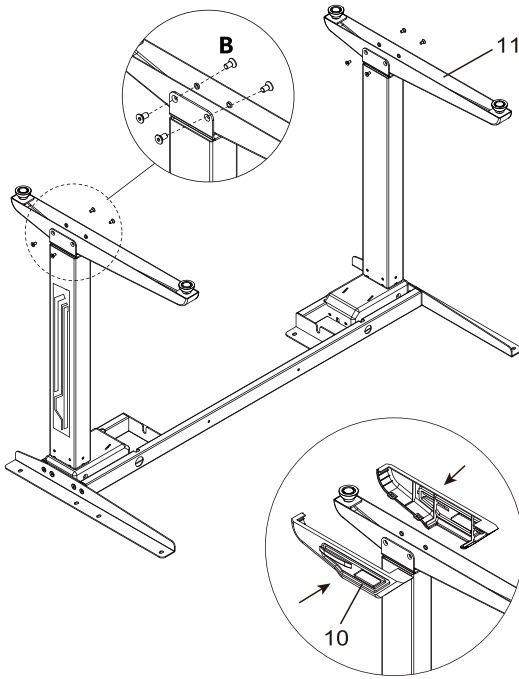
### STEP 2

Assemble side brackets (7, 8) to support frame using M6x16 bolts (B), making sure the long crossbar is in the center of the brackets, and tighten with the Allen wrench (D).



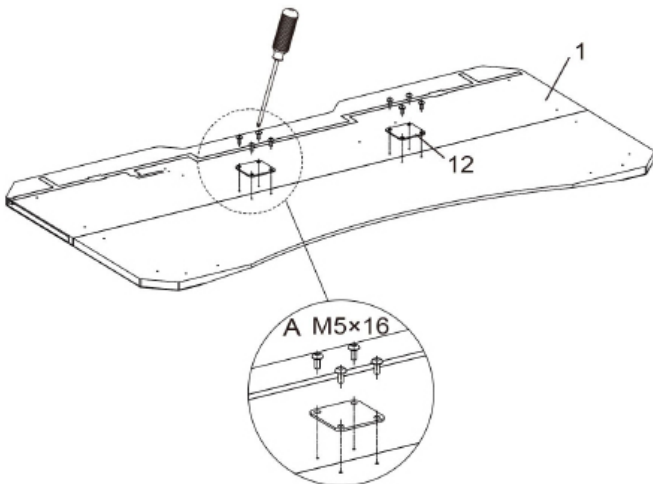
### STEP 3

Assemble feet **(11)** to legs using M6x16 bolts **(B)**, making sure both feet are facing forward, and tighten with the Allen wrench **(D)**. Snap plastic covers **(10)** onto the short ends of the feet.



### STEP 4

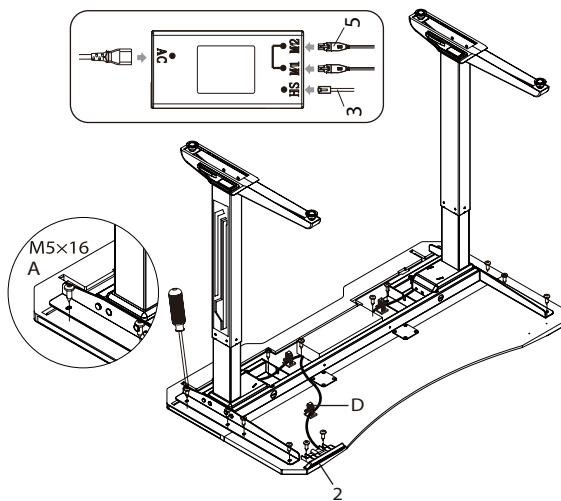
Assemble the desktop **(1)** using desktop connecting plates **(12)** with M5x16 screws **(A)** and tighten with a Phillips screwdriver.




## STEP 5

Place assembled frame on the desktop and secure using ten M5x16 screws (**A**). Four screws fit each side bracket, and two screws fit the support frame between the legs. Secure control unit (**4**) and control panel (**2**) using two M5x16 screws for each. Tighten all screws with a Phillips screwdriver.

Connect control panel, legs, extension cable (**5**) and power cord (**3**) to control unit and manage cables using cable clips (**C**).



 Figure 1: The controller is prohibited from suspension testing to avoid false alarm.

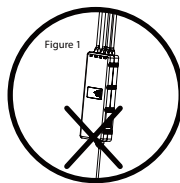
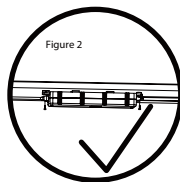
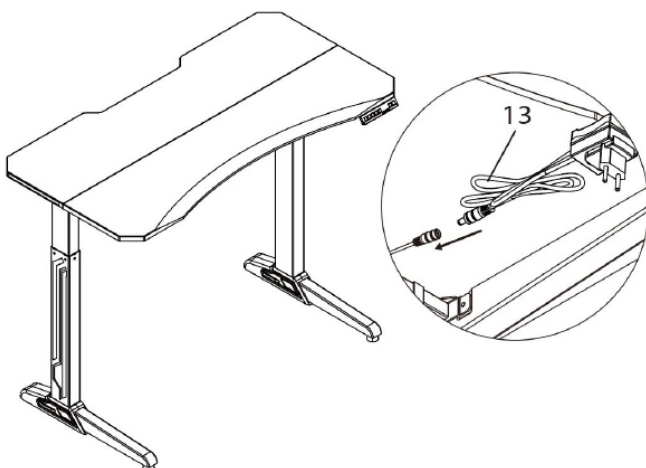


Figure 2: The controller must be fixed before testing.



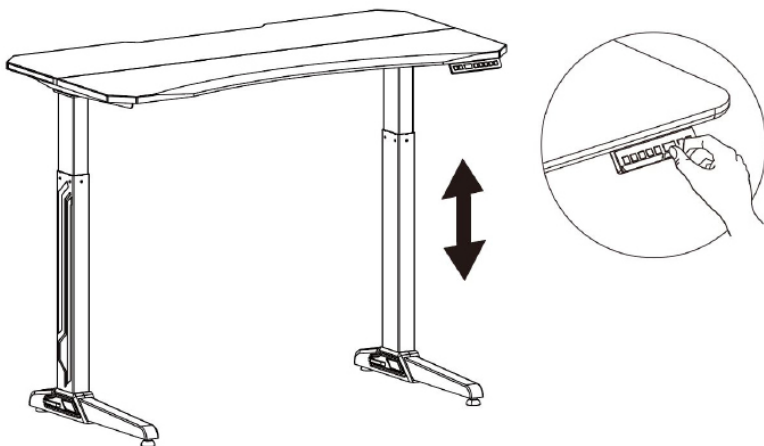
## STEP 6

Turn the desk right side up and connect the power adapter (**13**) to the desktop lighting cable.



## STEP 7

Plug the power cable into an AC wall outlet, then use the control panel to adjust the height.

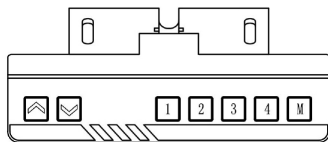


## OPERATING CONTROL PANEL

**OPERATING INSTRUCTIONS:** When the system is powered on, the existing desktop height will appear on the control panel.

### Upward and Downward Movement

Press and hold the up or down arrow until the desk reaches the desired height.



### Memory Mode

To store a certain height in the controller's memory, first press "M". The current height will begin flashing on the display. Now press "1", "2", "3" or "4" within six seconds to store the current height in memory. Each number can store a different height. Once in memory, you can recall any of the four height settings by pressing the corresponding button. Touching any button will stop the automatic adjustment.

### Power-Saving Mode

When no actions are made for over 2 minutes, the system will enter power-saving mode. Touch any button to enter operating mode.

### Function Mode

Press and hold the "M" button for 3 seconds, or until "S - -" begins flashing on the display. Press "M" again to enter Function mode. Within function mode, use the up and down buttons to scroll through settings, and use the "M" button to select options. If no action is taken for 20 seconds, the desk will return to operating mode.

- **Change Displayed Unit (Un):** Press the up or down buttons until the display shows "Un", and press "M" to select. Press up or down to select "SI" (metric) or "In" (imperial). Hold "M" for 2 seconds to save the setting.
- **Change Brightness (br):** Press the up or down buttons until the display shows "br", and press "M" to select. Press up or down to select Low (L), Normal (n) or High (H) brightness. Hold "M" for 2 seconds to save the setting.
- **Collision Force Detection (CF):** Press the up or down buttons until the display shows "CF", and press "M" to select. Press up or down to select "OFF", Low (L), Normal (n) or Heavy (H) collision force detection. Hold "M" for 2 seconds to save the setting.

### Reset Mode

While the unit is powered on, press the down arrow until the desk moves to the fully lowered position. Press and hold the down arrow for 5 seconds or until “RES” is displayed to enter reset mode. The desk will move down to the lowest possible height and then move back up slightly. The desk will then return to operating mode.

- **E20 - Desk Overload:** If overloaded while moving up, error will clear after 3 seconds. If overloaded moving down, unplug desk for 10 seconds then reconnect power.
- **Circuit Protection:** If motor or controller becomes disconnected, the desk will cease operation. Error will clear after all components are reconnected.

## TROUBLESHOOTING

### Error Code Description/Resolution

<b>HOT</b>	Heat Warning: Allow desk to rest for 18 minutes.
<b>E10</b>	Motor connection fault: Disconnect desk power, disconnect the motor, reconnect the motor, then reconnect power.
<b>E20</b>	Desk overload: Unplug desk for 10 seconds then reconnect to power.
<b>E02</b>	Obstacle protection. Desk will automatically move back 4cm after collision.
<b>E31</b>	Under-voltage (power brown out). Will clear automatically when line power is corrected.
<b>E32</b>	Over-voltage (power surge). Will clear automatically when line power is corrected.
<b>E60</b>	Legs are at different heights. Reset the desk to align the legs.

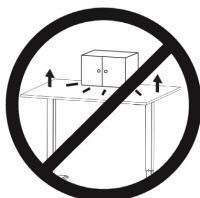
### NOTES

- **Self-protection function:** The unit will enter a protective mode should the system operate continuously in excess of 2 minutes with “HOT” on the controller display. The system will return to normal operation after approximately 18 minutes.
- Do NOT remove or reconnect power to reset the unit when in a protective or “HOT” state, as this may damage the electronics.

### CAUTION!



Do not exceed desk weight limit.



Keep area of vertical motion free of obstacles.



Keep weight on desk balanced for correct operation and longer life of components.



Leave enough slack in cables to allow for full range of vertical motion.

Failure to follow these instructions may result in property damage and/or personal injury.



Open **Monday - Friday 7:00am - 7:00pm** CST,  
our dedicated support team can offer immediate assistance with rapid response times. If any parts are received damaged or defective, please contact us. We are happy to replace parts to ensure you have a fully functioning product.


 [help@vivo-us.com](mailto:help@vivo-us.com)

**AVG. RESPONSE TIME** (*within office hrs*): **1HR 8M**

- 23% within < 15m
- 38% within < 30m
- 61% within < 1hr
- 83% within < 2hr
- 92% within < 3hr

 [www.vivo-us.com](http://www.vivo-us.com)  
*Chat live with an agent!*

**AVG. RESOLUTION TIME** (*within office hrs*): **< 15 M**

 309-278-5303

**AVG. RESOLUTION TIME** (*within office hrs*): **5M 4S**