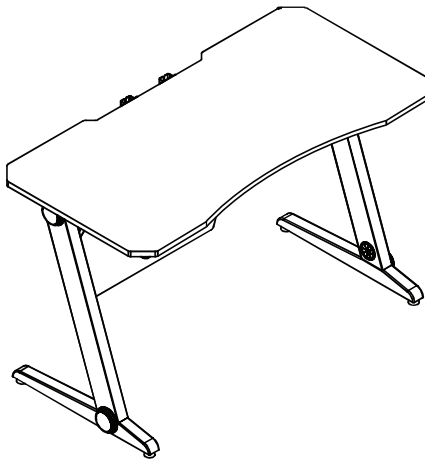


---

## Z-Shaped 47" Gaming Computer Desk

### Instruction Manual



**SKU: DESK-GMZ0B**



Scan the QR code with your mobile device or follow the link for helpful videos and specifications related to this product.

<https://vivo-us.com/products/desk-gmz0b>

---

GET IN TOUCH | Monday-Friday from 7:00am-7:00pm CST



help@vivo-us.com



www.vivo-us.com  
*Chat live with an agent!*



309-278-5303

**⚠ WARNING!**

If you do not understand these directions, or if you have any doubts about the safety of the installation, please call a qualified technician. Check carefully to make sure there are no missing or defective parts. Improper installation may cause damage or serious injury. Do not use this product for any purpose that is not explicitly specified in this manual and do not exceed weight capacity. We cannot be liable for damage or injury caused by improper mounting, incorrect assembly, or inappropriate use.

**⚠ WARNING: CHOKING HAZARD**

SMALL PARTS - NOT FOR CHILDREN UNDER 3 YEARS. ADULT SUPERVISION IS REQUIRED.

**PACKAGE CONTENTS**



**1 (x1)**  
Tabletop



**2 (x1)**  
Left Leg



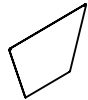
**3 (x1)**  
Right Leg



**4 (x1)**  
Crossbar



**5 (x1)**  
Plug Board Holder



**6 (x1)**  
Baffle



**A (x4)**  
Cable Grommet



**B (x4)**  
Adjustable Foot



**C (x4)**  
Cable Clip



**D (x6)**  
M6x12



**E (x2)**  
Knob



**F (x2)**  
Cable Tie



**G (x4)**  
Decorative Cover



**H (x1)**  
Allen Wrench



**I (x2)**  
Table Leg Stickers

**NOTE: SOME HARDWARE MAY NOT BE USED**

**TOOLS NEEDED**



Phillips Screwdriver



Level

**⚠ WARNING**

**PINCH POINT**

DO NOT place hands on or near support bars. Moving parts can crush and cut. Pinch points are created during lifting and lowering the worksurface. Failure to follow these instructions may result in serious personal injury.



**DO NOT EXCEED WEIGHT CAPACITY.**

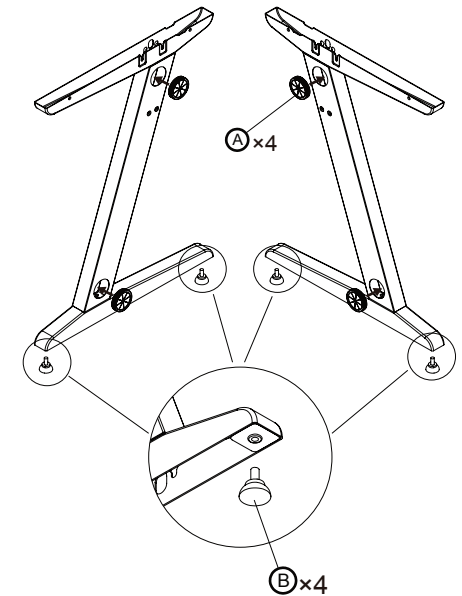
Failure to do so may result in serious injury.



**ASSEMBLY STEPS**

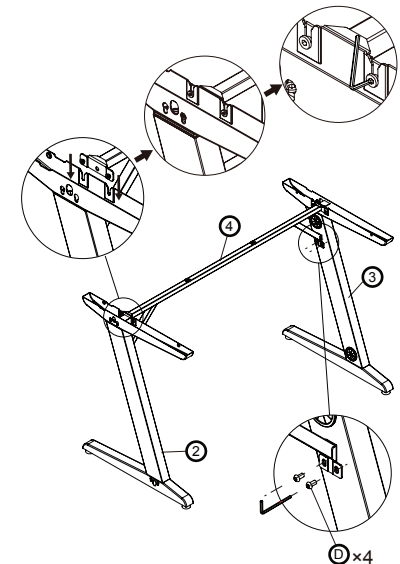
**STEP 1**

Insert cable grommets **(A)** into holes in legs **(2, 3)**. Screw adjustable feet **(B)** into underside of legs.



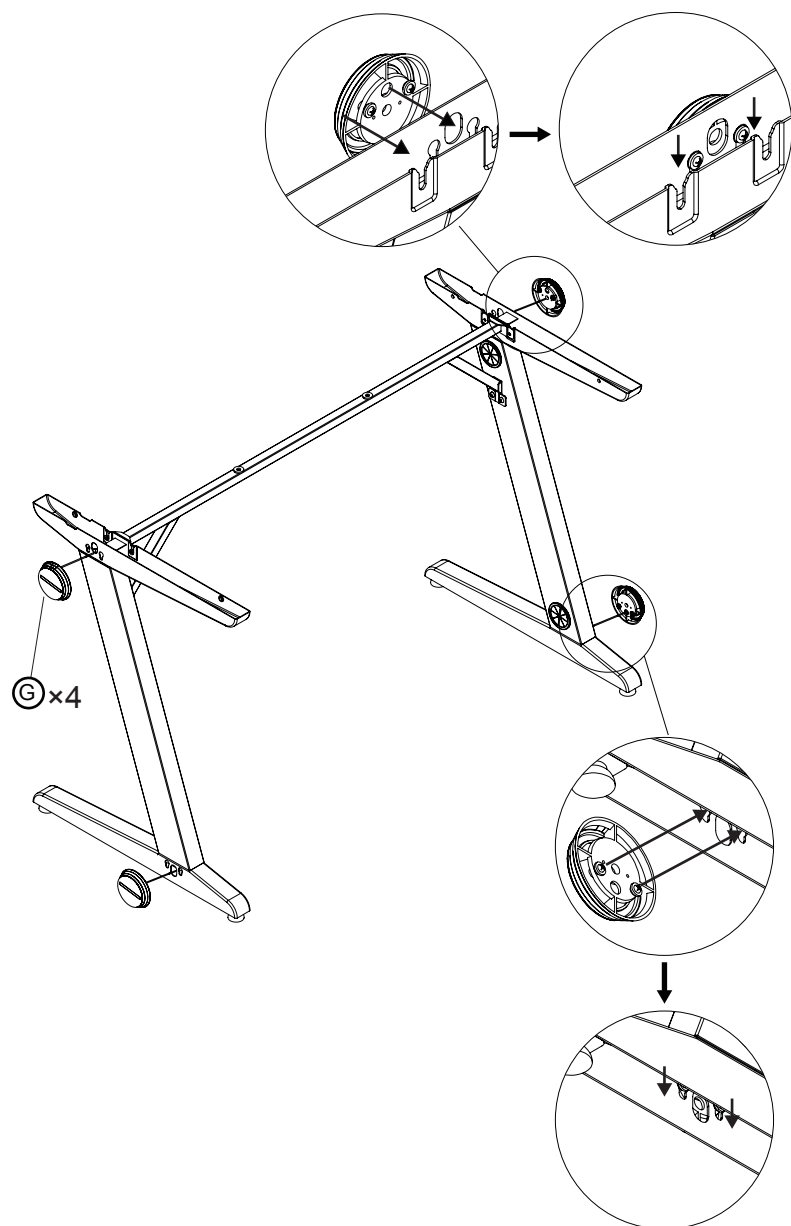
**STEP 2**

Fit pre-installed bolts on crossbar **(4)** into slots on tops of legs as shown. Insert M6x12 bolts **(D)** into lower holes of crossbar, then tighten all bolts with the Allen wrench **(H)**.



### STEP 3

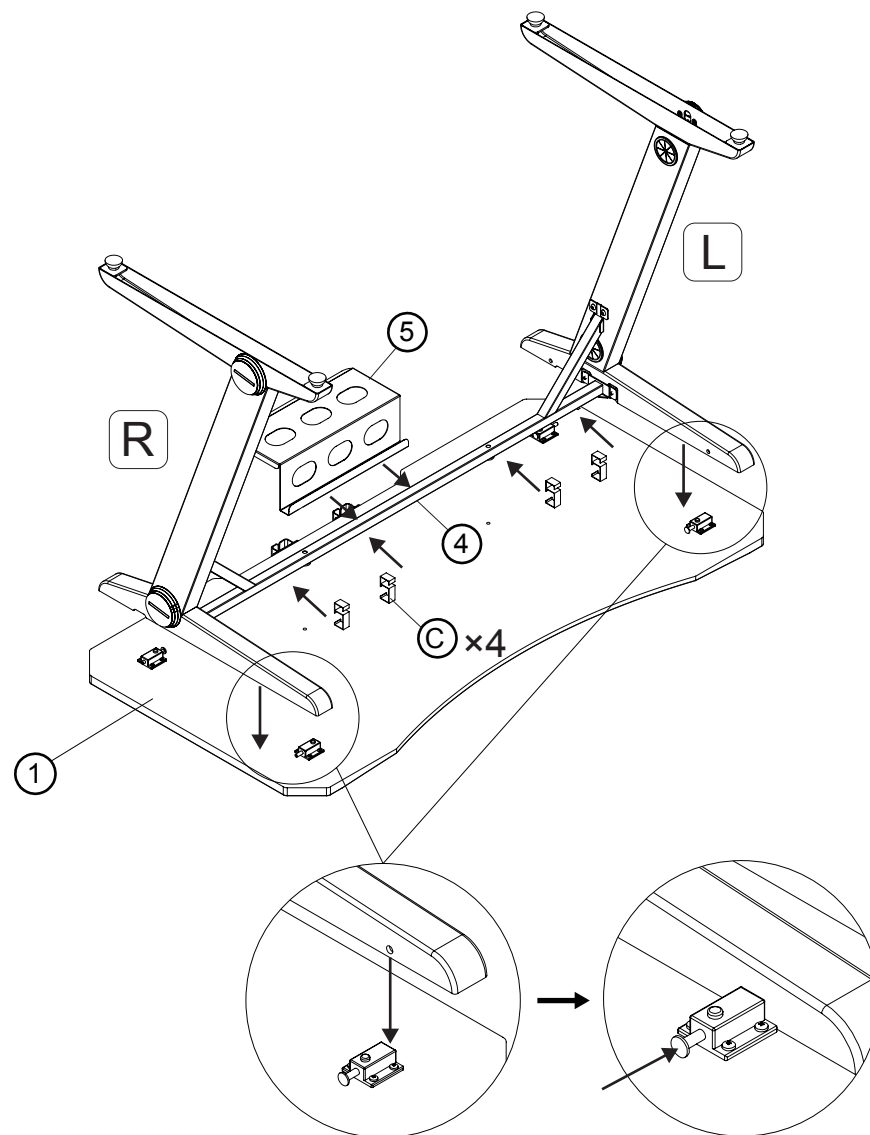
Insert tabs of decorative covers (**G**) into "keyholes" and press down to secure.



### STEP 4

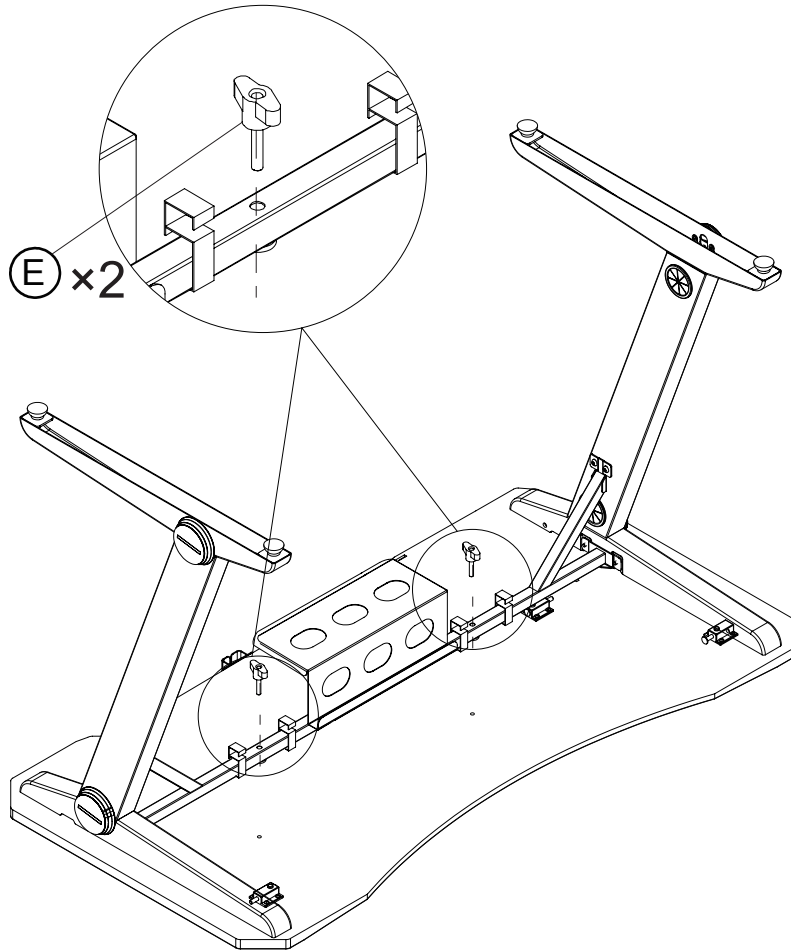
Hang power strip/UPS holder (**5**) and cable clips (**C**) on crossbar. Place tabletop (**1**) on assembled frame, aligning security pins with legs and support bar. Press security pins through holes to secure tabletop to frame.

(NOTE: Desk shown upside down.)



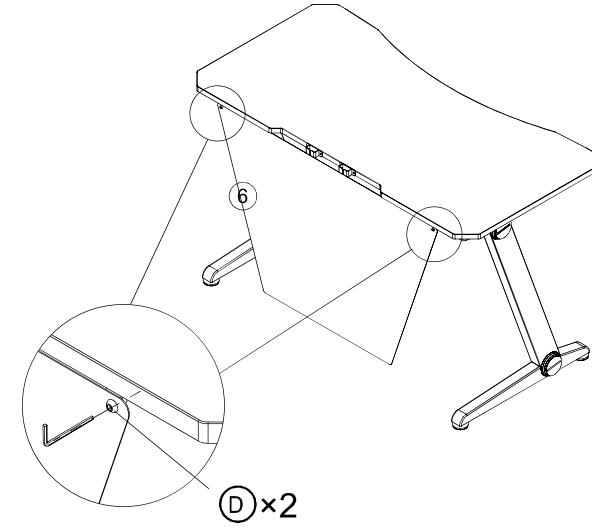
## STEP 5

Insert knobs **(E)** through holes in crossbar and tighten into tabletop.



## STEP 6

Install baffle **(6)** to tabletop using M6x12 bolts **(D)** and tighten with the Allen wrench **(H)**. If needed, turn adjustable feet to sit level. Use cable ties **(F)** to help organize cables from monitor, keyboard and other devices.





Open **Monday - Friday 7:00am - 7:00pm CST**, our dedicated support team can offer immediate assistance with rapid response times. If any parts are received damaged or defective, please contact us. We are happy to replace parts to ensure you have a fully functioning product.


 [help@vivo-us.com](mailto:help@vivo-us.com)

**AVG. RESPONSE TIME** (*within office hrs*): **1HR 8M**

- 23% within < 15m
- 38% within < 30m
- 61% within < 1hr
- 83% within < 2hr
- 92% within < 3hr

 [www.vivo-us.com](http://www.vivo-us.com)  
*Chat live with an agent!*

**AVG. RESOLUTION TIME** (*within office hrs*): **< 15 M**

 309-278-5303

**AVG. RESOLUTION TIME** (*within office hrs*): **5M 4S**