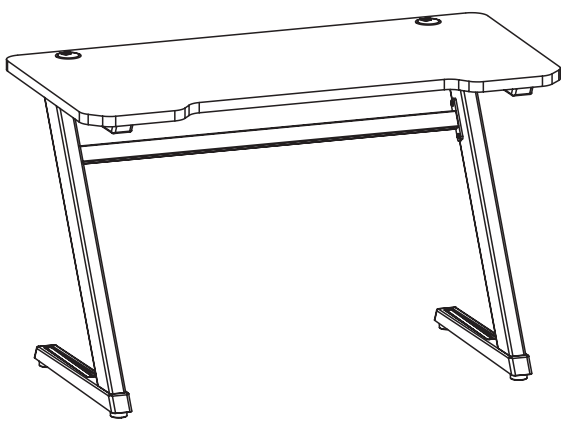


---

## Z-Shaped 47" Gaming Computer Desk

### Instruction Manual



**SKU: DESK-GM1ZB**



Scan the QR code with your mobile device or follow the link for helpful videos and specifications related to this product.

<https://vivo-us.com/products/desk-gm1zb>

---

**GET IN TOUCH** | Monday-Friday from 7:00am-7:00pm CST



help@vivo-us.com



www.vivo-us.com  
*Chat live with an agent!*



309-278-5303

## **WARNING!**

If you do not understand these directions, or if you have any doubts about the safety of the installation, please call a qualified technician. Check carefully to make sure there are no missing or defective parts. Improper installation may cause damage or serious injury. Do not use this product for any purpose that is not explicitly specified in this manual and do not exceed weight capacity. We cannot be liable for damage or injury caused by improper mounting, incorrect assembly or inappropriate use.

## **TIPOVER WARNING**

SERIOUS OR FATAL CRUSHING INJURIES CAN OCCUR FROM TIPOVER. TO HELP PREVENT TIPOVER:

- NEVER ALLOW CHILDREN TO CLIMB, STAND, HANG, OR PLAY ON ANY PART OF DESK OR CHAIR
- USE TIPOVER RESTRAINT OR ANCHOR DESK TO WALL

**USE OF TIPOVER RESTRAINTS MAY ONLY REDUCE, BUT NOT ELIMINATE RISK OF TIPOVER.**

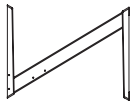
## **WARNING: CHOKING HAZARD**

SMALL PARTS - NOT FOR CHILDREN UNDER 3 YEARS. ADULT SUPERVISION IS REQUIRED.

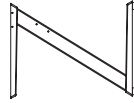
## PACKAGE CONTENTS



**A (x1)**  
Desktop



**B (x1)**  
Right Leg



**C (x1)**  
Left Leg



**D (x1)**  
Stabilizer Bar



**E (x6)**  
M6x16



**F (x4)**  
M6x45



**G (x1)**  
4mm Allen Wrench

## **WARNING** **PINCH POINT**

DO NOT place hands on or near support bars. Moving parts can crush and cut. Pinch points are created during lifting and lowering the worksurface. Failure to follow these instructions may result in serious personal injury.



**DO NOT EXCEED WEIGHT CAPACITY.**

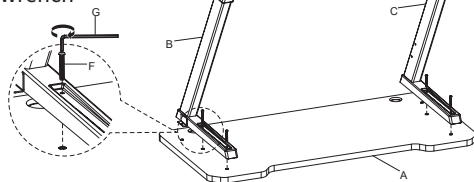
Failure to do so may result in serious injury.



# ASSEMBLY STEPS

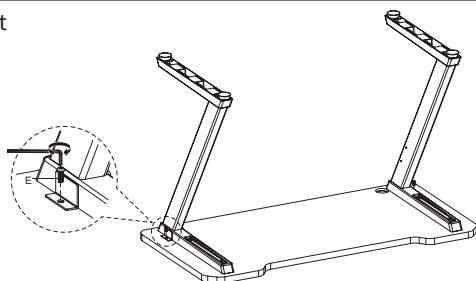
## STEP 1

With the desktop (A) placed upside down on a flat surface, assemble the legs (B, C) to the desktop using M6x45 bolts (F). Make sure bolts are snug using the Allen wrench (G), but do not yet tighten.



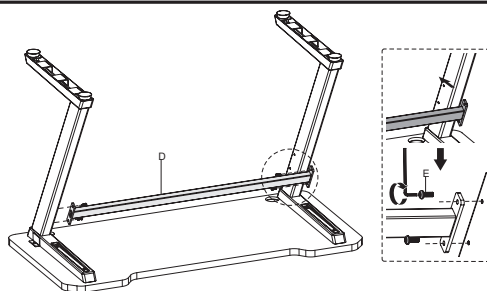
## STEP 2

Insert M6x16 (E) bolts into desktop. Do not yet tighten.



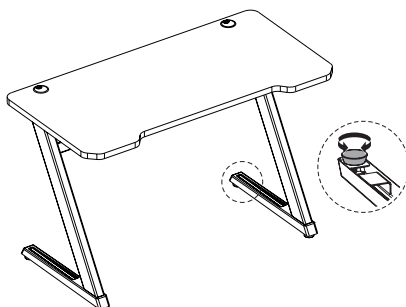
## STEP 3

Assemble stabilizer bar (D) to legs using M6x16 bolts (E). Tighten stabilizer bar bolts, then tighten all bolts with the Allen wrench.



## STEP 4

Carefully flip the desk right side up. If needed, adjust feet to sit level.





Open **Monday - Friday 7:00am - 7:00pm CST**, our dedicated support team can offer immediate assistance with rapid response times. If any parts are received damaged or defective, please contact us. We are happy to replace parts to ensure you have a fully functioning product.


 [help@vivo-us.com](mailto:help@vivo-us.com)

**AVG. RESPONSE TIME** (*within office hrs*): **1HR 8M**

- 23% within < 15m
- 38% within < 30m
- 61% within < 1hr
- 83% within < 2hr
- 92% within < 3hr

 [www.vivo-us.com](http://www.vivo-us.com)  
*Chat live with an agent!*

**AVG. RESOLUTION TIME** (*within office hrs*): **< 15 M**

 309-278-5303

**AVG. RESOLUTION TIME** (*within office hrs*): **5M 4S**