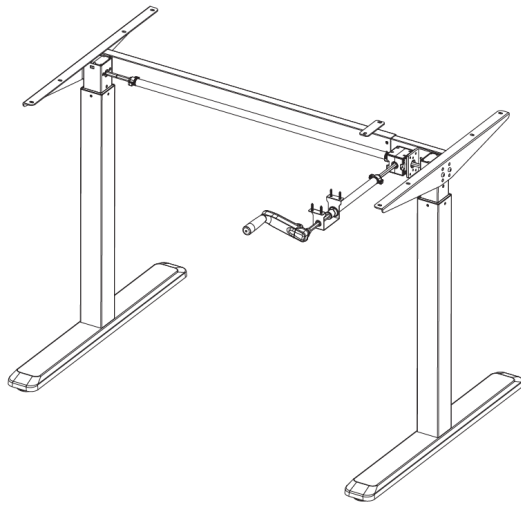




---

## Crank Height Adjustable Desk Frame - Black

### Instruction Manual



**SKU: DESK-V101M**



Scan the QR code with your mobile device or follow the link for helpful videos and specifications related to this product.

<https://vivo-us.com/products/desk-v101m>



help@vivo-us.com



www.vivo-us.com



1-800-371-5654

# **WARNING!**

If you do not understand these directions, or if you have any doubts about the safety of the installation, please call a qualified technician. Check carefully to make sure there are no missing or defective parts. Improper installation may cause damage or serious injury. Do not use this product for any purpose that is not explicitly specified in this manual and do not exceed weight capacity. We cannot be liable for damage or injury caused by improper mounting, incorrect assembly, or inappropriate use.

## PACKAGE CONTENTS



**A (x1)**  
Telescopic  
Crossbar



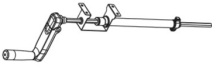
**B (x1)**  
Sync Rod



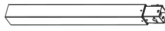
**C (x2)**  
Side Bracket



**D (x2)**  
Foot



**E (x1)**  
Drive Rod Module



**F (x1)**  
Leg



**G (x1)**  
Leg



**S-A (x16)**



**S-B (x4)**



**S-C (x10)**



**S-D (x1)**  
Allen Wrench

## TOOLS NEEDED



**Drill**

# **WARNING** **PINCH POINT**

DO NOT place hands on or near support bars. Moving parts can crush and cut. Pinch points are created during lifting and lowering the worksurface. Failure to follow these instructions may result in serious personal injury.



**Phillips  
Screwdriver**



**Level**

**DO NOT EXCEED WEIGHT CAPACITY.**  
Failure to do so may result in serious injury.

**132 lbs**  
**59.87kg**

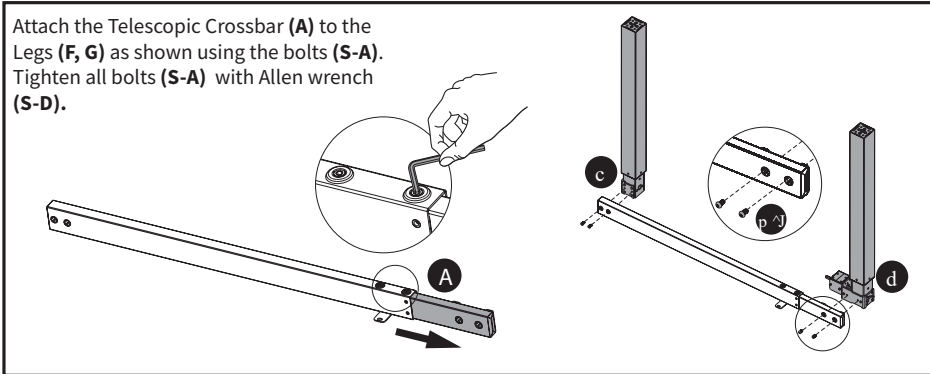
# **WARNING: CHOKING HAZARD**

SMALL PARTS - NOT FOR CHILDREN UNDER 3 YEARS. ADULT SUPERVISION IS REQUIRED.

# ASSEMBLY STEPS

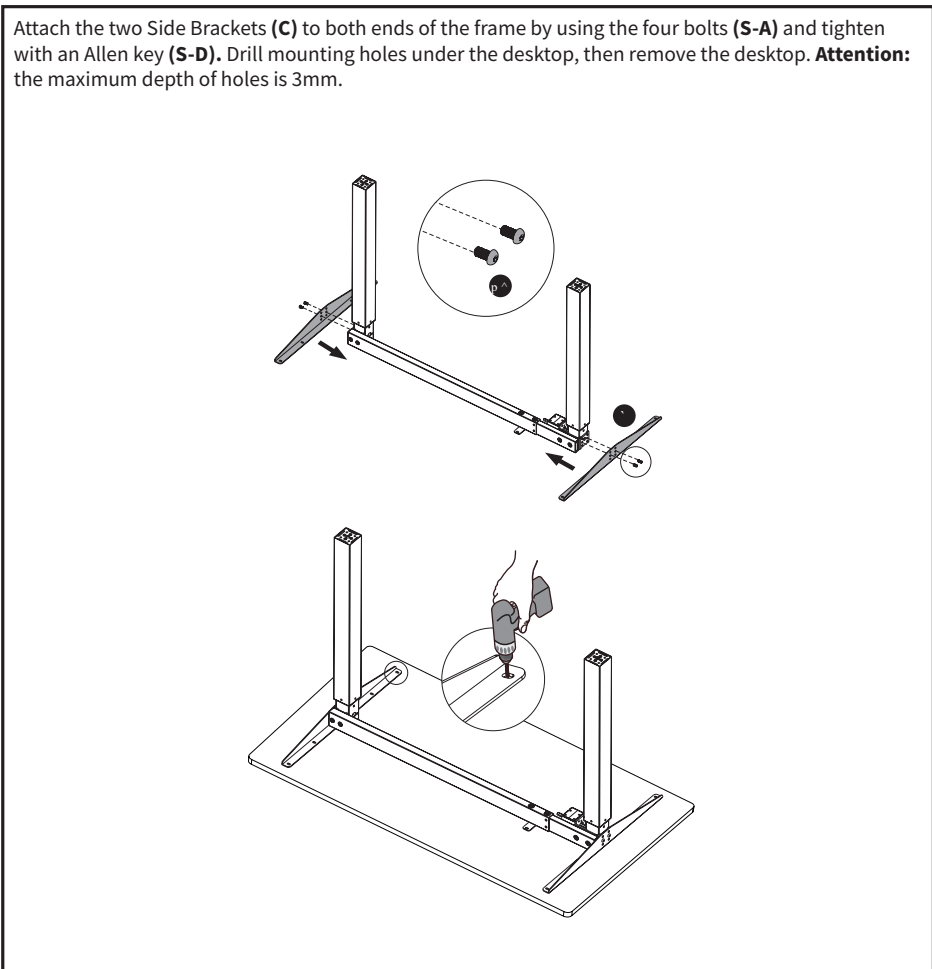
## STEP 1

Attach the Telescopic Crossbar (A) to the Legs (F, G) as shown using the bolts (S-A). Tighten all bolts (S-A) with Allen wrench (S-D).



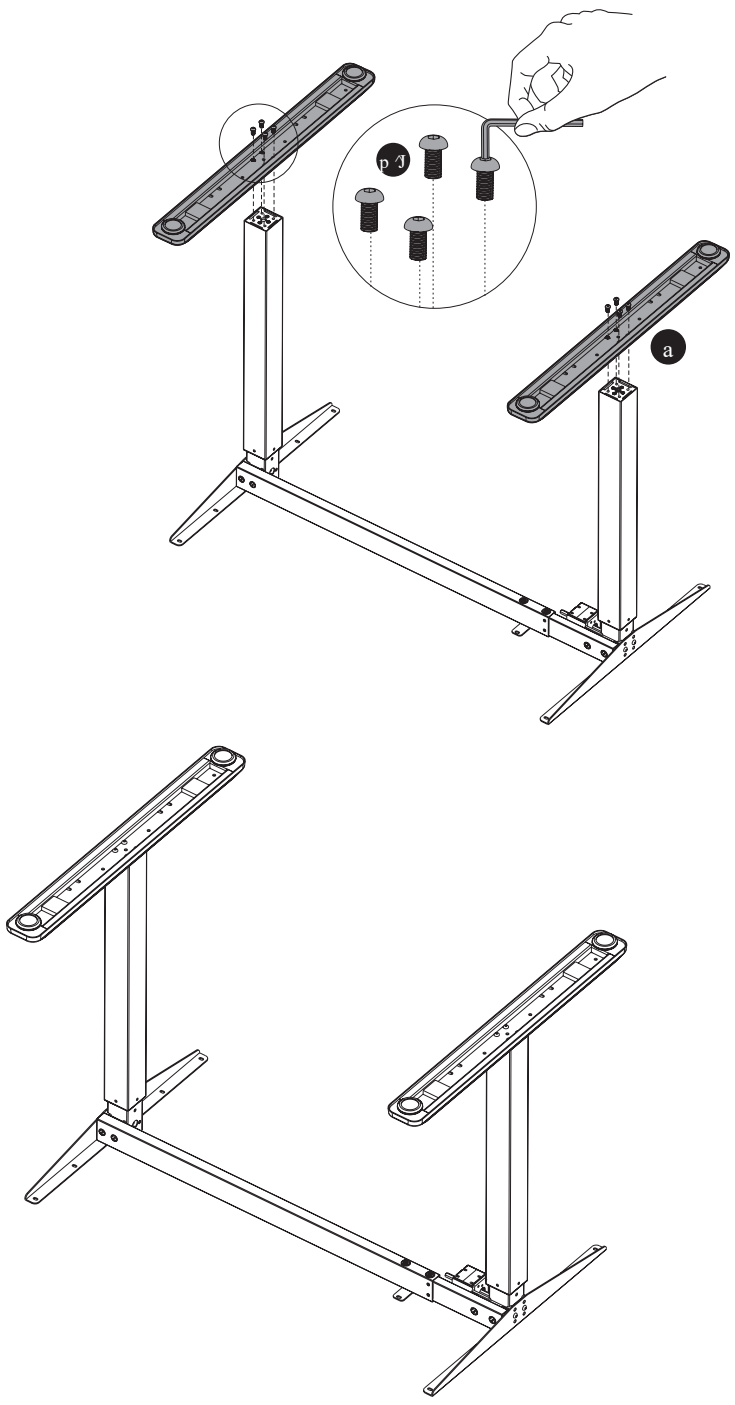
## STEP 2

Attach the two Side Brackets (C) to both ends of the frame by using the four bolts (S-A) and tighten with an Allen key (S-D). Drill mounting holes under the desktop, then remove the desktop. **Attention:** the maximum depth of holes is 3mm.



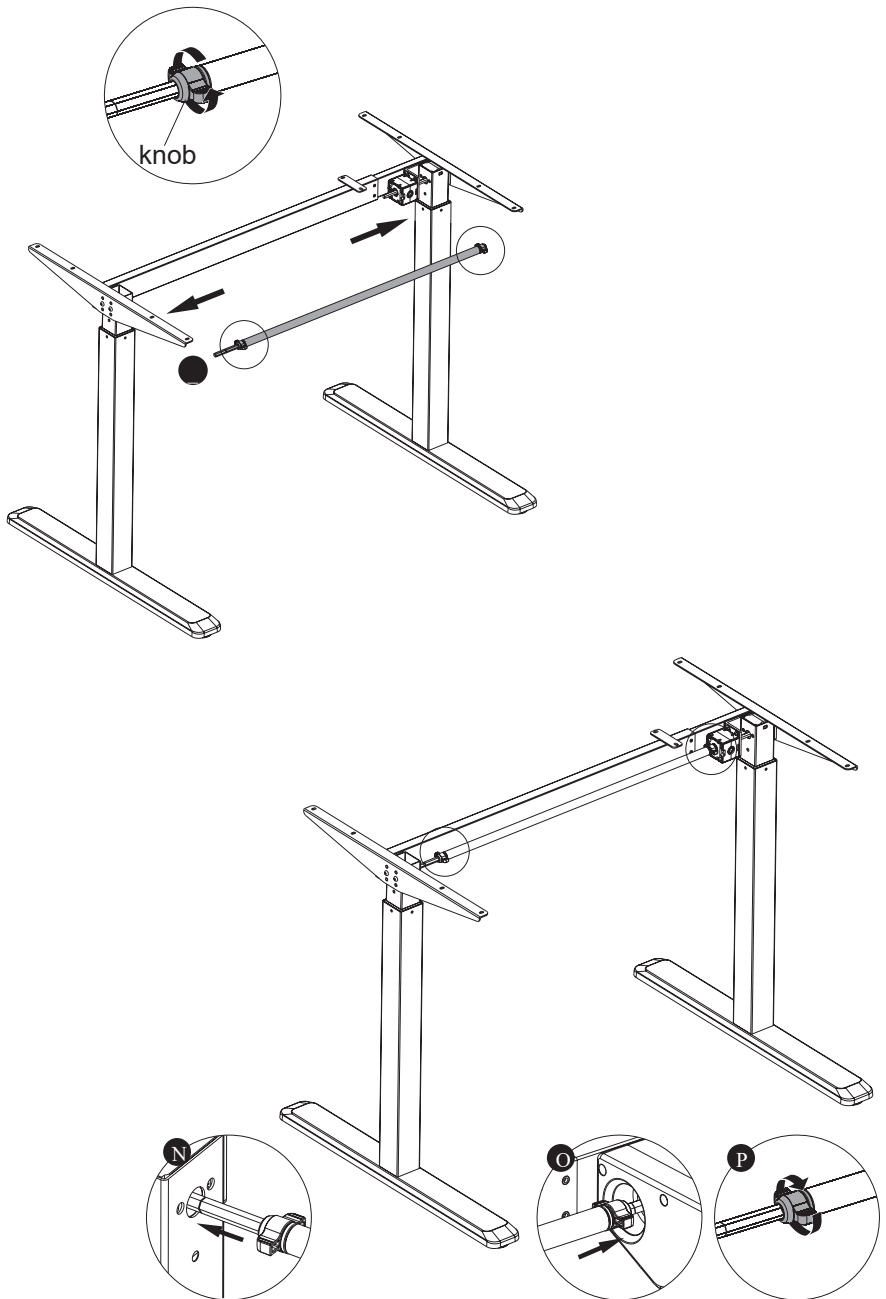
# STEP 3

Place the feet (D) on the Legs (F, G) as shown. Insert the bolts (S-A) as shown tighten.



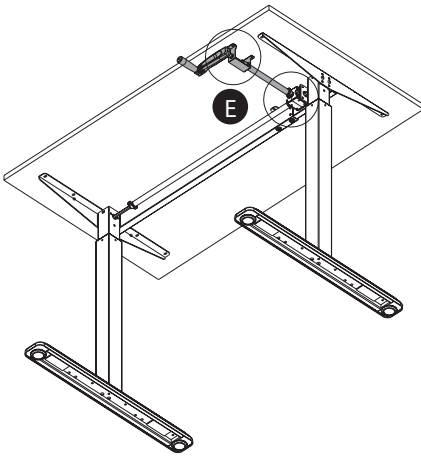
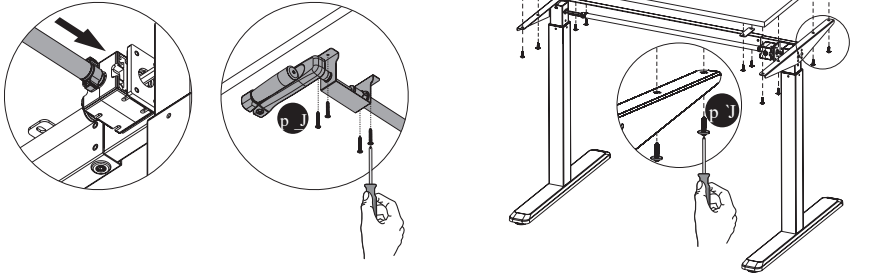
## STEP 4

With the frame positioned upright, turn the knob as shown counterclockwise to loosen the Sync Rod **(B)**. Adjust the Sync Rod **(B)** to match the frame's width. Notice: Match the red line on the Sync Rod **(B)** with the right side of Left Leg **(F)**. Match the right side of the right knob of the Sync Rod **(B)** with the red line on the rod of the gearbox. Re-tighten the Sync Rod **(B)** by using the knob.



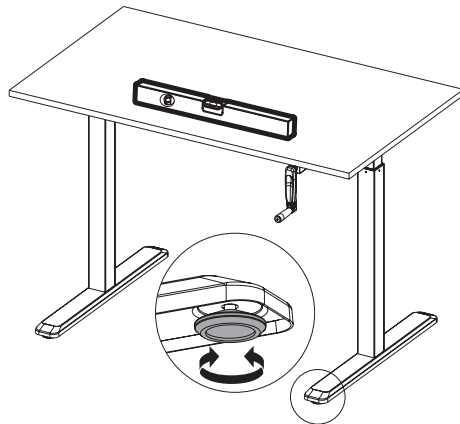
## STEP 5

Place the desktop on the frame and insert the desktop mounting screws (**S-B**) and tighten using a Philips screwdriver. Tighten all bolts (**S-C**) with a Philips screwdriver.



Insert the Drive Rod Module (**E**) into the upper part of the Legs (**F, G**) as shown. Mount the support plate onto the underside of the desk by using the bolts (**S-C**) identified in the diagram.

Each foot pad can be adjusted independently for fine tuning. Slightly turn the foot pad to lower or raise the base. Use a level to make sure the desktop is even.

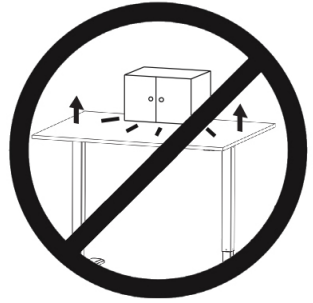




**CAUTION!**



Do not exceed desk weight limit.



Keep area of vertical motion free of obstacles.



Keep weight on desk balanced for correct operation and longer life of components.



Leave enough slack in cables to allow for full range of vertical motion.

Failure to follow these instructions may result in property damage and/or personal injury.



Love your new VIVO setup and want to share?

Tag us in your photo! **@vivo\_us**

Last Updated: 08/08/2019



If any parts are received damaged or defective, please contact us. We are happy to replace parts to ensure you have a fully functioning product.



[help@vivo-us.com](mailto:help@vivo-us.com)



[www.vivo-us.com](http://www.vivo-us.com)



1-800-371-5654

For more VIVO products, check out our website at:  
[www.vivo-us.com](http://www.vivo-us.com).