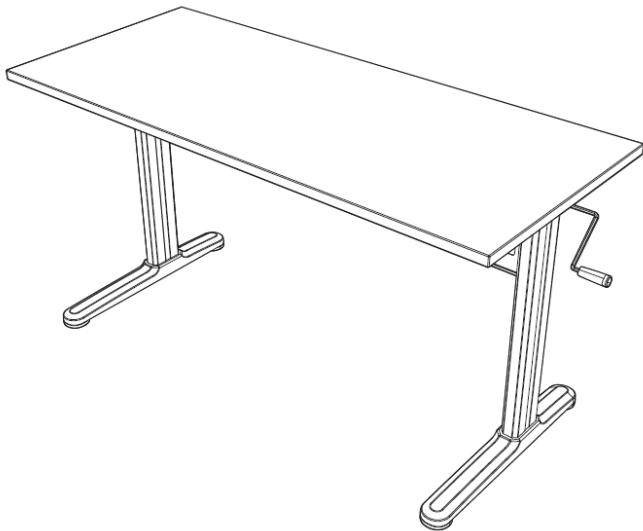




---

## Crank Height Adjustable 55" Desk - Black

### Instruction Manual



**SKU: DESK-V100M**



Scan the QR code with your mobile device or follow the link for helpful videos and specifications related to this product.

<https://vivo-us.com/products/desk-v100m>



help@vivo-us.com



www.vivo-us.com



1-800-371-5654

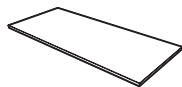
# **WARNING!**

If you do not understand these directions, or if you have any doubts about the safety of the installation, please call a qualified technician. Check carefully to make sure there are no missing or defective parts. Improper installation may cause damage or serious injury. Do not use this product for any purpose that is not explicitly specified in this manual and do not exceed weight capacity. We cannot be liable for damage or injury caused by improper mounting, incorrect assembly, or inappropriate use.

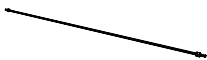
## **WARNING: CHOKING HAZARD**

SMALL PARTS - NOT FOR CHILDREN UNDER 3 YEARS. ADULT SUPERVISION IS REQUIRED.

## PACKAGE CONTENTS



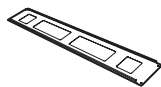
**A** (x1)  
Desktop



**B** (x1)  
Sync Rod



**C** (x2)  
Lifting Column



**D** (x1)  
Crossbar



**E** (x1)  
Crank



**S-A** (x4)  
M8x10 Hex  
Head Screw



**S-B** (x6)  
M6x30 Philips  
Head Screw



**S-C** (x1)  
Allen Wrench

## TOOLS NEEDED



**Phillips  
Screwdriver**



**Level**

## **WARNING** **PINCH POINT**

DO NOT place hands on or near support bars. Moving parts can crush and cut. Pinch points are created during lifting and lowering the worksurface. Failure to follow these instructions may result in serious personal injury.



**DO NOT EXCEED WEIGHT CAPACITY.**

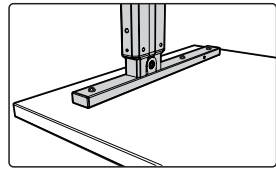
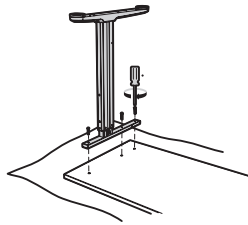
Failure to do so may result in serious injury.



## ASSEMBLY STEPS

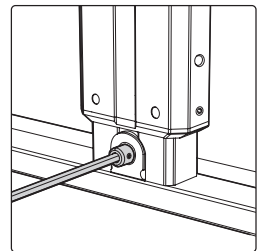
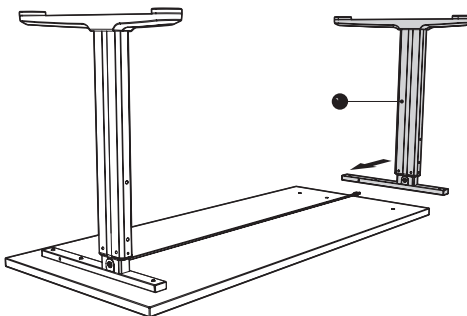
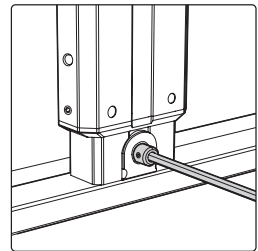
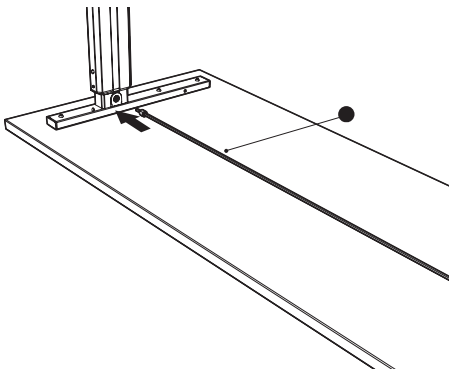
### STEP 1

Place desk board (A) upside down on a flat surface. Assemble one lifting column (C) to the desk board using x3 Phillips head screws (S-B) and tighten with a screwdriver.



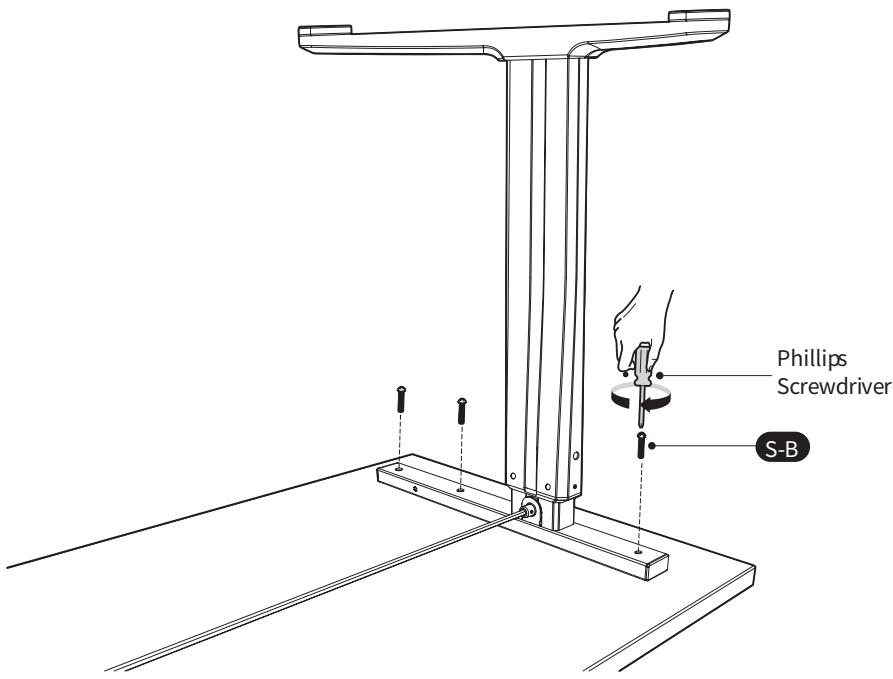
### STEP 2

Insert the sync rod (B) into the hex socket on the lifting column. Place the second column (C) onto the desk board and insert the other end of the sync rod into the column.



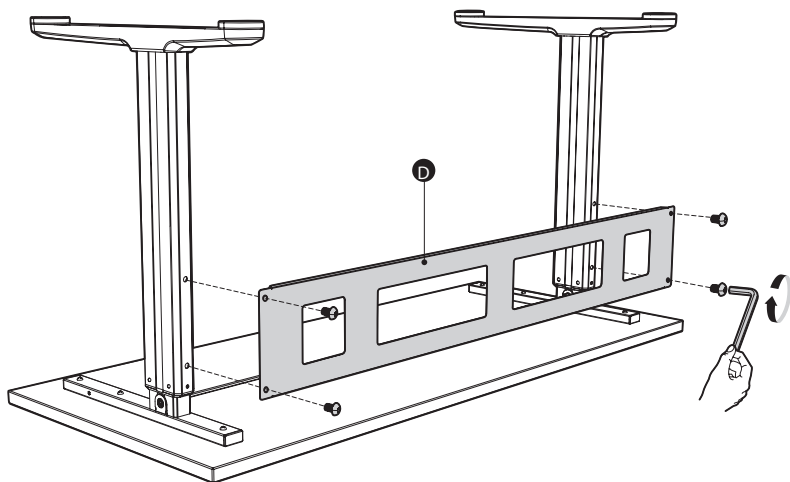
**STEP 3**

Secure the second lifting column to the desk board using x3 Phillips head screws (**S-B**) and tighten with a screwdriver.



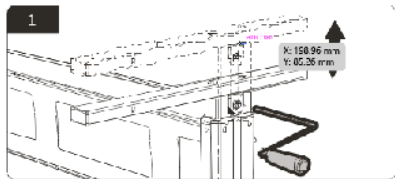
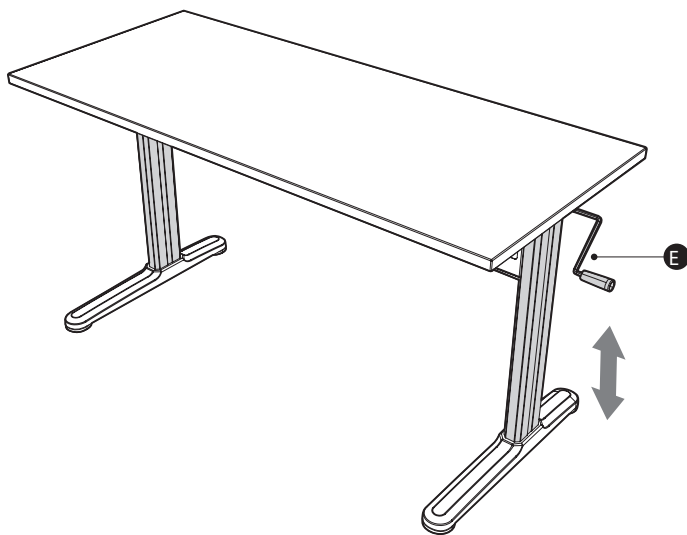
## STEP 4

Assemble the crossbar **(D)** to the back of the lifting columns using hex head screws **(S-A)** and tighten with the Allen wrench **(S-C)**.

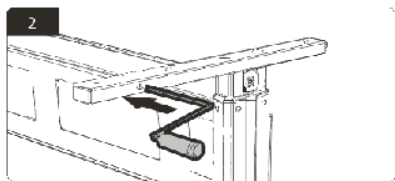


## STEP 5

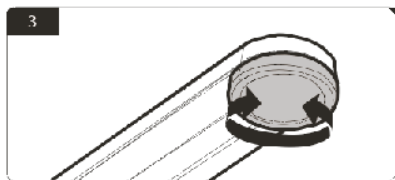
Insert the crank (E) into the hex socket of the lifting column.



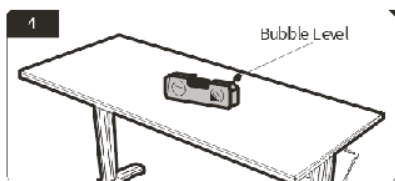
**Figure 1:** Turn the crank to raise or lower the desk.



**Figure 2:** Store the crank in the front of the desk support bracket on the column as shown.



**Figure 3:** Turn the foot pads to adjust the desk level.



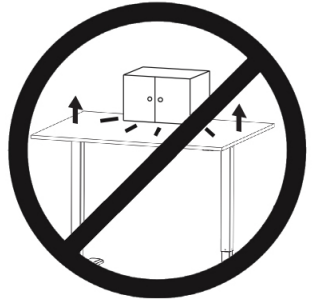
**Figure 4:** Use a bubble level to ensure the desk is sitting perfectly level.



## CAUTION!



Do not exceed desk weight limit.



Keep area of vertical motion free of obstacles.



Keep weight on desk balanced for correct operation and longer life of components.



Leave enough slack in cables to allow for full range of vertical motion.

Failure to follow these instructions may result in property damage and/or personal injury.



Love your new VIVO setup and want to share?

Tag us in your photo! **@vivo\_us**

Last Updated: 08/13/2019



If any parts are received damaged or defective, please contact us. We are happy to replace parts to ensure you have a fully functioning product.



[help@vivo-us.com](mailto:help@vivo-us.com)



[www.vivo-us.com](http://www.vivo-us.com)



1-800-371-5654

For more VIVO products, check out our website at:  
[www.vivo-us.com](http://www.vivo-us.com).