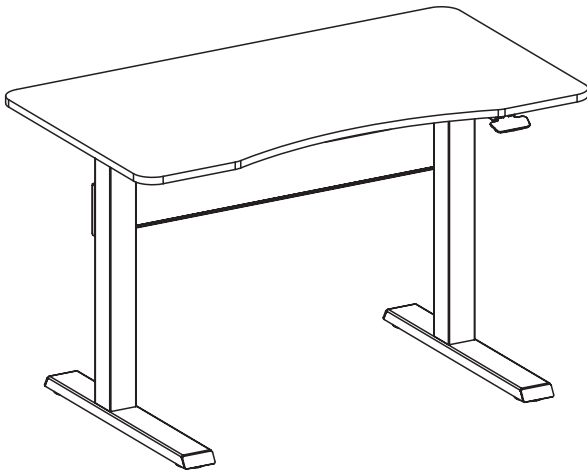


Black 47" Pneumatic Desk

Instruction Manual



SKU: DESK-V048GB



Scan the QR code with your mobile device or follow the link for helpful videos and specifications related to this product.

<https://vivo-us.com/products/desk-v048gb>

GET IN TOUCH | Monday-Friday from 7:00am-7:00pm CST



help@vivo-us.com



www.vivo-us.com
Chat live with an agent!



309-278-5303

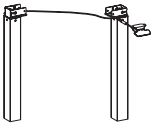
WARNING!

If you do not understand these directions, or if you have any doubts about the safety of the installation, please call a qualified technician. Check carefully to make sure there are no missing or defective parts. Improper installation may cause damage or serious injury. Do not use this product for any purpose that is not explicitly specified in this manual and do not exceed weight capacity. We cannot be liable for damage or injury caused by improper mounting, incorrect assembly, or inappropriate use.

WARNING: CHOKING HAZARD

SMALL PARTS - NOT FOR CHILDREN UNDER 3 YEARS. ADULT SUPERVISION IS REQUIRED.

PACKAGE CONTENTS



A (x1)
Column Set



B (x1)
Stabilizer Bar



C (x1)
Support Frame



D (x1)
Desktop



E (x2)
Foot



F (x18)
M6x10 Bolt



G (x8)
M6x14 Bolt



H (x1)
4mm Allen
Wrench

TOOLS NEEDED



**Phillips
Screwdriver**

WARNING **PINCH POINT**

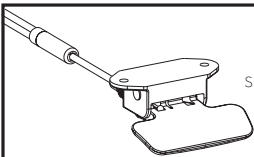
DO NOT place hands on or near support bars. Moving parts can crush and cut. Pinch points are created during lifting and lowering the worksurface. Failure to follow these instructions may result in serious personal injury.



Level

DO NOT EXCEED WEIGHT CAPACITY.

Failure to do so may result in serious injury.

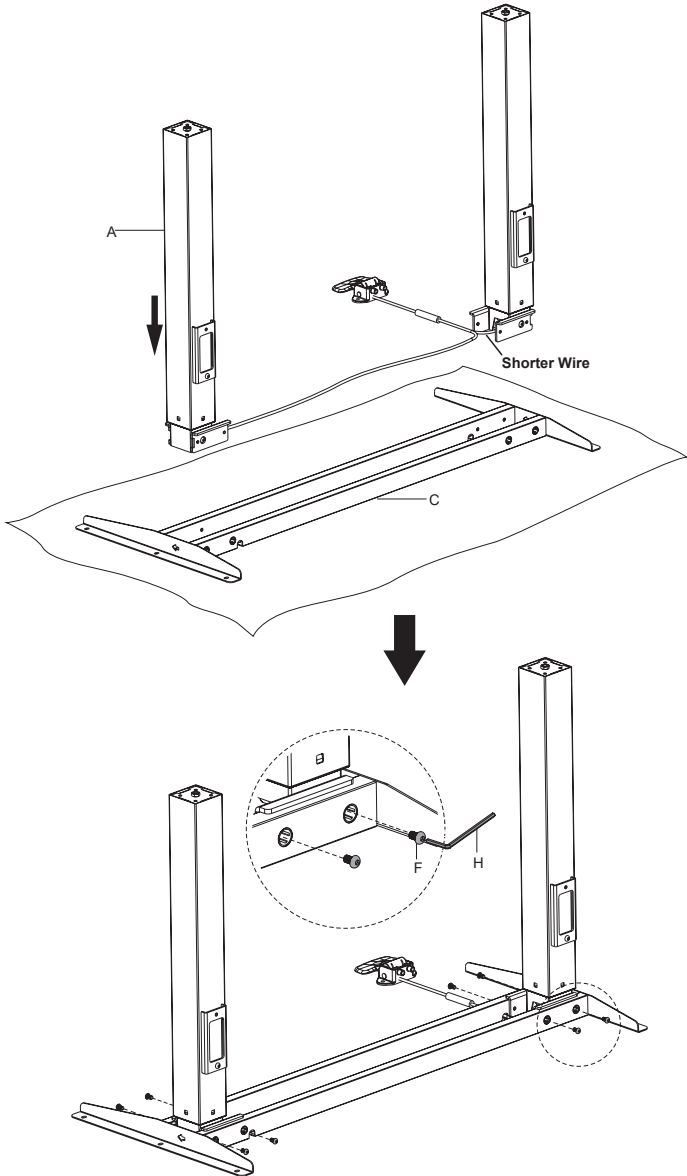


NOTE: To prevent possible injury or damage to equipment and your surroundings, never press or use the release paddle during installation.

ASSEMBLY STEPS

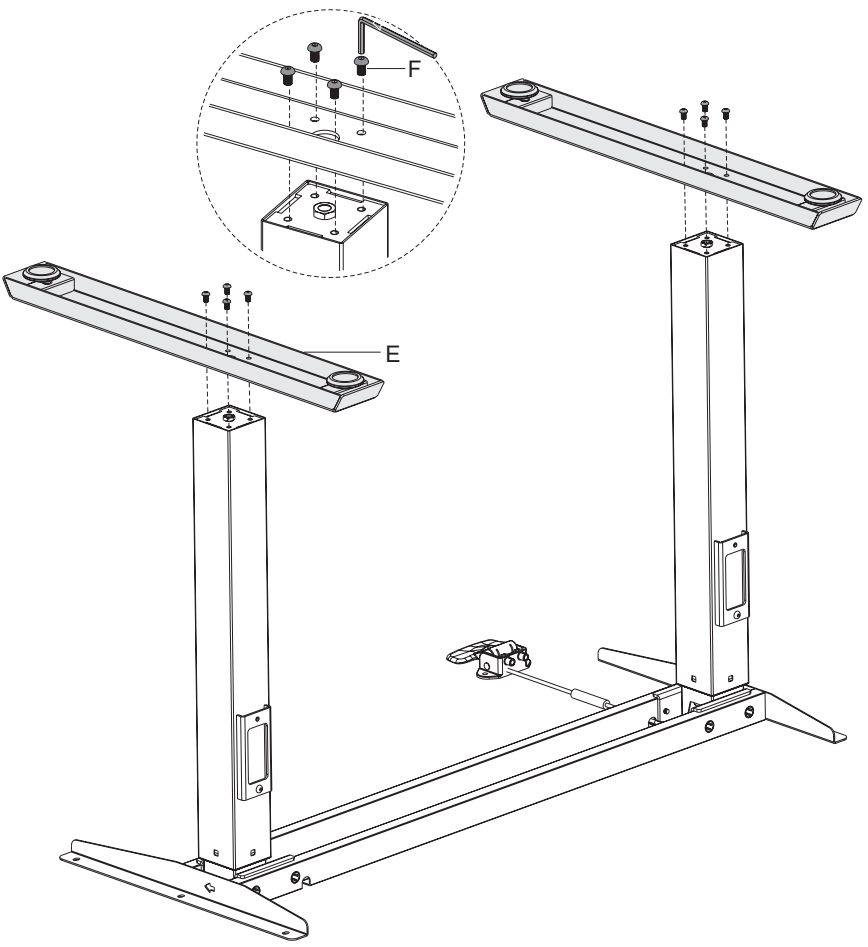
STEP 1

Place the support frame (C) upside down on a flat surface. Insert the column set (A) into the support frame as shown, and secure using eight M6x10 bolts (F) with the 4mm Allen wrench (H). The mounting plates on the columns should be facing towards the back of the frame (arrows on sides of frame indicate front).



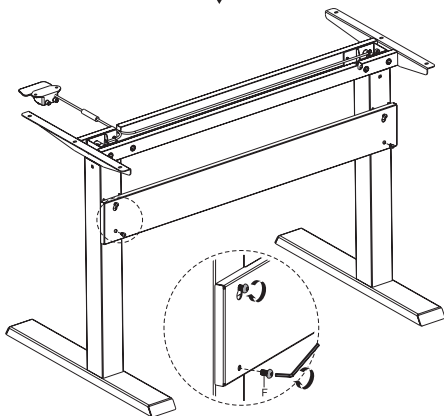
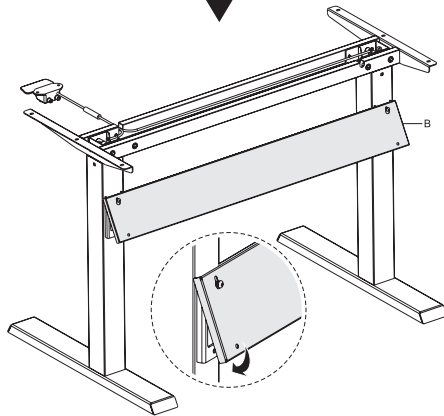
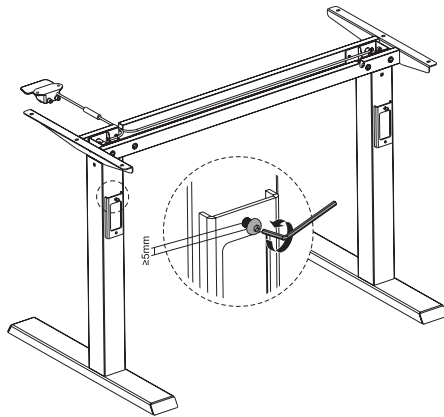
STEP 2

Assemble the feet (**E**) to the columns using M6x10 bolts (**F**), making sure the long ends of the feet are facing towards the front of the frame. Tighten with the Allen wrench (**H**).



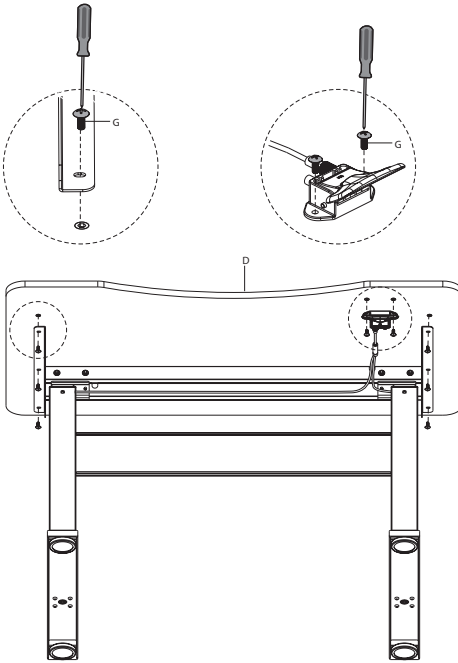
STEP 3

Loosen the bolts on the back of the columns so at least 5mm of thread is exposed. Hang the stabilizer bar (B) over the bolts and secure with M6x10 bolts (F). Tighten all bolts with the Allen wrench (H).



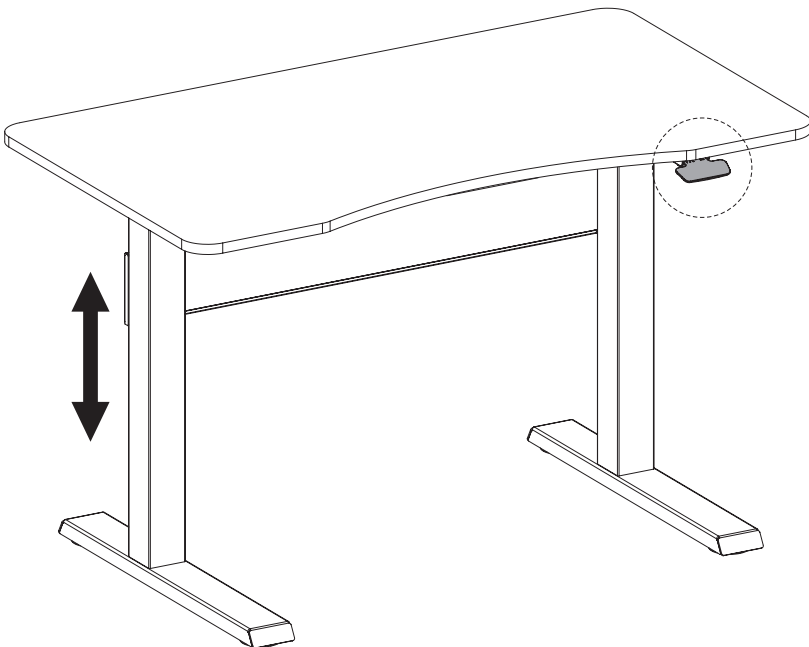
STEP 4

Place the desktop (**D**) on the assembled frame. Secure the desktop using M6x10 bolts with a Phillips screwdriver, then secure the release paddle using M6x14 bolts (**G**).



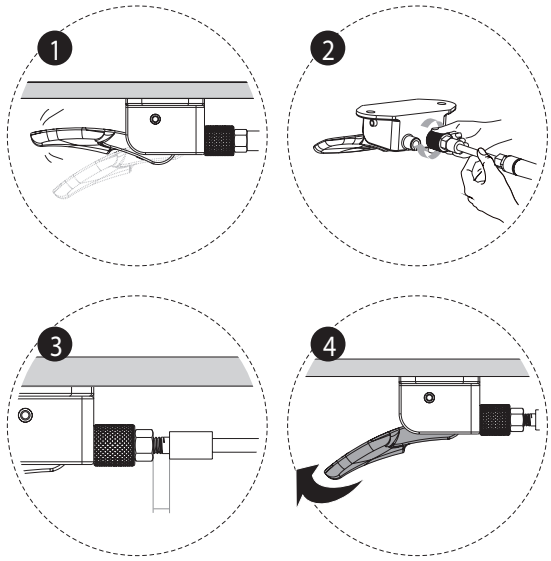
STEP 5

Lift the release paddle to raise or lower the desktop.



STEP 5 (Continued)

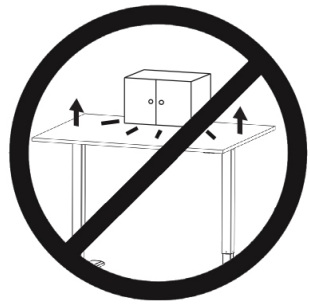
If the release paddle is loose, tighten the knob in back until the desk is able to adjust when the paddle is lifted. Tighten the nut against the knob to prevent the knob from loosening.



CAUTION!



Do not exceed desk weight limit.



Keep area of vertical motion free of obstacles.



Keep weight on desk balanced for correct operation and longer life of components.



Leave enough slack in cables to allow for full range of vertical motion.

Failure to follow these instructions may result in property damage and/or personal injury.



Open **Monday - Friday 7:00am - 7:00pm** CST,

our dedicated support team can offer immediate assistance with rapid response times. If any parts are received damaged or defective, please contact us. We are happy to replace parts to ensure you have a fully functioning product.


 help@vivo-us.com

AVG. RESPONSE TIME (*within office hrs*): **1HR 8M**

- 23% within < 15m
- 38% within < 30m
- 61% within < 1hr
- 83% within < 2hr
- 92% within < 3hr

 www.vivo-us.com
Chat live with an agent!

AVG. RESOLUTION TIME (*within office hrs*): **< 15 M**

 309-278-5303

AVG. RESOLUTION TIME (*within office hrs*): **5M 4S**