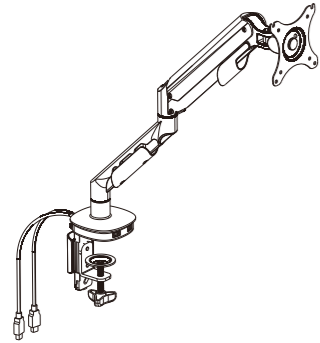


Item No.: Q7

Installation guide



Loctek

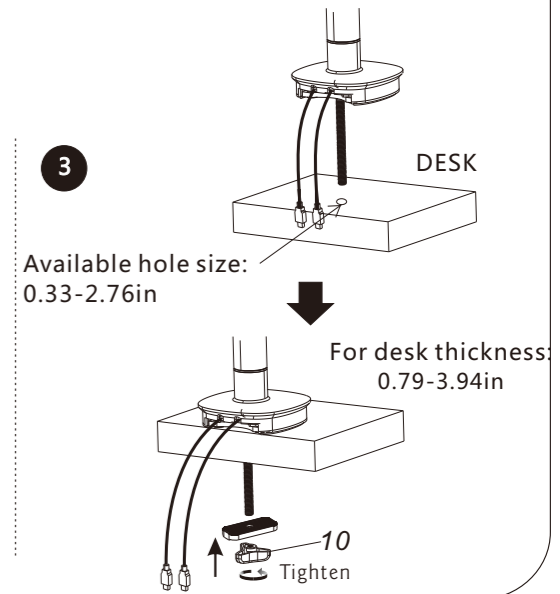
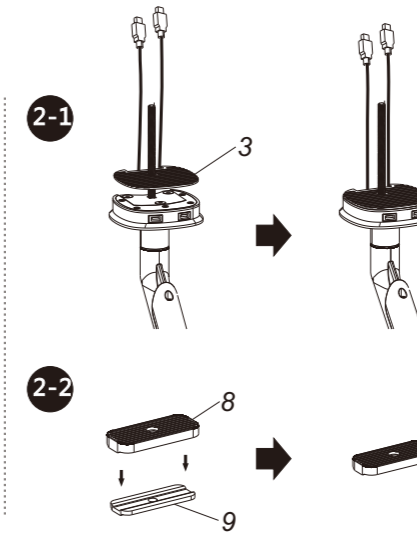
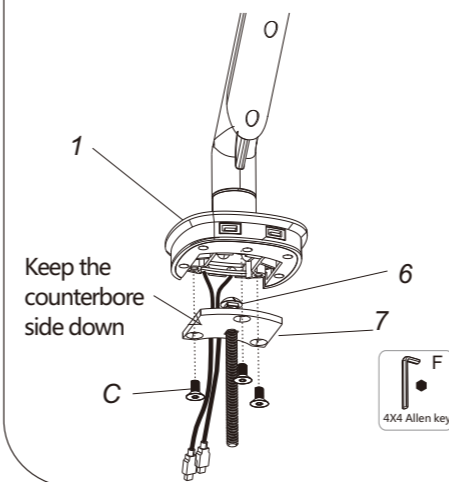
M4x0.47in A (4PCS) M5x0.47in B (4PCS) M6x0.47in C (3PCS) Ø6.5xØ13x2 D (8PCS) M6 Box wrench E (1PCS) 4X4 Allen key F (1PCS) 5x5 Allen key G (1PCS)

1.Arm connector
2.Clamp support 1
3.Anti-slip rubber
4.Anti-slip rubber
5.cable cover
6.Grommet support 2 -screw
7.Grommet support 2
8.Anti-slip rubber
9.Grommet support 2-washer
10.Grommet support 2-Knob



STEP2-B

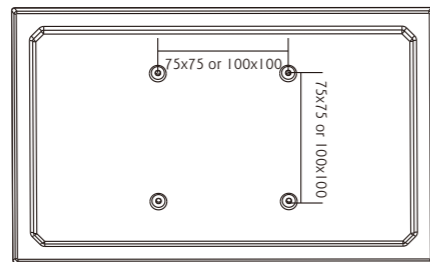
Option 2: Grommet



STEP1

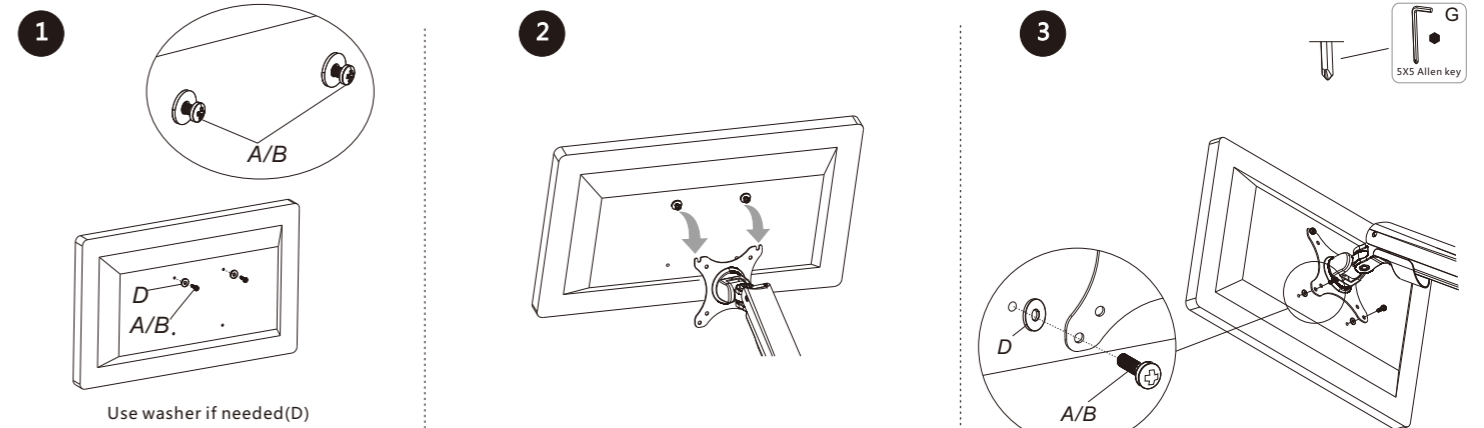
Preparations before installing monitor

1. Make sure there are VESA holes 100x100mm or 75x75mm in the monitor. If not, the mount couldn't be installed.
2. Remove the original fixed base of monitor. Be careful not to scratch the screen.



STEP3

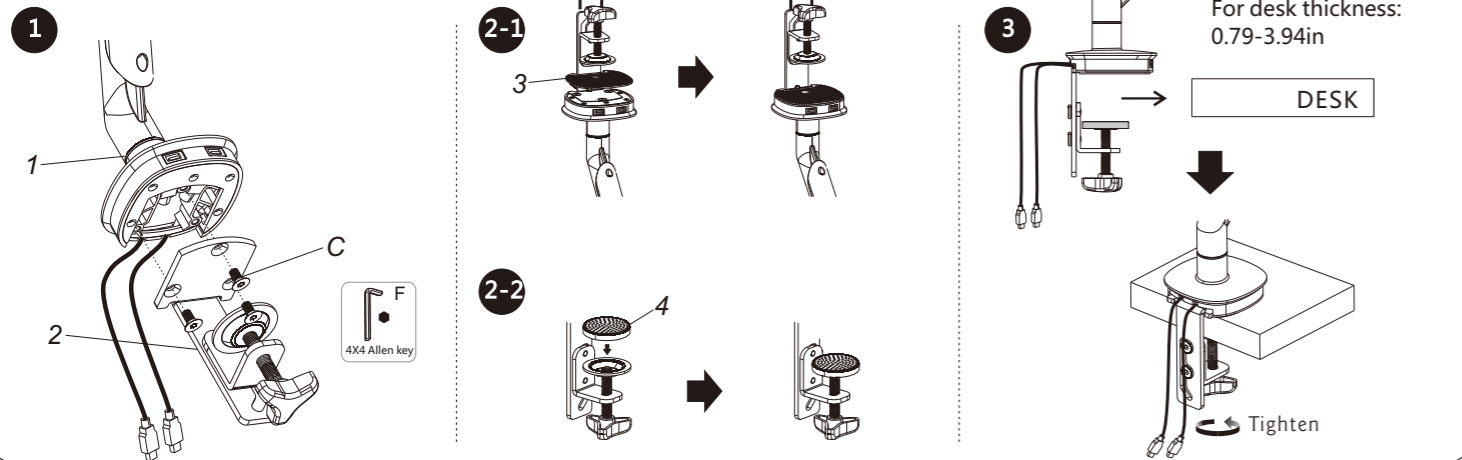
Install the monitor to the plate



Use washer if needed(D)

STEP2-A

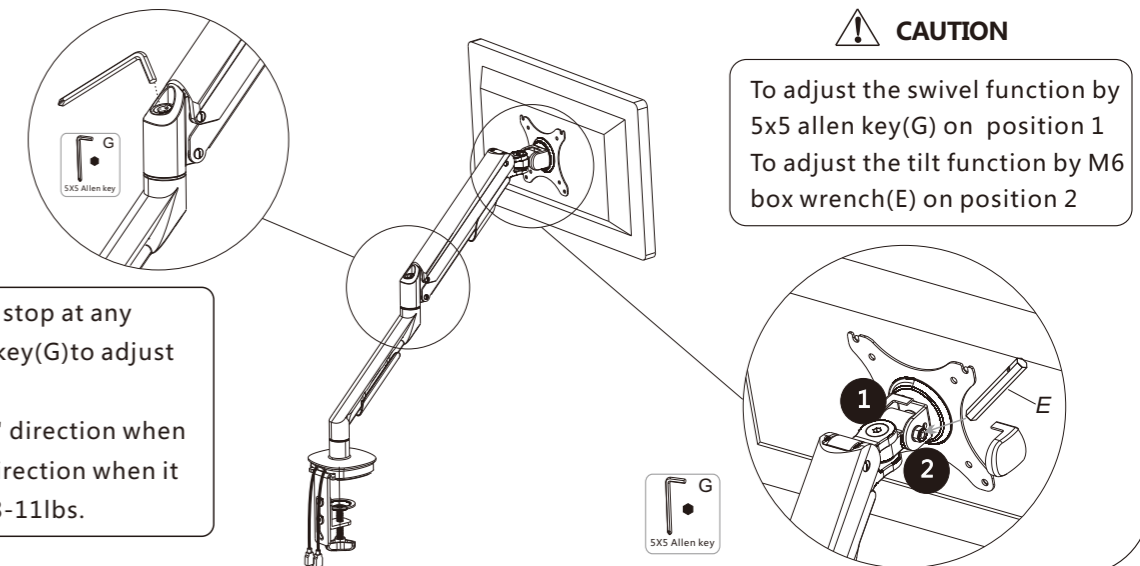
Option 1: Clamp



STEP4

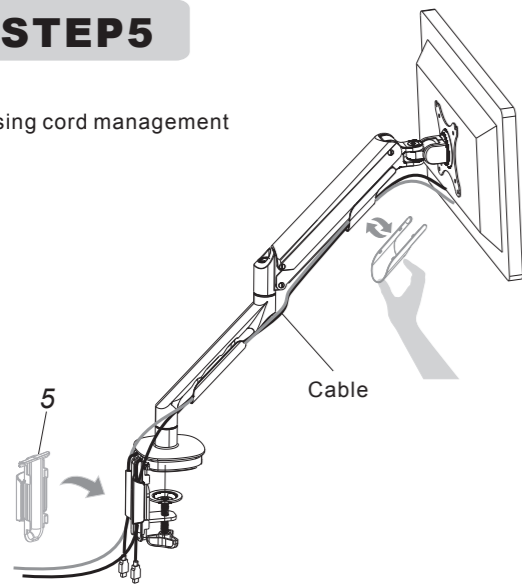
Adjust the monitor

▲ If the monitor cannot stop at any height, pls use 5x5 allen key(G) to adjust the screw on the arm.
Pls adjust the screw in "-" direction when the monitor up and "+" direction when it down
Factory setting: 8.8-11lbs.

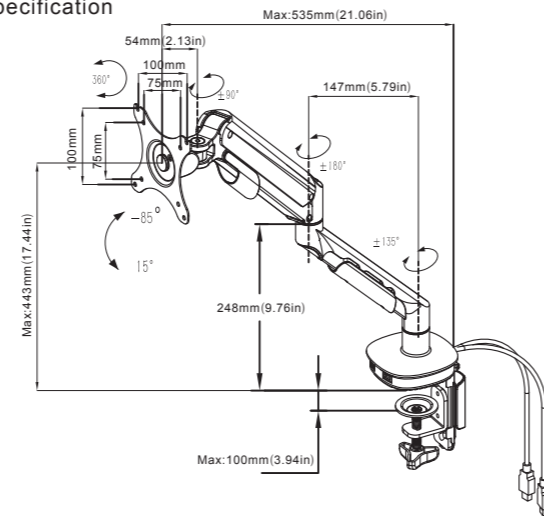


STEP 5

Using cord management



Specification



CAUTION

This product contains small items that could be a choking hazard if swallowed. Keep these items away from young children.

- Make sure these instructions are read and completely understood before attempting installation. If you are unsure of any part of this installation, please contact a professional installer for assistance.
- The desk or mounting surface must be capable of supporting the combined weight of the mount and the display, otherwise the structure must be reinforced.
- Safety gear and proper tools must be used. A minimum of two people are required for this installation. Failure to use safety gear can result in property damage, serious injury or death.
- Please check joint parts every two months, making sure the screws are loosened or not.

This product was designed to be installed on desk. Before installing, make sure the mount will support the combined load of the equipment and hardware. Never exceed the maximum load capacity 19.8lbs, or else it may result in product failure or personal injury.

Note: this product is intended for indoor use only. Use of this product outdoors could lead to product failure or personal injury.

Warning: This product contains high pressure gas spring parts, please do not put it into fire, high temperature, or disassemble it, which will lead to unexpected personal injury. The obsolete products can be sent back to the manufacturer or handed over to professional institutions.

To ensure the sealing performance of the gas spring, it is suggested to have complete adjustment to the upper arm (with spring) one time or several times every month.

LOCTEK INC.

ADDRESS: 6475 Las Positas Rd. Suite A. Livermore, CA 94551 United States

4290 Concorde Rd, Memphis, TN 38118 United States

TEL: 1-855-421-2808

Facebook: Loctek

Twitter: LoctekOfficial

Website: www.loctek.us

www.pricedepot.com

LOCTEK ERGONOMIC TECHNOLOGY CORP. (Manufacturer)

ADDRESS: No. 588 Qihang South Road, Binhai Industrial Zone, Yinzhou District, Ningbo China

Website: www.loctek.com