



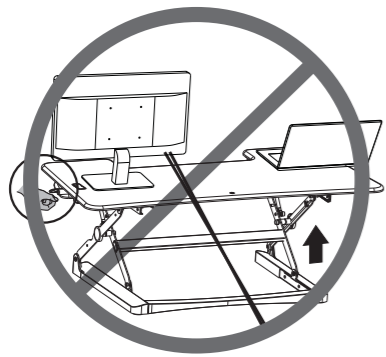
Do not place your hands near the strut during adjustment. The angle of the strut joints will change during the adjustment of the desktop height and it may hurt you.

Warning!



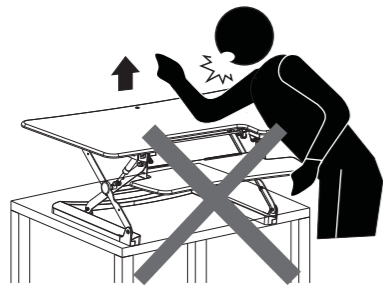
Please make sure all the devices are stably placed on the desktop. Do not exceed the edge of the desktop to prevent property damage or personal injury.

Caution!



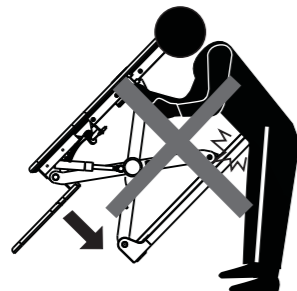
Do not tie the cable too tight. Allow the devices to move vertically to prevent property damage or personal injury.

Caution!



Lift the desktop to the top position before taking off the computer devices in order to prevent property damage or personal injury.

Warning!



The product must be moved by at least two people to avoid collision of moving parts and prevent property damage or personal injury.

Warning!

LOCTEK INC.

Address: 6475 Las Positas Rd, Livermore, CA 94551 United States

4290 Concorde Rd, Memphis, TN 38118 United States

Tel: 1-855-421-2808

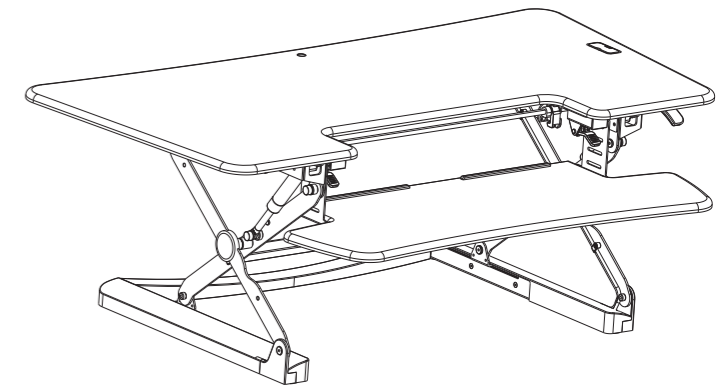
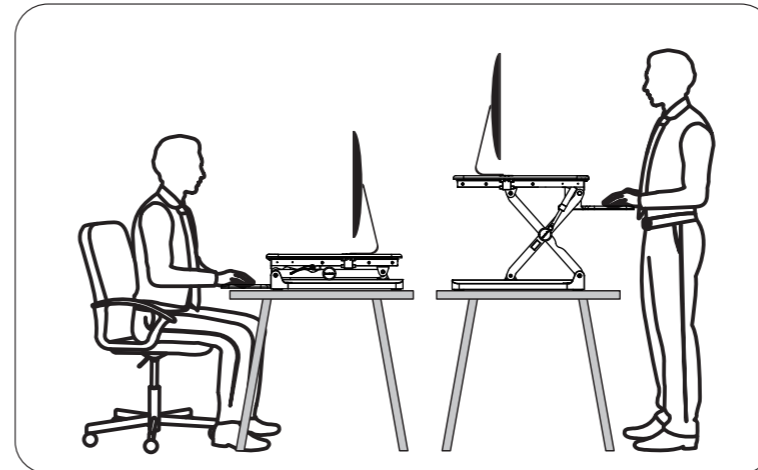
Website: www.loctek.us

Loctek®

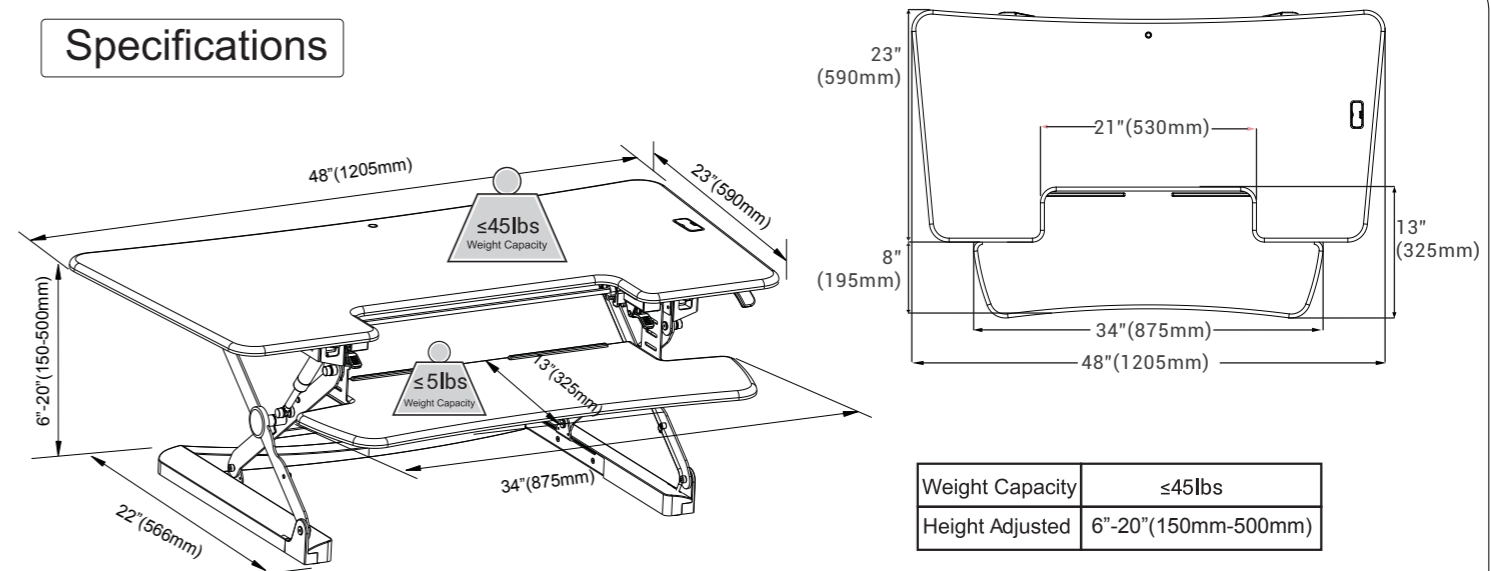
— ERGONOMIC —

Model No.: LX48

Installation Guide

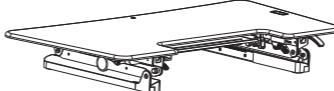






Specifications

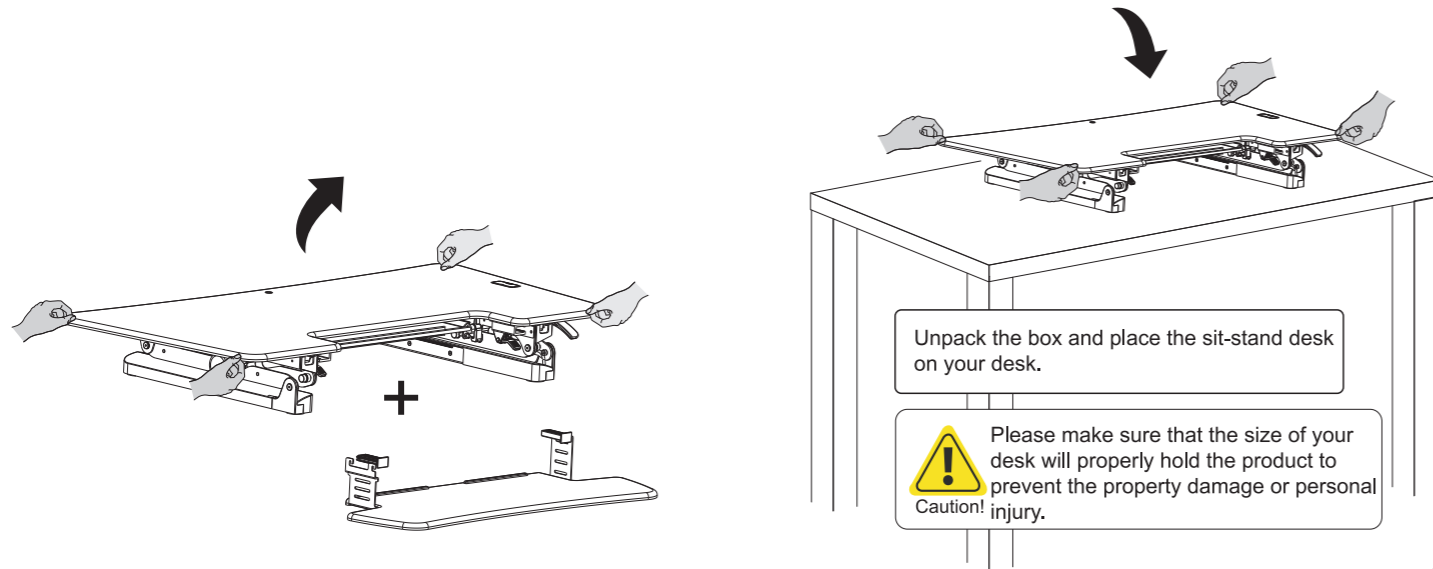


Parts Included



A	B	C
Desktop 	Keyboard Tray  x1	Cable Ties  x4
Decorative Covers  x2	Cable Organizer  x1	

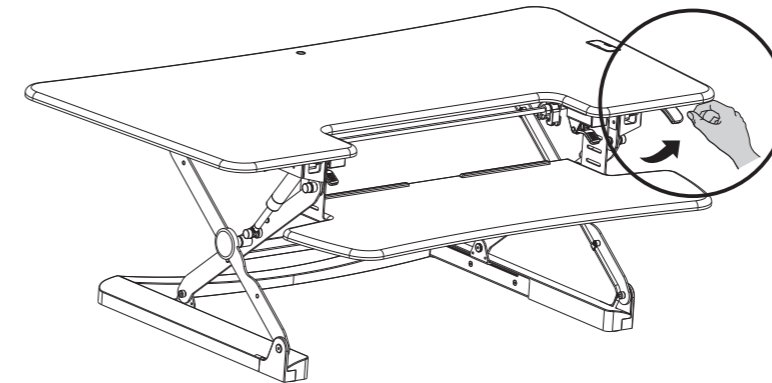
Step 1



Unpack the box and place the sit-stand desk on your desk.

Caution! Please make sure that the size of your desk will properly hold the product to prevent the property damage or personal injury.

Step 3

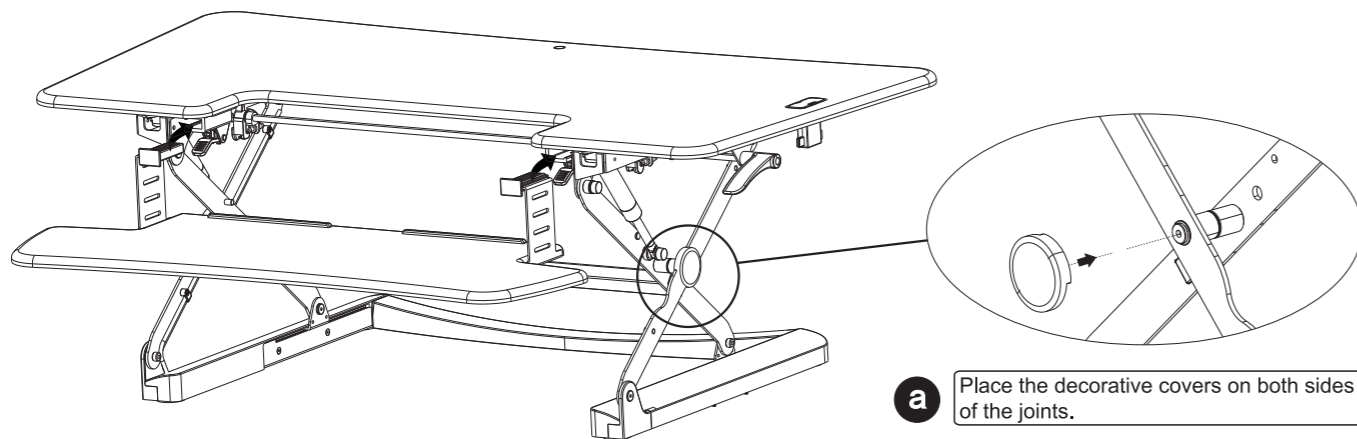


Place your hands on the side of the desktop and squeeze the handle upward to adjust the height according to your needs.



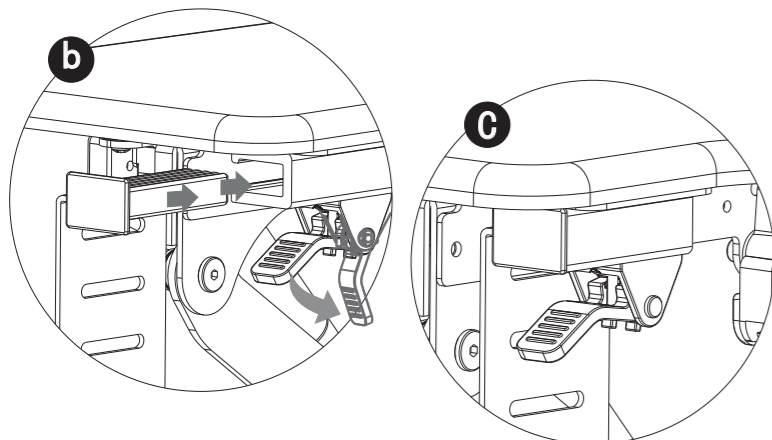
Caution! Do not place your hands near the strut during adjustment. The angle of the strut joints will change during the adjustment of the desktop height and it may hurt you.

Step 2

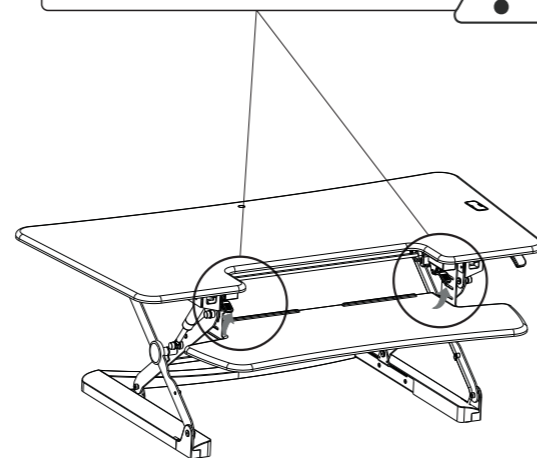


a Place the decorative covers on both sides of the joints.

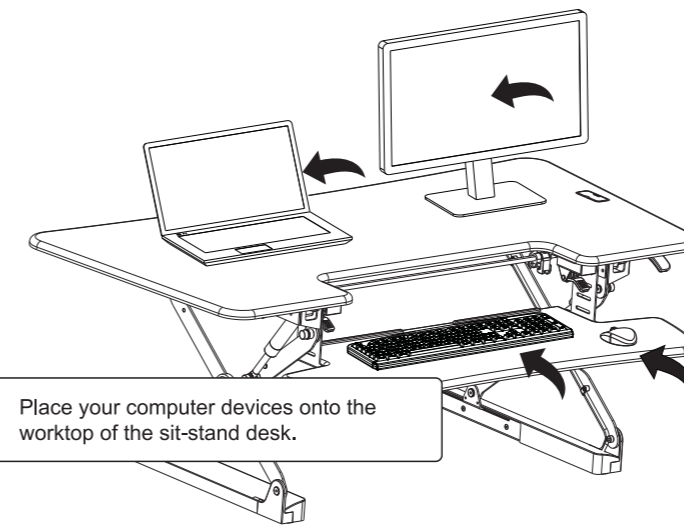
Install the connecting plates to the corresponding slide, and lock the levers.



To remove the keyboard tray, unlock the levers. **!**



Step 4

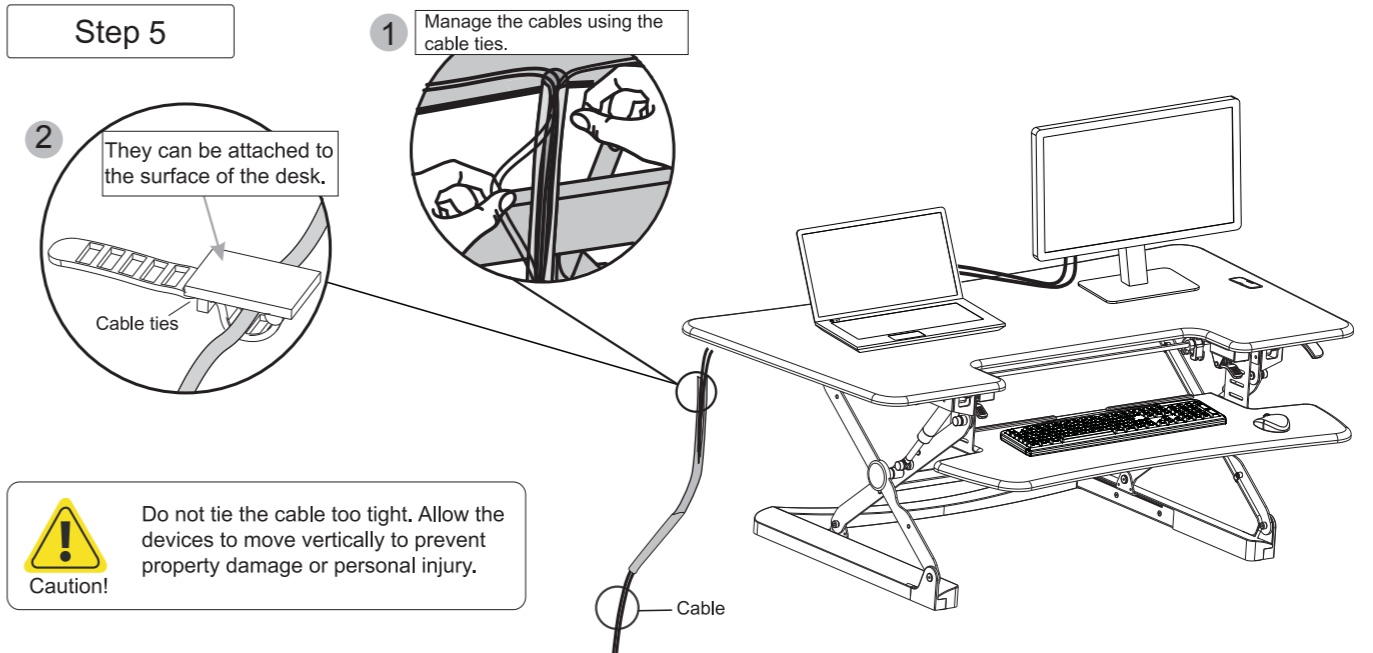


Place your computer devices onto the worktop of the sit-stand desk.



Caution! Please make sure all the devices are stably placed on the desktop. Do not exceed the edge of the desktop to prevent property damage or personal injury.

Step 5



1 Manage the cables using the cable ties.

2 They can be attached to the surface of the desk.



Caution! Do not tie the cable too tight. Allow the devices to move vertically to prevent property damage or personal injury.

Cable