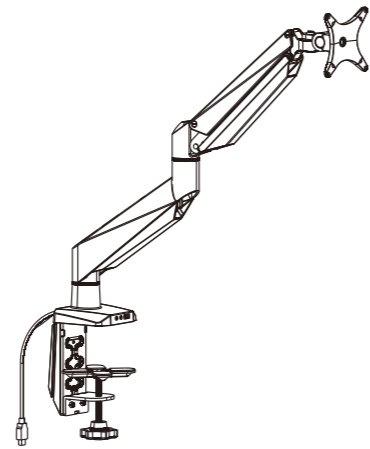
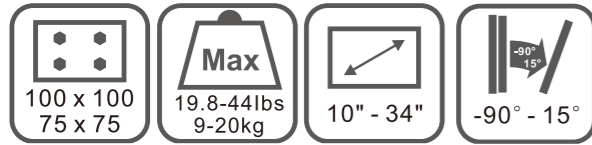


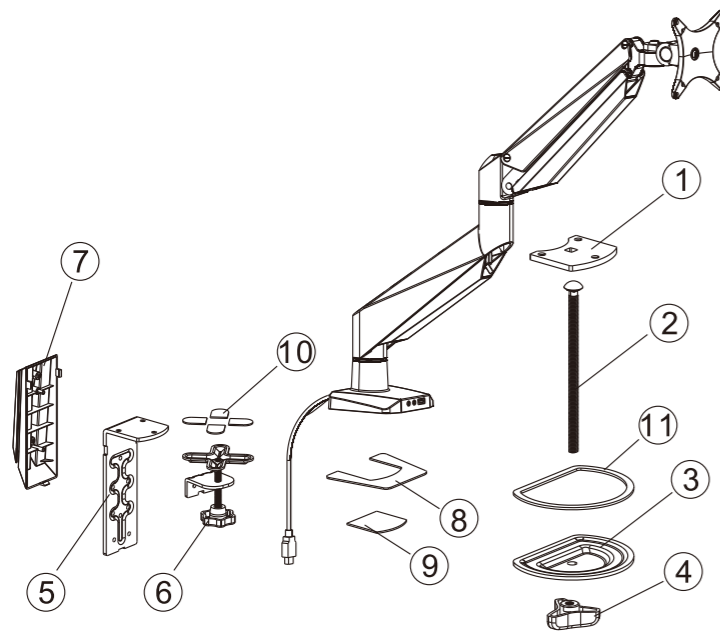
**Item No. D7H**

Installation Guide











**Package Contents**

**(A) Parts Included:**

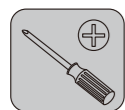


- ① Bottom support 1 x1
- ② Screw x1
- ③ Pressure plate x1
- ④ Knob nut x1
- ⑤ Bottom support 2 x1
- ⑥ Clamp Knob x1
- ⑦ Cable cover x1
- ⑧ Anti-slip rubber 1 x1
- ⑨ Anti-slip rubber 2 x1
- ⑩ Anti-slip rubber 3 x4
- ⑪ Washer x1

**(B) Screw Set and Tools**

- |  |  |  |  |  |  |
|--|--|--|--|--|--|
| A.  | B.  | C.  | D.  | E.  | F.  |
| M4 x12mm<br>(4 PCS)  | M5 x12mm<br>(4 PCS)  | M6 x12mm<br>(3 PCS)  | M6 x14mm<br>(2 PCS)  | 6.5 x13 x 2.0<br>washer<br>(8 PCS)   | 4 x 4 Hex key<br>(1 PC)  |
| G.  | H.  |  |  |  |  |
| 5 x 5 Hex key<br>(1 PC)  | 6 x 6 Hex key<br>(1 PC)  |  |  |  |  |

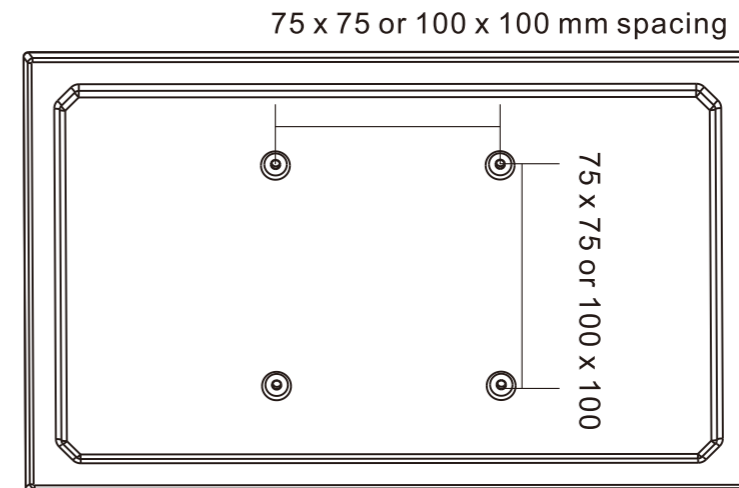
**(C) Tools Needed for Assembly**



**Installation Steps**

**STEP 1: Preparations before installing monitor**

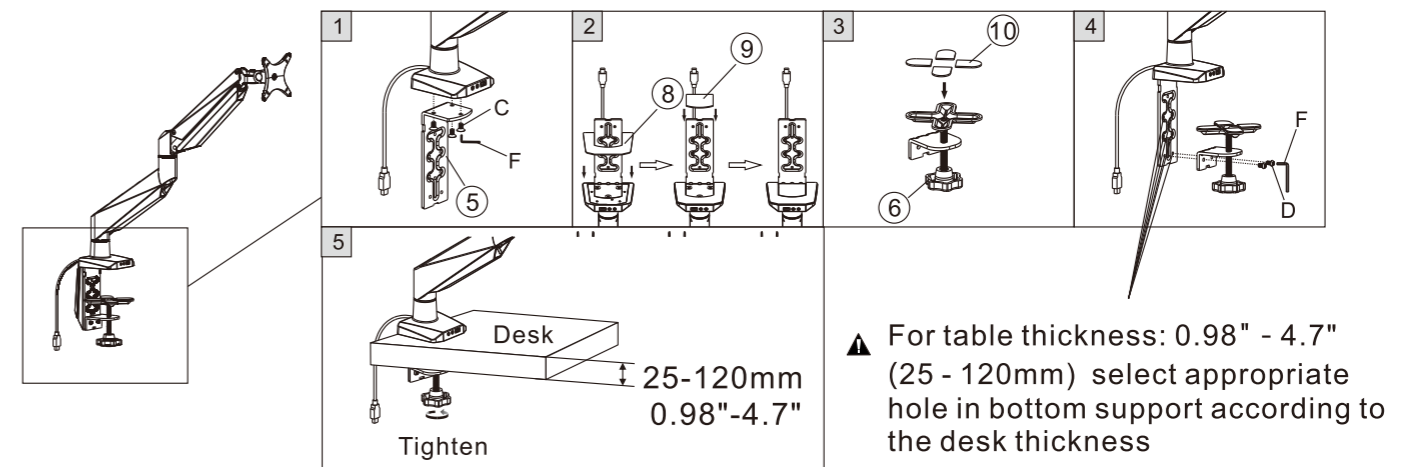
1. Verify that the monitor has holes at VESA spacings, either 100 x 100mm or 75 x 75mm. If it does not have this pattern, the mount cannot be installed.
2. Remove the monitor's original fixed base. Be careful not to scratch the screen.



**STEP 2 - Option A: Install bracket on desk using clamp**

This option is for desks without a grommet hole.

1. Attach the bottom support 2 (5) to the tube by tightening screws (C) with 4 x 4 mm hex key (F).
2. Turn the mount upside-down and put anti-slip rubber 1 (8) and anti-slip rubber 2 (9) onto the bottom support 2 (5)
3. Put anti-slip rubber 2 (10) onto the top of knob (6).
4. Attach the knob (6) to the bottom support 2 (5) using M6 x14 mm screw (D). See note below on selecting the correct screw hole.
5. Position the bottom clamp against desk surface and fully tighten clamp knob (6).

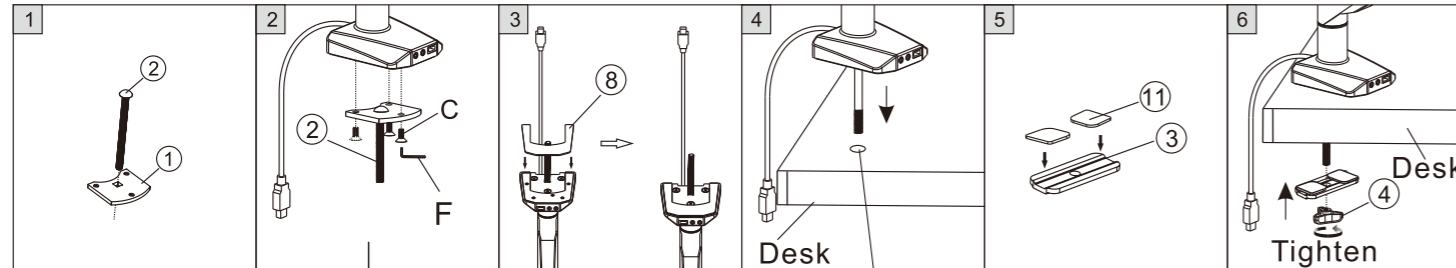


## STEP 2 - Option B: Install bracket using screw through hole in desk

This option is for desks with a grommet hole.

1. Insert the screw (2) into the hole of the bottom support 1 (1)
2. Attach the bottom support 1 (1) to the base by tightening screws (C) with 4 x 4 mm hex key (F).
3. Turn the mount upside-down and put anti-slip rubber 1 (8) and anti-slip rubber 2 (9) onto the bottom support 1 (1).
4. Insert the bottom support into the desk hole.
5. Attach anti-slip rubber 3 (11) onto the washer (3).
6. Screw in the washer with the butterfly knob (4).

▲ For table thickness: 0.98" - 4.7"  
(25 - 120mm)

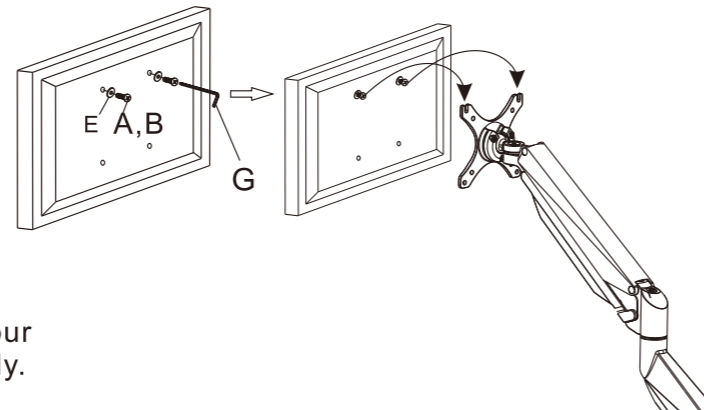


Keep the screw  
side pointing down

Size of the hole:  
0.33" - 2.76" (8.5 - 70mm)

## STEP 3: Attach monitor to arm plate

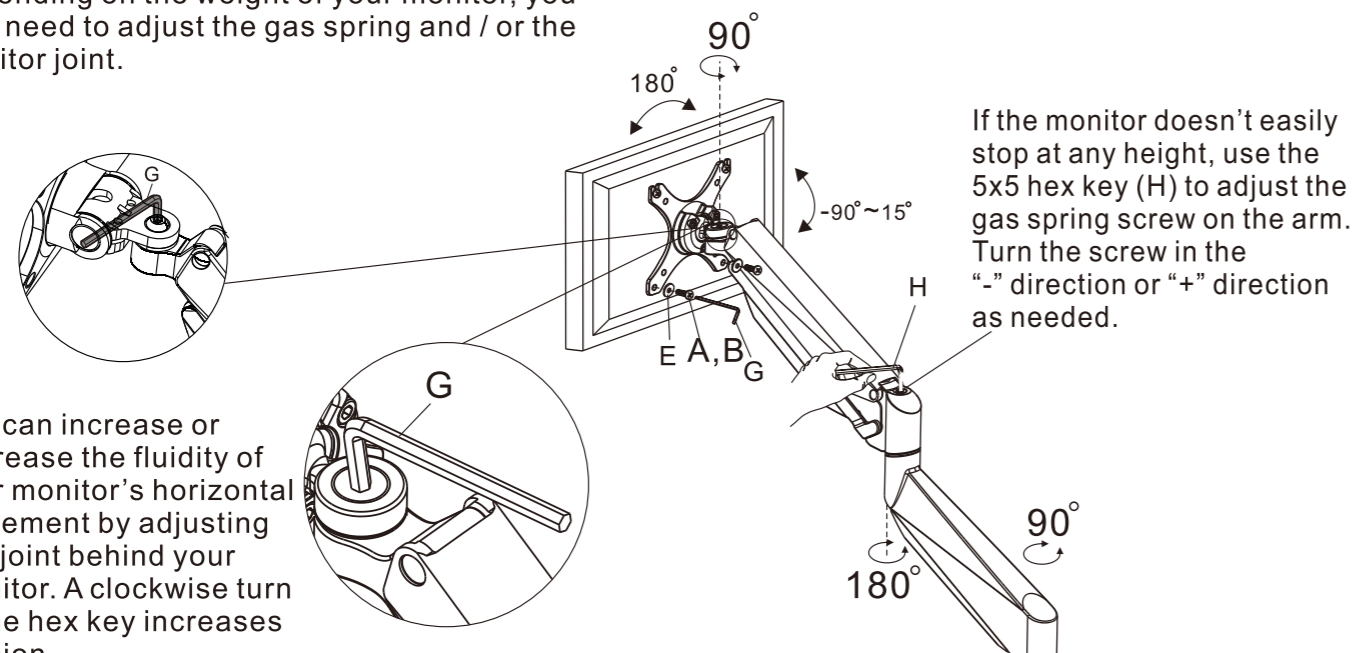
1. Add washers (E) to appropriate screws (A or B) – depending on monitor hole size.
2. Attach monitor to arm using the screws (A or B). For 100 x 100mm VESA holes, first attach top screws to monitor and set monitor into top grooves of monitor plate (2).
3. Then add bottom screws through monitor plate and securely tighten all four screws.



Note: For 75mm x 75mm VESA holes attach all four screws through monitor plate and tighten securely.

## STEP 4: Adjust arm to balance your monitor

Depending on the weight of your monitor, you may need to adjust the gas spring and / or the monitor joint.

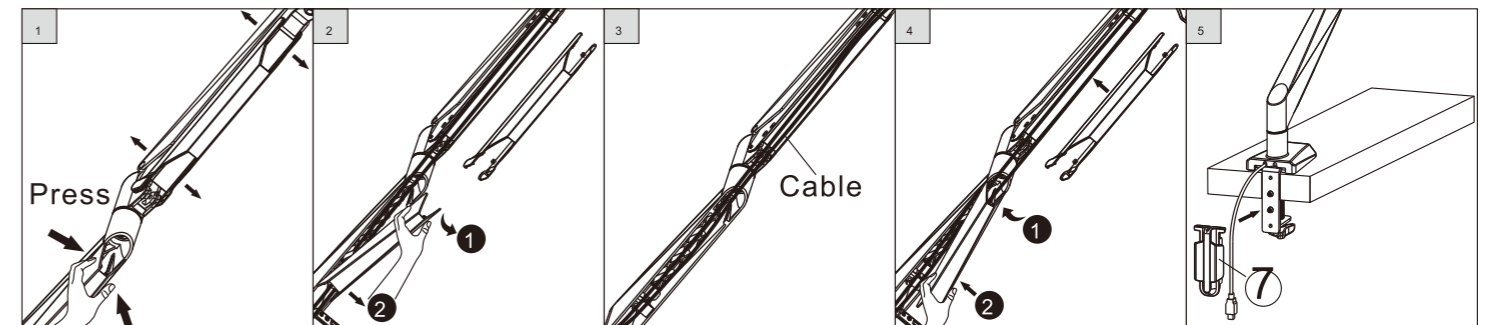


You can increase or decrease the fluidity of your monitor's horizontal movement by adjusting this joint behind your monitor. A clockwise turn of the hex key increases tension.

If the monitor doesn't easily stop at any height, use the 5x5 hex key (H) to adjust the gas spring screw on the arm. Turn the screw in the "-" direction or "+" direction as needed.

## STEP 5: Using cable management system

Slide cables through the underside of the arm, removing plastic cable guides if necessary. (Press both sides to remove guides.)  
Next, pass the cable along the slot in cable cover (7) and place cable cover around bottom support 2 (5).



## CAUTION

This product contains small items that could be a choking hazard if swallowed. Keep these items away from young children.

- Make sure these instructions are read and completely understood before attempting installation. If you are unsure of any part of this installation, please contact a professional installer for assistance.
- The desk or mounting surface must be capable of supporting the combined weight of the mount and the monitor, otherwise the structure must be reinforced.
- Proper tools must be used. A minimum of two people are required for this installation. Failure to install properly can result in property damage.
- Check joint parts every two months, making sure the screws have not loosened.

This product was designed to be installed on a desk. Before installing, make sure the mount will support the combined load of the equipment and hardware. Never exceed the maximum load capacity 44 lbs (20 kg), or else it may result in product failure.

Note: This product is intended for indoor use only. Use of this product outdoors could lead to product failure.

### ZOXOU INC. (Distributor)

ADDRESS: 47618 Kato Road, Fremont, CA, 94538 United States  
TEL: 1-855-421-2808  
Facebook: Loctek  
Twitter: LoctekOfficial  
Website: [www.loctek.us](http://www.loctek.us)  
[www.pricedepot.com](http://www.pricedepot.com)

### LOCTEK VISUAL TECHNOLOGY CORP (Manufacturer)

ADDRESS: No. 588 Qihang South Road, Binhai Industrial Zone, Yinzhou District, Ningbo China  
Website: [www.loctek.com](http://www.loctek.com)

