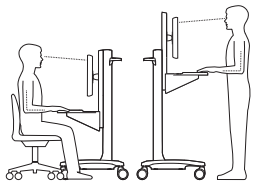
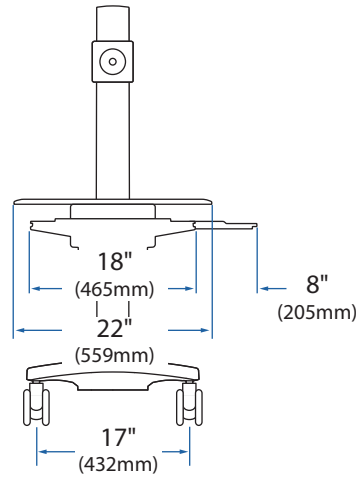
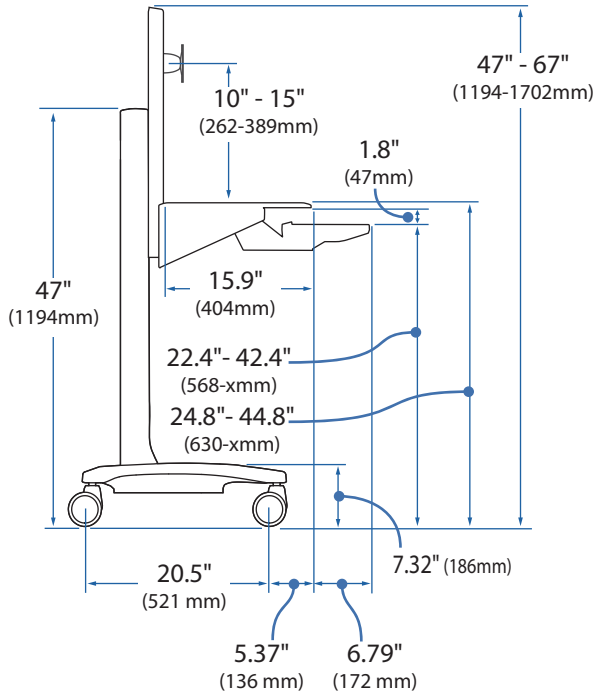
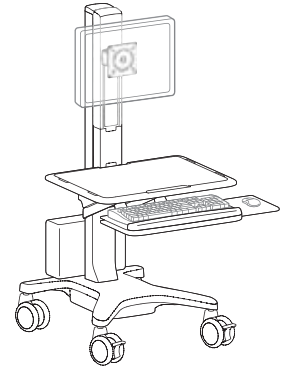


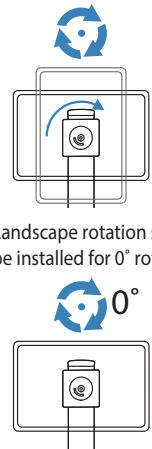
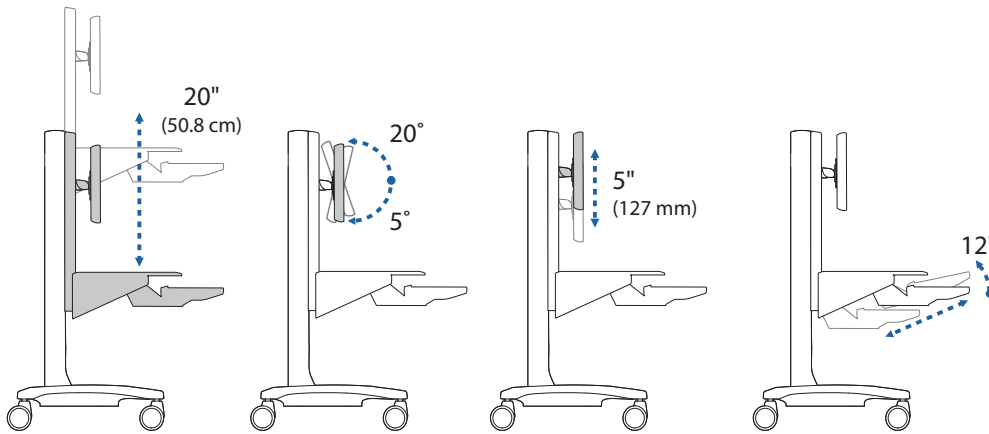
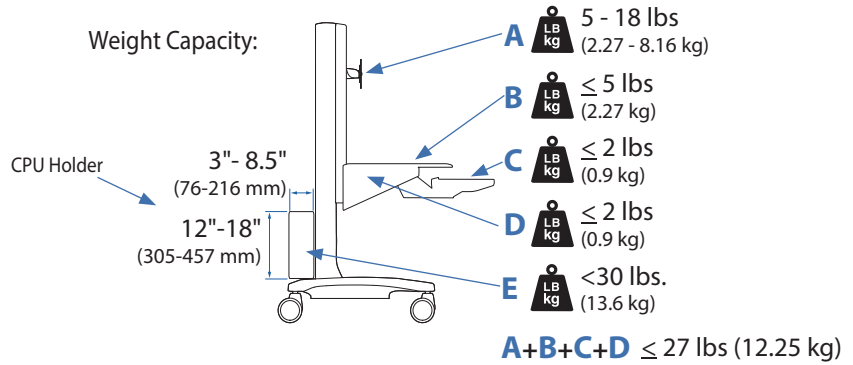
Ergotron®

WorkFit-C Single LCD Mount, LD

Dimensional & Range of Motion Illustrations



Weight Capacity:



Portrait/Landscape rotation stop screw can be installed for 0° rotation.

© 2014 Ergotron, Inc. rev. 08/06/2014 DIM-WorkFitC-Mod Content is subject to change without notification

Americas Sales and Corporate Headquarters

St. Paul, MN USA
(800) 888-8458
+1-651-681-7600
www.ergotron.com
sales@ergotron.com

EMEA Sales

Amersfoort, The Netherlands
+31 33 45 45 600
www.ergotron.com
info.eu@ergotron.com

APAC Sale

Tokyo, Japan
www.ergotron.com
apaccustomerservice@ergotron.com

Worldwide OEM Sale:

www.ergotron.com
info.oem@ergotron.com

