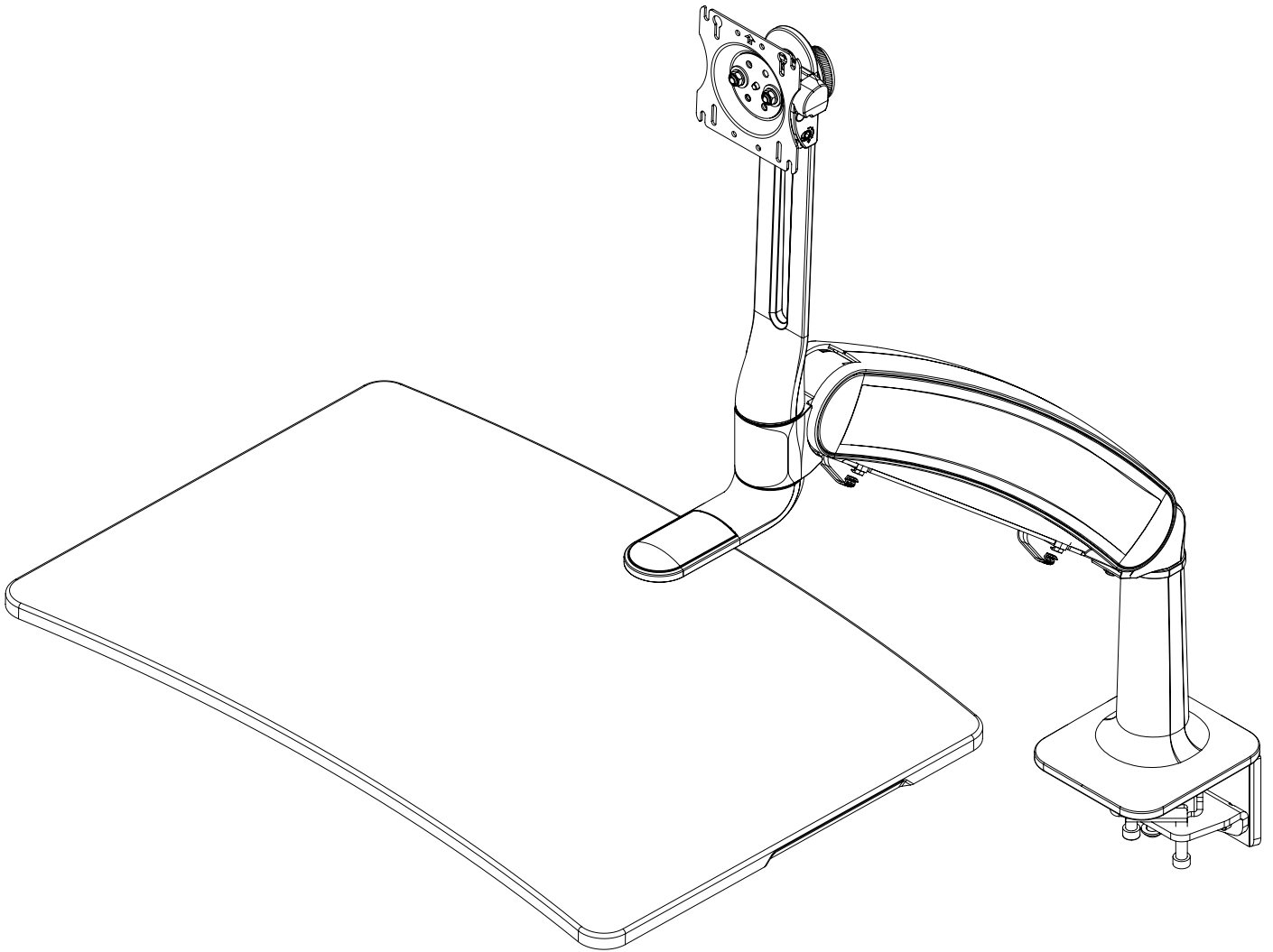


INSTALLATION MANUAL

FOR SIT-STAND WORKSTATION

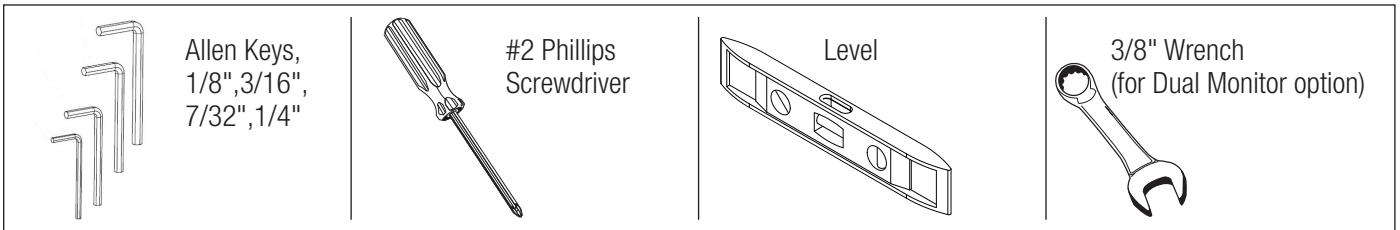


Weight Capacity: 6.5-24.5 lbs.

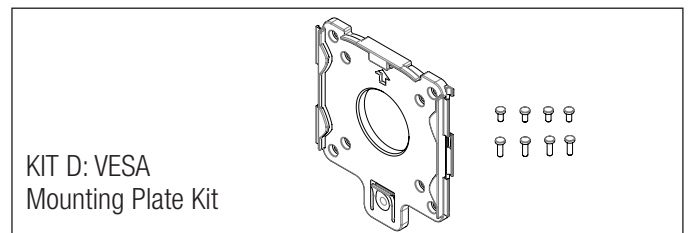
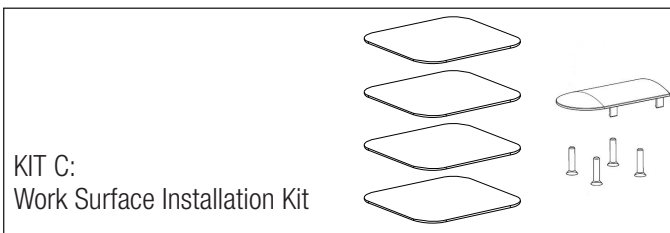
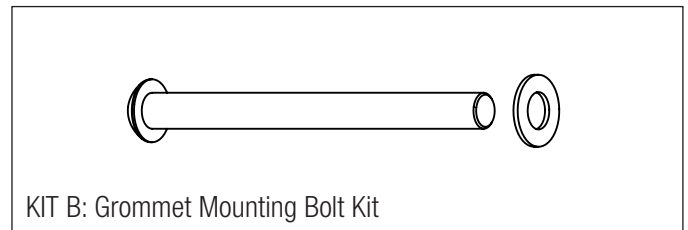
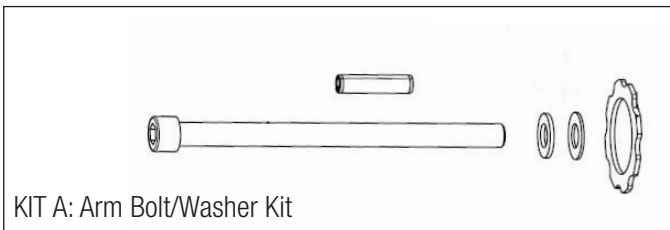
Contents

Tools Required / Supplied Part Kits / Warnings/Disclaimers.....	2	Installing Monitor.....	6
Base Installation		Cable Management Installation.....	7
Clamp Mount Base Location.....	3	Arm Counterbalance Adjustments.....	7
Grommet Mount Base Orientation.....	4	Tray Leveling Adjustments (Left to Right).....	8
Pivot Limiter Installation.....	5	Monitor Adjustments.....	8
Attaching the Arm to the Base.....	5	Monitor Tilt Tension Adjustment.....	8
Installing Work Surface.....	6		

Tools Required



Supplied Part Kits



Warnings/Disclaimers

INSTALLATION WARNINGS:

- Read the entire instruction manual before beginning any installation or assembly.
- The installer must verify that the attachment surface can safely support the combined weight of all the attached equipment and hardware.
- Improper installation of this product may cause extensive property damage or serious personal injury, either during or after installation.

DISCLAIMERS:

- The manufacturer will bear no responsibility for any damages of any kind arising from improper installation of this product.
- In no way will the manufacturer be held liable for any damage to the monitor, property or personal injury should an outside force either intentionally or unintentional be applied to the monitor or monitor mounting bracket

ADJUSTMENT NOTIFICATIONS:

- Routine maintenance checks and adjustments are suggested to properly support the quality and optimal performance of this product. Refer to adjustment suggestions on last page of booklet, or contact your distributor for further detailed information.
- Over tightening of bolts during installation or adjustments can damage the product and affect the function and warranty.

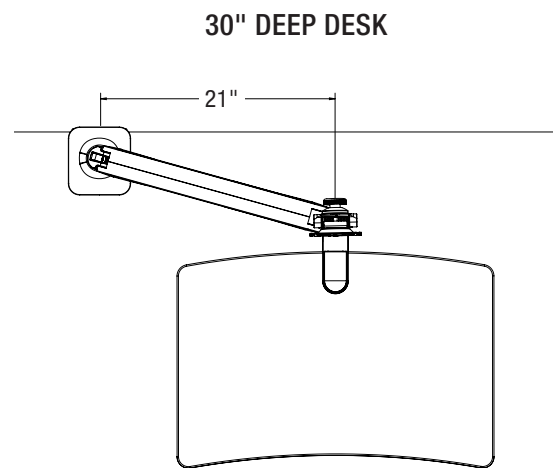
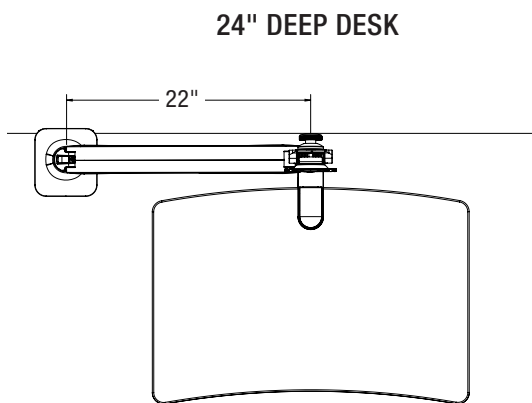
Base Installation

The unit can be installed on a 24" or 30" deep rectangular or corner desk using the integral desk clamp or grommet mounting hardware provided.

Clamp Mount Base Location

STEP 1

Determine desired installed tray location. Offset base location by 22" left or right for a 24" deep desk or 21" left or right for a 30" deep desk.

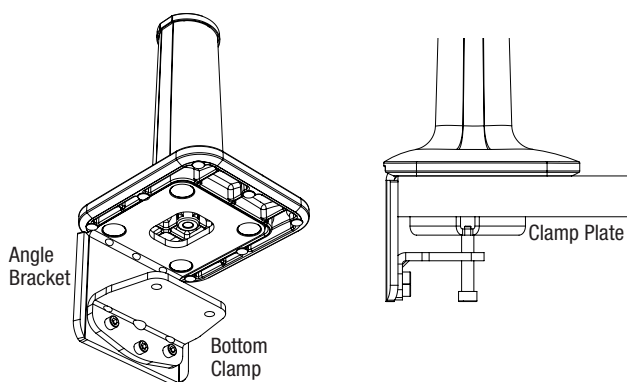


STEP 2

The thickness of the desk will determine the orientation of the bottom clamp. The product comes pre-configured for a 3/4" - 1 1/2" desk.

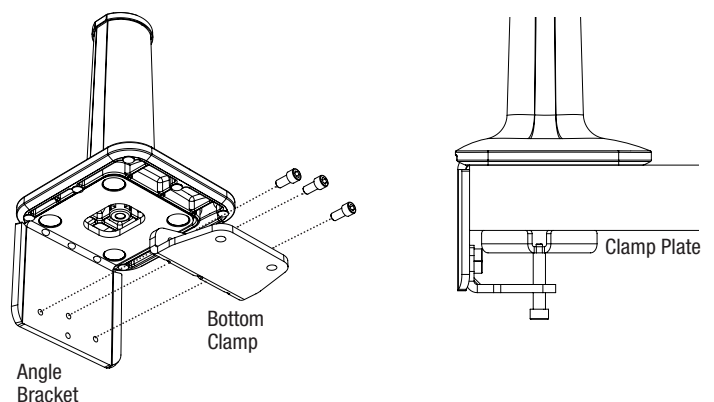
DESK THICKNESS - 3/4" - 1 1/2"

Bottom Clamp is UPWARD.



DESK THICKNESS - 1 1/2" - 2 1/2"

Bottom Clamp is DOWNWARD.



Slide the angle bracket assembly onto the back of the desk. Secure the clamp plate to the underside of the desk with the supplied bolts. Use a 7/32" Allen Key to tighten to 75 in-lbs.

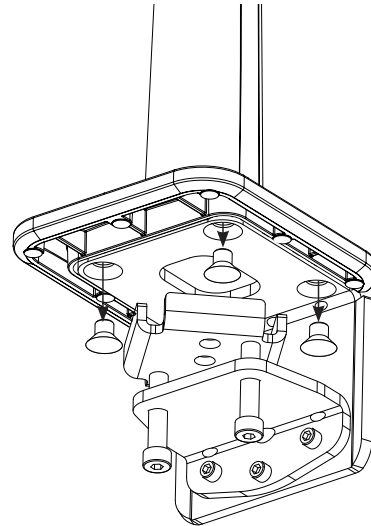
To reverse the bottom clamp, remove the three screws using a 3/16" Allen Key and reinstall the Bottom Clamp in the DOWNWARD position. Slide the angle bracket assembly onto the back of the desk. Secure the clamp plate to the underside of the desk with the supplied bolts. Use a 7/32" Allen Key to tighten to 75 in-lbs.

Grommet Mount Base Orientation

If installer is drilling their own hole, ensure that the diameter is a minimum of 1/2".

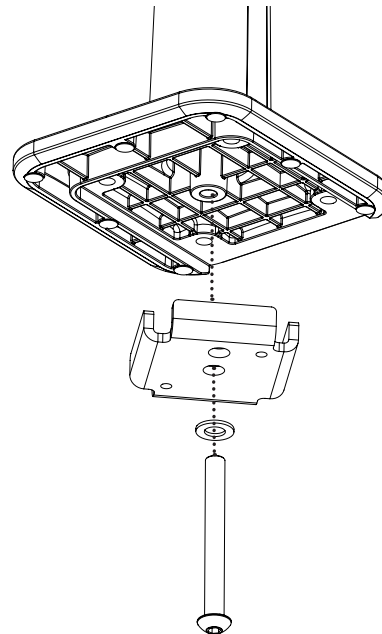
STEP 1

Detach the angle bracket assembly (not used in a grommet application) by removing the 4 screws with a 7/32" Allen Key.



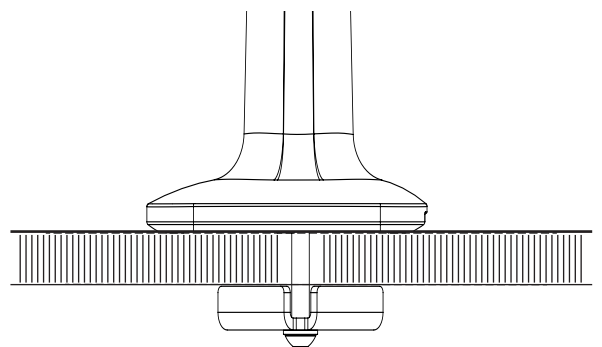
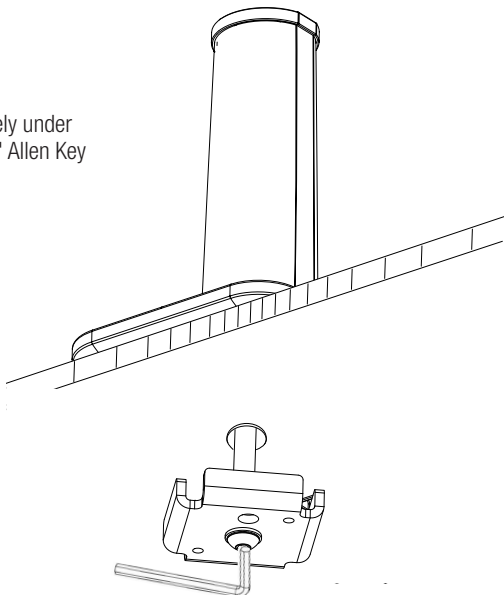
STEP 2

Insert the grommet bolt through the washer (**KIT B**: Grommet Mounting Bolt) and upward facing clamp plate. From under the desk insert the grommet bolt assembly through the desk into the center hole of the base.



STEP 3

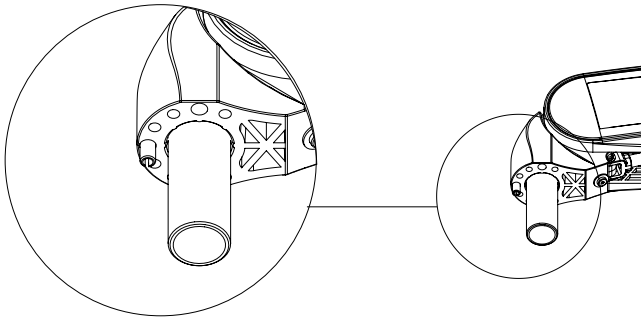
Tighten the bolt securely under the desk using a 7/32" Allen Key to 75 in-lbs.



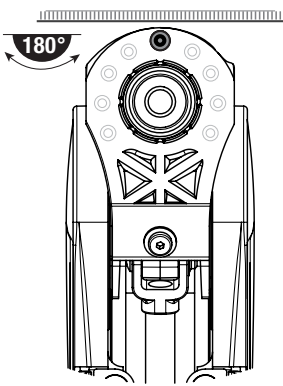
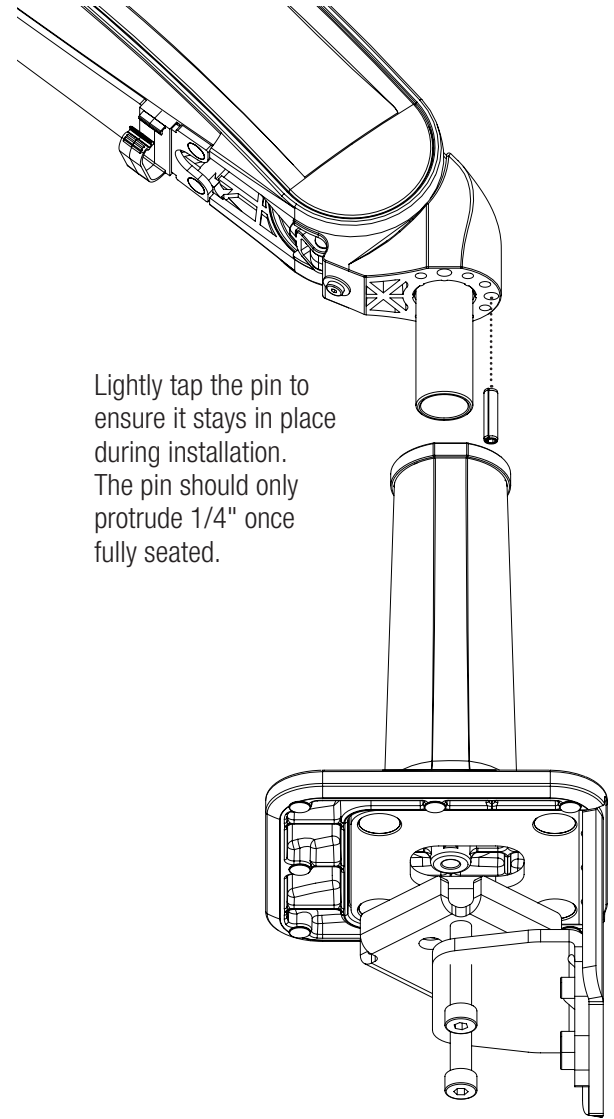
Pivot Limiter Installation

Make sure the pin remains engaged in the arm base when the arm is attached to the desk mount base.

PIVOT LIMITER VIEW FROM UNDERSIDE



Lightly tap the pin to ensure it stays in place during installation. The pin should only protrude 1/4" once fully seated.



ALLOWS 180° ROTATION

Position pin at 12:00 to prevent the arm from coming in direct contact with the wall on either side

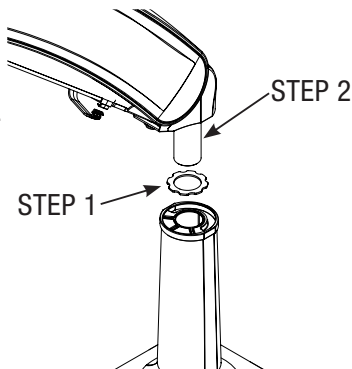
Attaching the Arm to the Base

With the base already installed on the desk.

NOTE: Ensure nylon bushing is on the arm post when inserting the arm into the base.

STEP 1

Slide the large nylon washer (KIT A: Arm Bolt/Washer Kit) over the bottom pin of the arm.



STEP 2

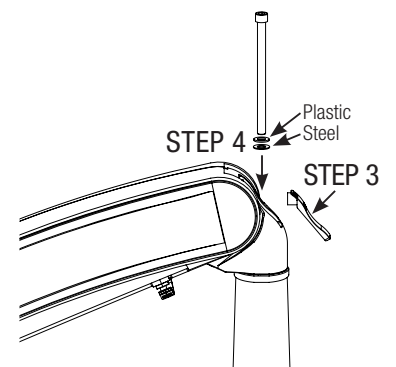
Set the main arm bottom pin into the base.

STEP 3

While holding the arm in the lowest position remove the trim cap at the back of the arm.

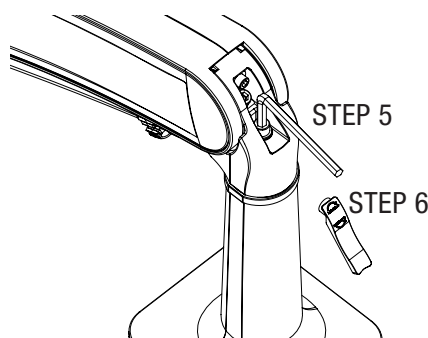
STEP 4

Hold the arm in the lowest position to prevent it from springing up, insert the bolt/washer assembly (KIT A: Arm Bolt/Washer Kit) through the back of the arm and into the base. Ensure the washers are installed as illustrated.



STEP 5

Keeping the arm down tighten the bolt with a 1/4" Allen Key until the bolt is seated and snug. Tighten or loosen bolt to obtain desired resistance for left to right arm movement.



STEP 6

Replace the trim cap at the back of the arm.



Do not overtighten bolt as this may cause damage to the product.

Installing Work Surface

The work surface can be mounted above or below the mounting plate.

BELOW THE MOUNTING PLATE

STEP 1

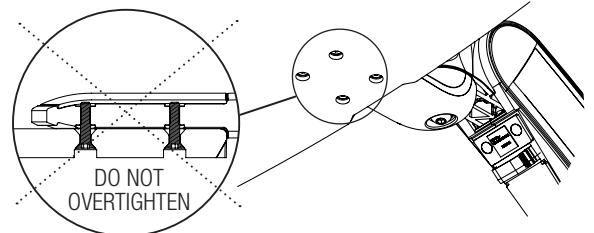
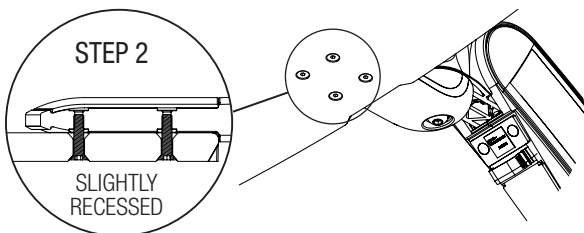
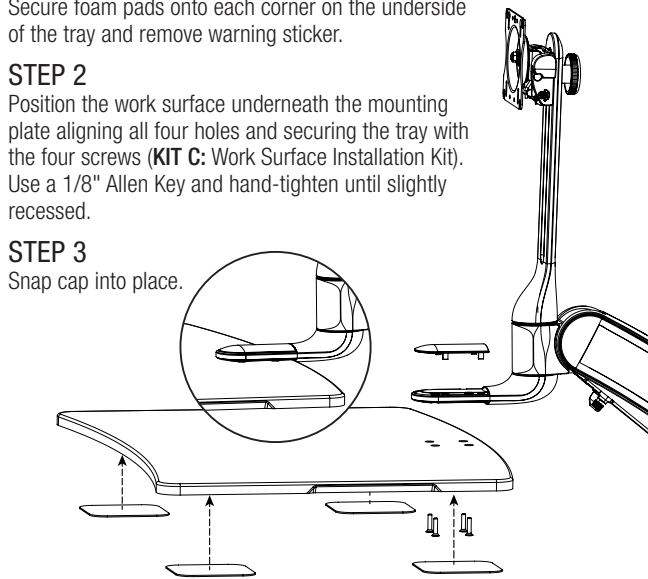
Secure foam pads onto each corner on the underside of the tray and remove warning sticker.

STEP 2

Position the work surface underneath the mounting plate aligning all four holes and securing the tray with the four screws (**KIT C: Work Surface Installation Kit**). Use a 1/8" Allen Key and hand-tighten until slightly recessed.

STEP 3

Snap cap into place.



ABOVE THE MOUNTING PLATE

STEP 1

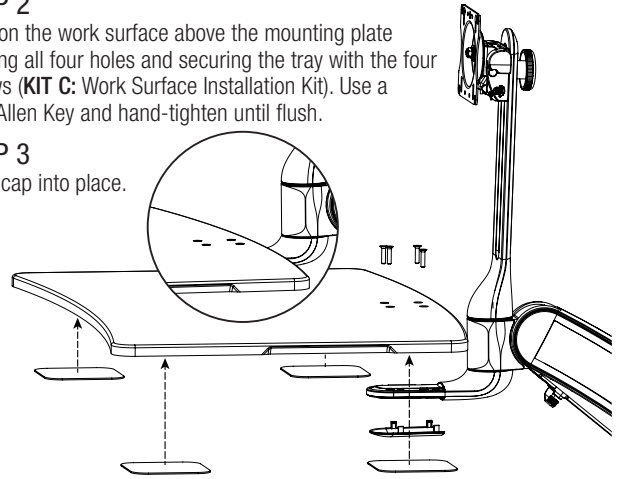
Secure foam pads onto each corner on the underside of the tray and remove warning sticker.

STEP 2

Position the work surface above the mounting plate aligning all four holes and securing the tray with the four screws (**KIT C: Work Surface Installation Kit**). Use a 1/8" Allen Key and hand-tighten until flush.

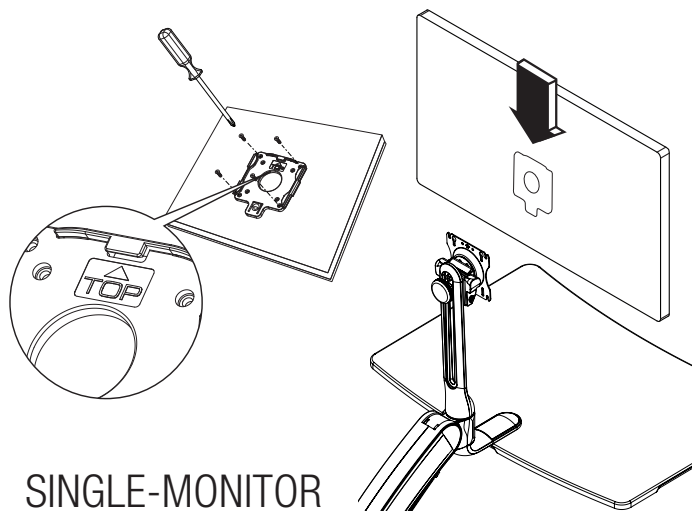
STEP 3

Snap cap into place.



Installing Monitor (6.5 lbs. to 24.5 lbs.)

For this step, the installer needs to determine if they wish to use the Quick Connect adapter supplied or mount the monitor directly to the VESA mount on the monitor tower.

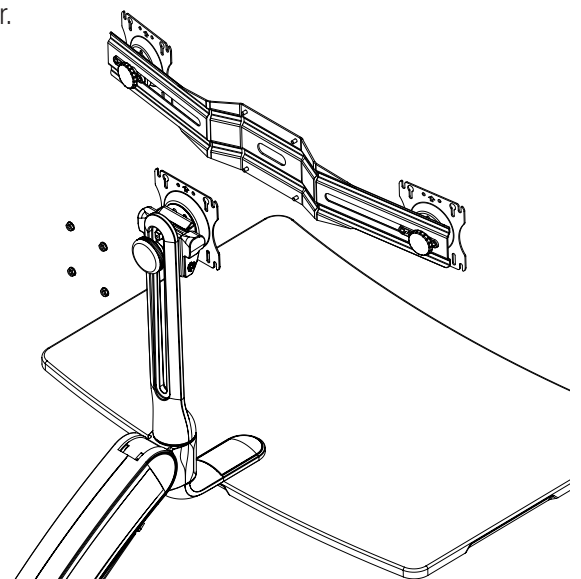


SINGLE-MONITOR

If using the Quick Connect adapter, mount the Quick Connect adapter (**Kit D: VESA Mounting Plate Kit**) to back of the monitor with the screws provided.

Use a #2 Phillips screwdriver to secure screws. Lift monitor into position and slide the Quick Connect onto the VESA.

If not using the Quick Connect adapter, mount the monitor directly to the VESA mount on the monitor tower with the screws provided. Use a #2 Phillips screwdriver to secure.



DUAL-MONITOR (Optional Dual Monitor Kit)

Attach the dual bracket to the monitor tower VESA with the hardware provided in the Dual Monitor Kit.

To attach monitors see steps for single-monitor.

NOTE: Adjustable bracket supports most 24" monitors weighing up to 10 lbs. each.

Cable Management Installation

After the technology has been installed, ensure there is enough slack in the cables from the monitor, keyboard and mouse along with any other peripherals.

STEP 1

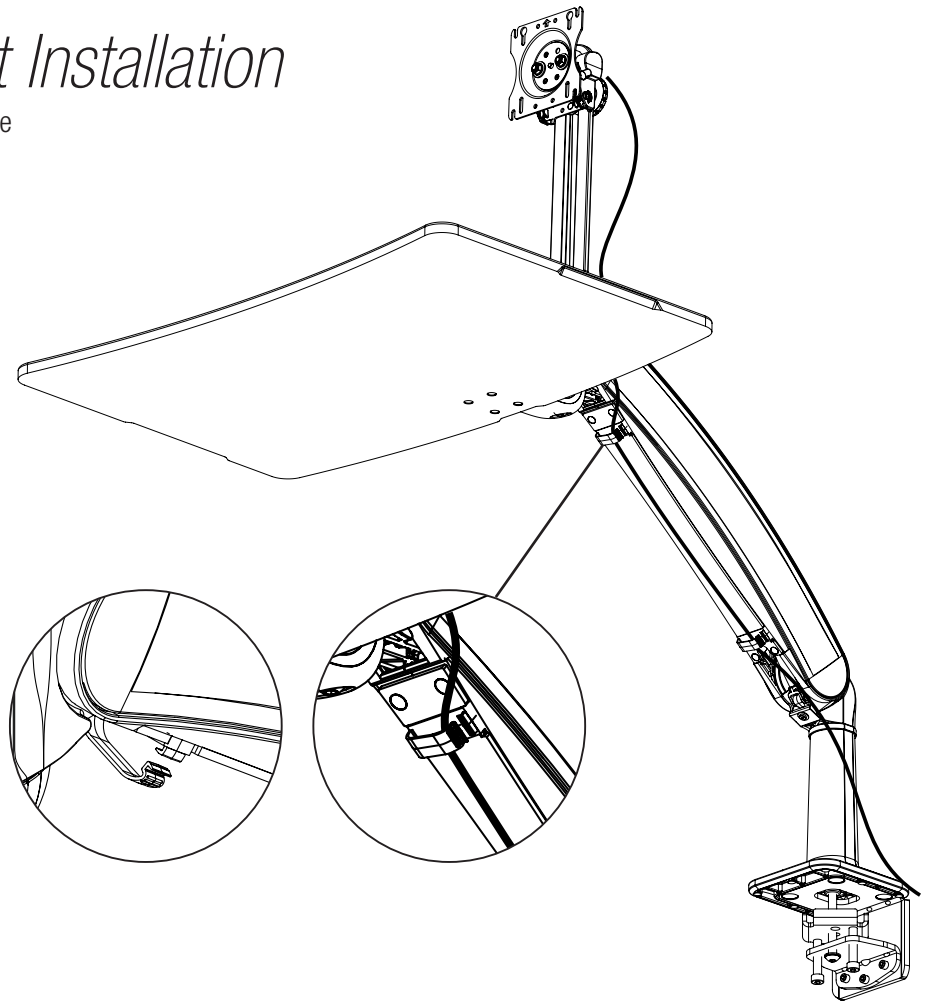
Locate the two cable management clips under the arm. Gently open each of the clips.

STEP 2

Place all required technology cables (power cord, mouse cable, VGA etc.) through the clips under the monitor arm. Make sure to leave enough slack in the cables to allow the arm to move freely.

STEP 3

Gently close the clips to secure the cables in place. Re-adjust slack in the cables if necessary.



Arm Counterbalance Adjustments

Arm adjustment is to be made after all technology has been installed from 6.5 lbs. to 24.5 lbs.

ATTENTION:

Arm must be held down to perform this adjustment.

STEP 1

Remove the trim cap at the back of the arm.

STEP 2

Keeping the arm down, use a 1/4" Allen Key to turn the middle bolt at the back of the arm. Turning the bolt **CLOCKWISE** decreases the spring force reducing the counter balance load. Turning the bolt **COUNTERCLOCKWISE** increases the spring force increasing the counter balance load.

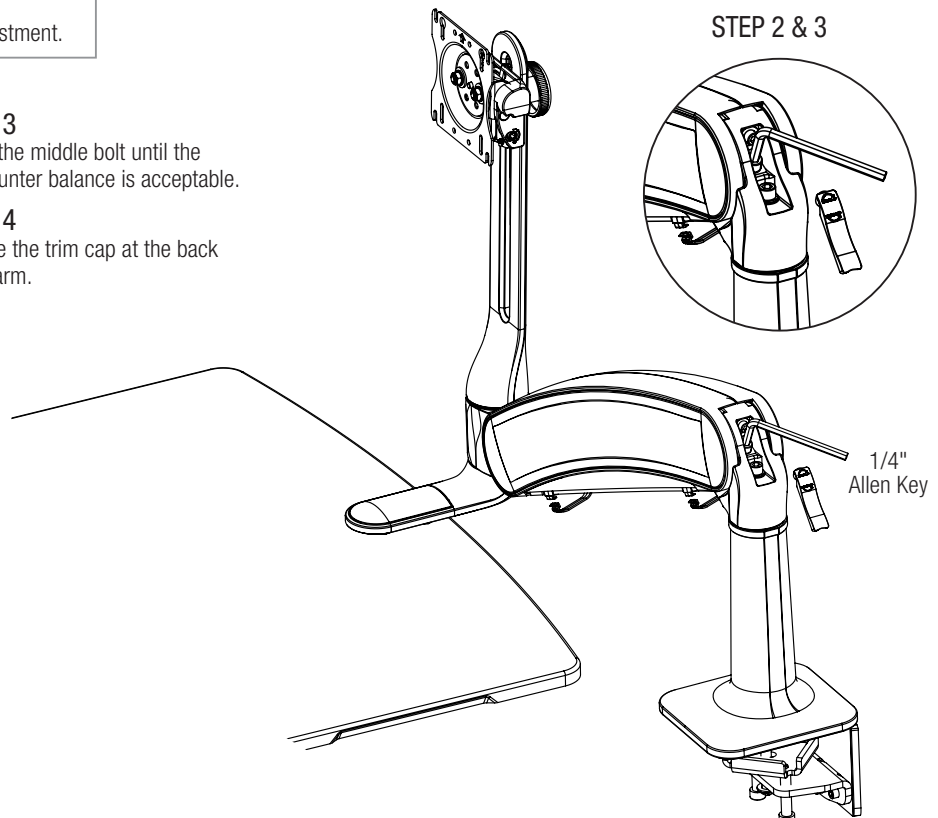
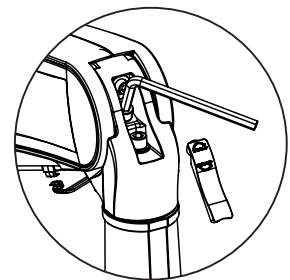
STEP 3

Adjust the middle bolt until the arm counter balance is acceptable.

STEP 4

Replace the trim cap at the back of the arm.

STEP 2 & 3



Do not overtighten bolt as this may cause damage to the product.

Tray Leveling adjustments (Left to Right)

Tray adjustment is to be made after all technology has been installed.

ATTENTION:

Tray must be placed in its in-use position and be parallel to the work surface when adjusting.

STEP 1

Remove the trim cap at the back of the arm.

STEP 2

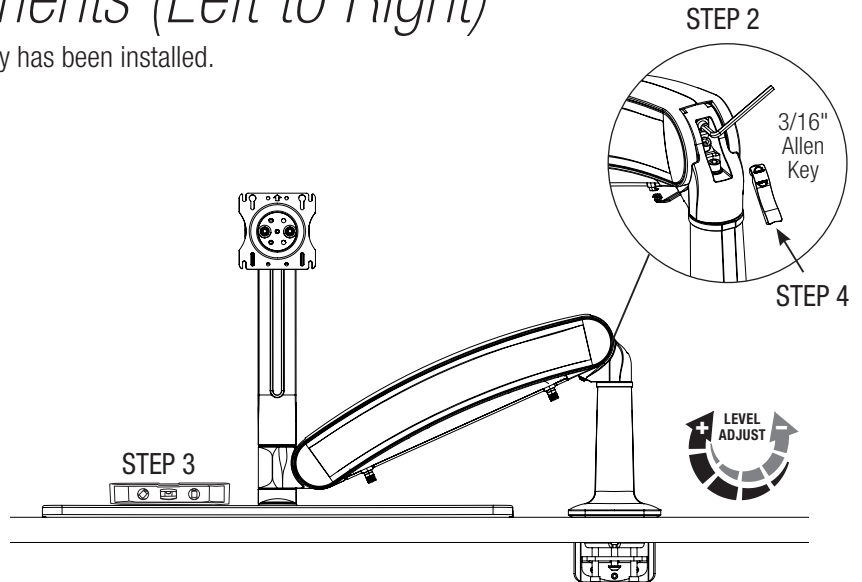
Keeping the arm down, use the 3/16" Allen Key to turn the top bolt at the back of the arm. Turn the bolt until the tray is level.

STEP 3

Confirm that surface is level with spirit level.

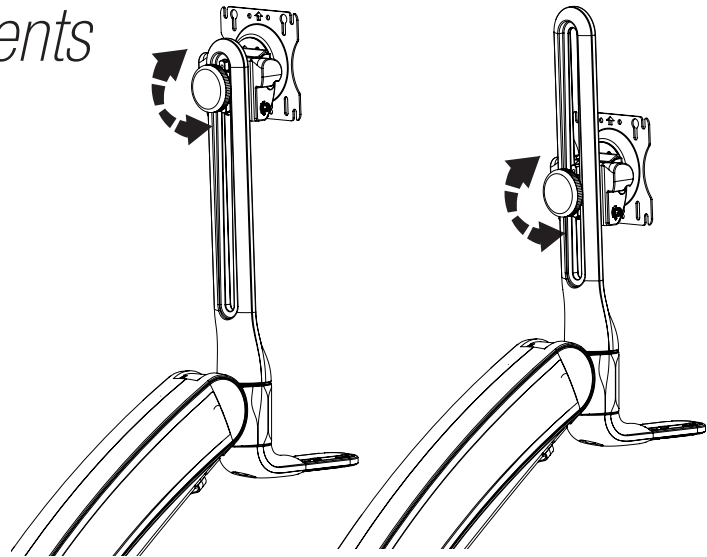
STEP 4

Replace the trim cap at the back of the arm.



Monitor Height Adjustments

Hold and support the monitor before loosening the monitor tower knob. Turn the monitor tower knob counterclockwise to loosen. Move the monitor to desired location. Turn the monitor tower knob clockwise to tighten.



Monitor Tilt Tension Adjustment

STEP 1

To adjust the monitor tilt tension, use a 3/16" Allen Key to adjust the tension setting on both sides of the VESA plate. Setting number 1 is for light monitors and 4 is for heavier monitors. The factory default setting is 1.

STEP 2

Adjust the setting screw until a desirable tension is achieved.



Do not over rotate the dial beyond "1" or "4" position or possible damage to the dial may occur.

