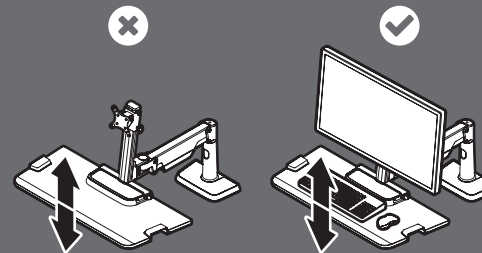


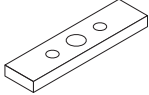
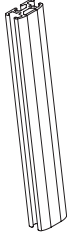

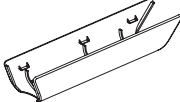
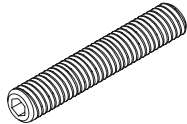
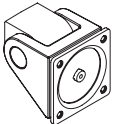
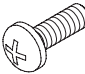

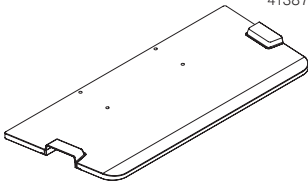
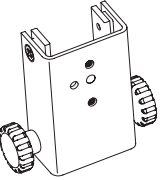
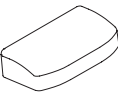
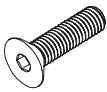

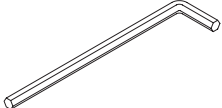
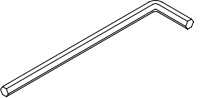
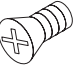

CAUTION:

Mechanism can rise quickly with no equipment in place. User equipment must be properly installed, prior to height adjustment. Failure to do so may result in personal injury and/or property damage.

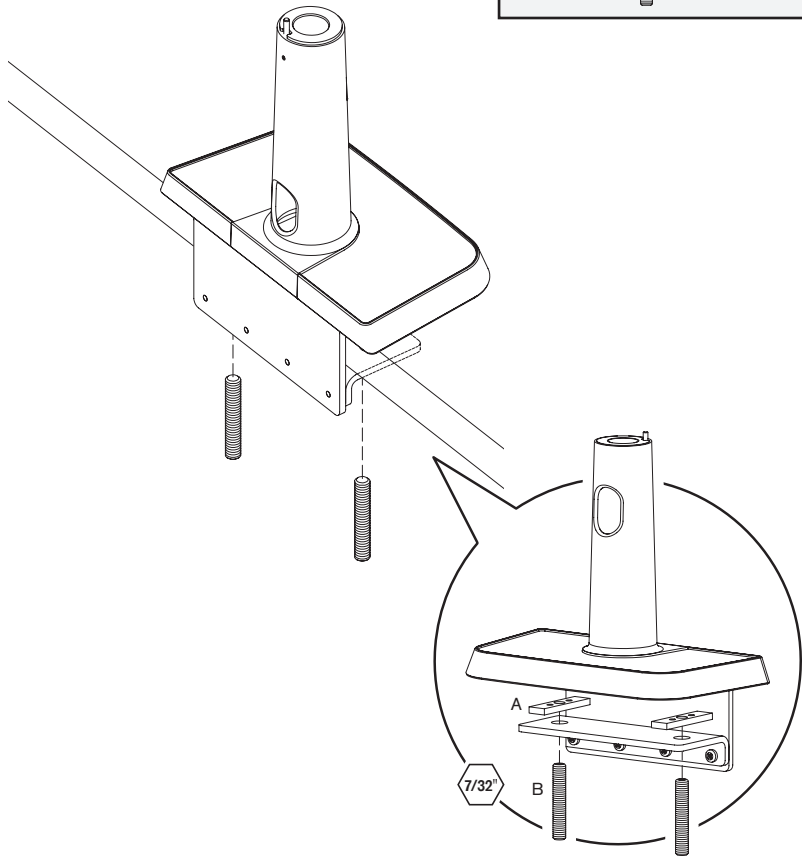
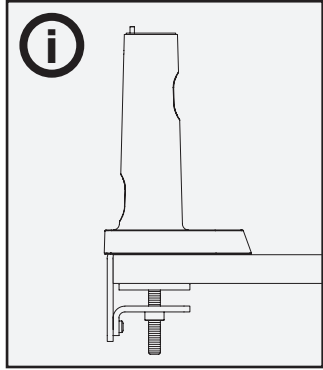


Winston Lift® Single

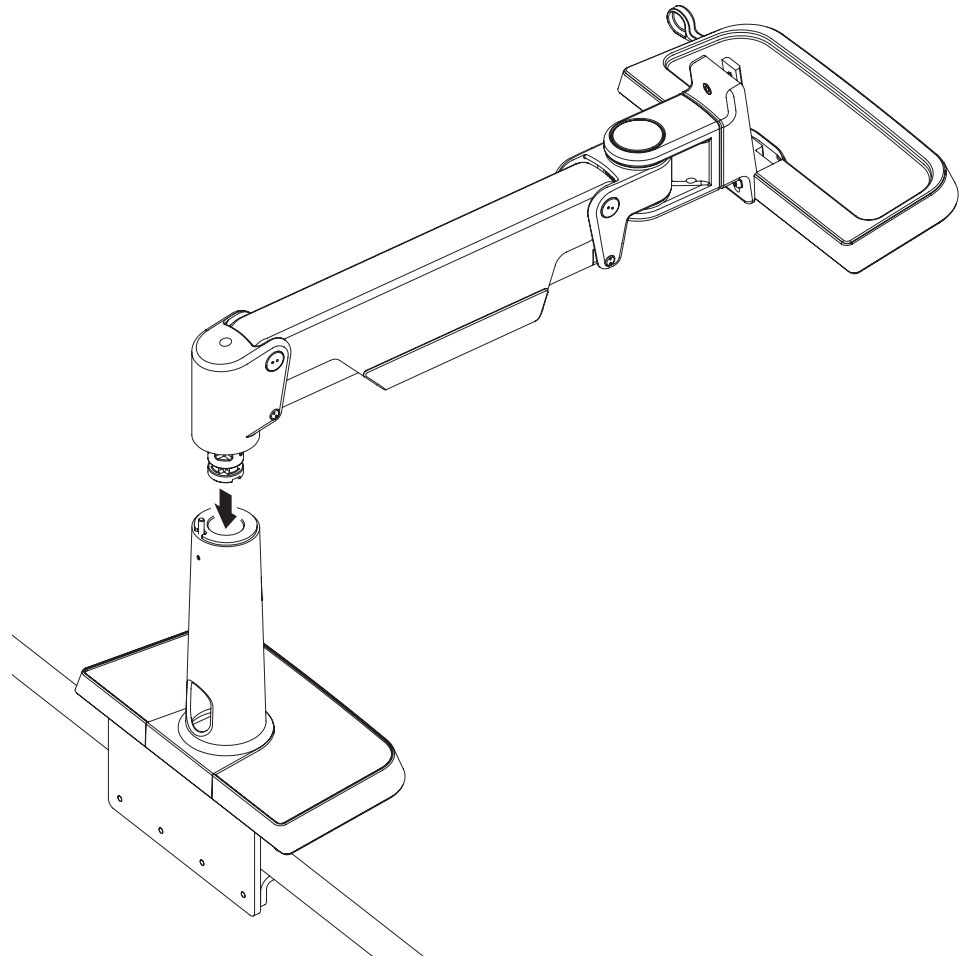
Parts List

<p>A</p> <p>Rectangular Spacer 2x 701544</p> 	<p>F</p> <p>Vertical Column 1x 113389</p> 	<p>K</p> <p>75/100 mm VESA Adapter 1x 105587</p> 	<p>P</p> <p>Cable Manager 1x 113842</p> 
<p>B</p> <p>1/2-13 x 3" Socket Set Screw 2x 701126</p> 	<p>G</p> <p>Monitor Tilter 1x 414291</p> 	<p>L</p> <p>M4 x 12 mm PhPHS (4-pack) 1x 702096</p> 	<p>Q</p> <p>4mm Allen Wrench 1x 709877</p> 
<p>C</p> <p>Work Surface 1x 413878-WHT (white) 413878-BLK (black)</p> 	<p>H</p> <p>Monitor Bracket 1x 414250</p> 	<p>M</p> <p>Column Cap 1x 113496</p> 	
<p>D</p> <p>M8 Screws 4x 714262</p> 	<p>I</p> <p>M6 x 12mm Screw 1x 713217</p> 	<p>N</p> <p>7/32" Allen Wrench 1x 701127</p> 	
<p>E</p> <p>5mm Allen Wrench 1x 710838</p> 	<p>J</p> <p>10-32 x 3/8" PhPHS (4-pack) 1x 702281</p> 	<p>O</p> <p>3/32" Allen Wrench 1x 700146</p> 	

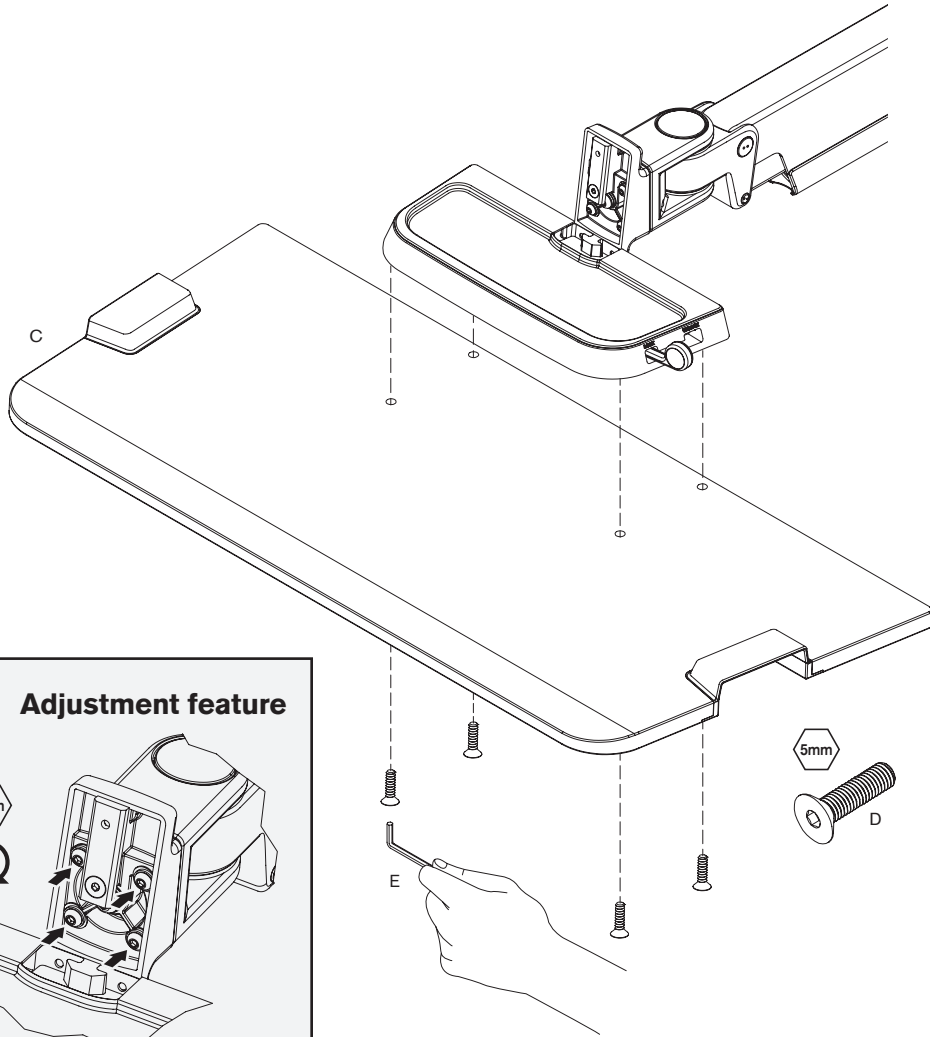
1



2



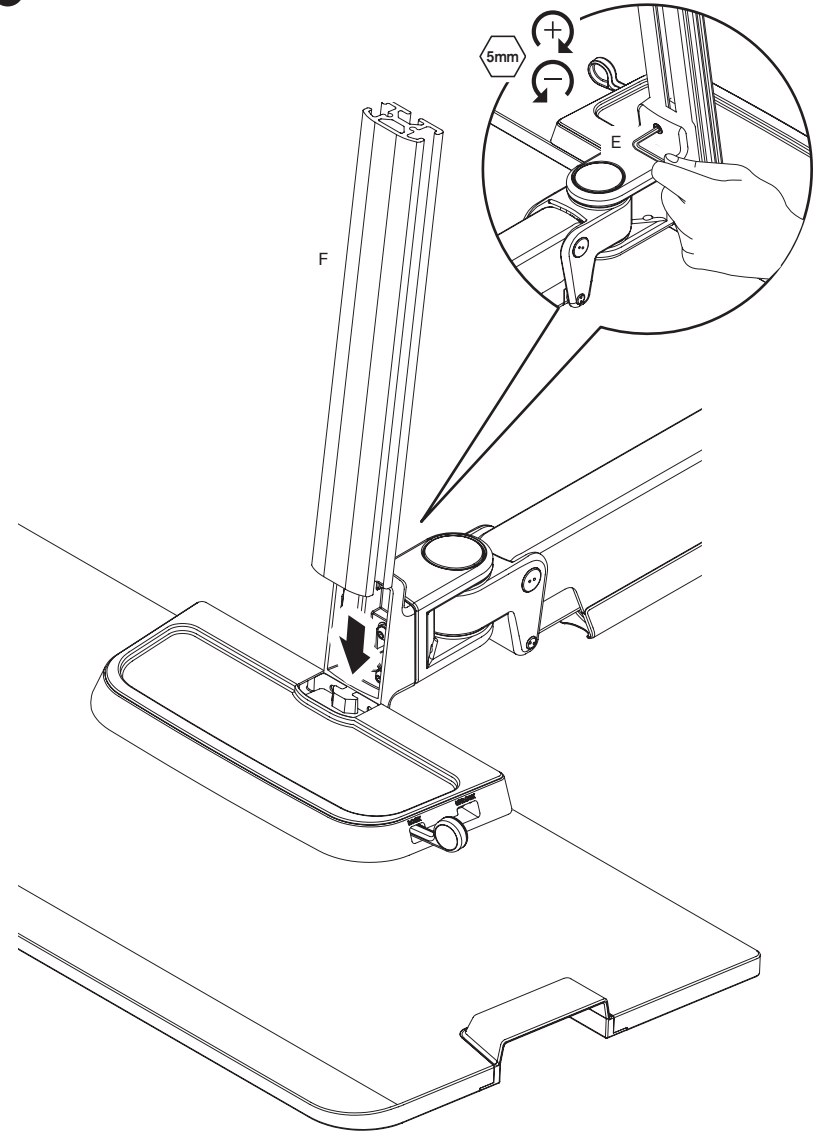
3



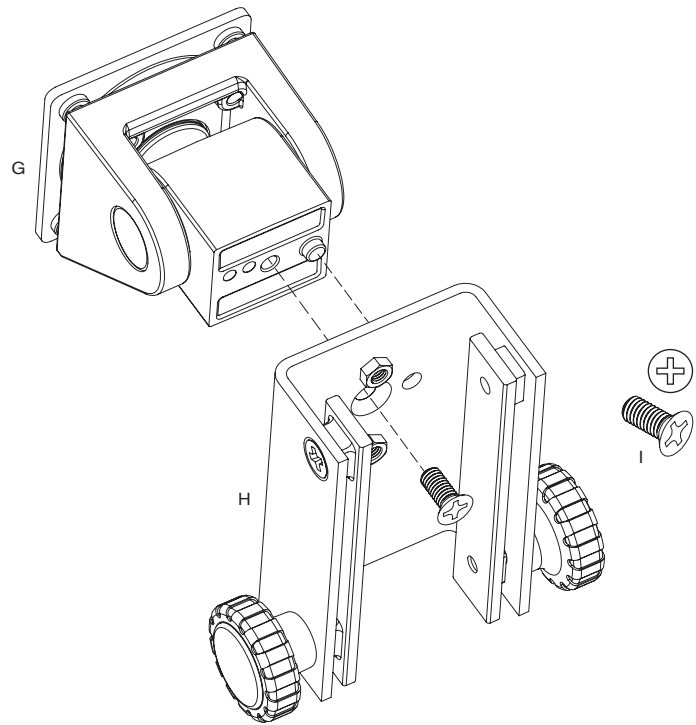
i Adjustment feature

Left-right tilt work surface adjustment can be made by tightening the (4) outer hex head screws with a 4mm Allen Wrench (item Q).

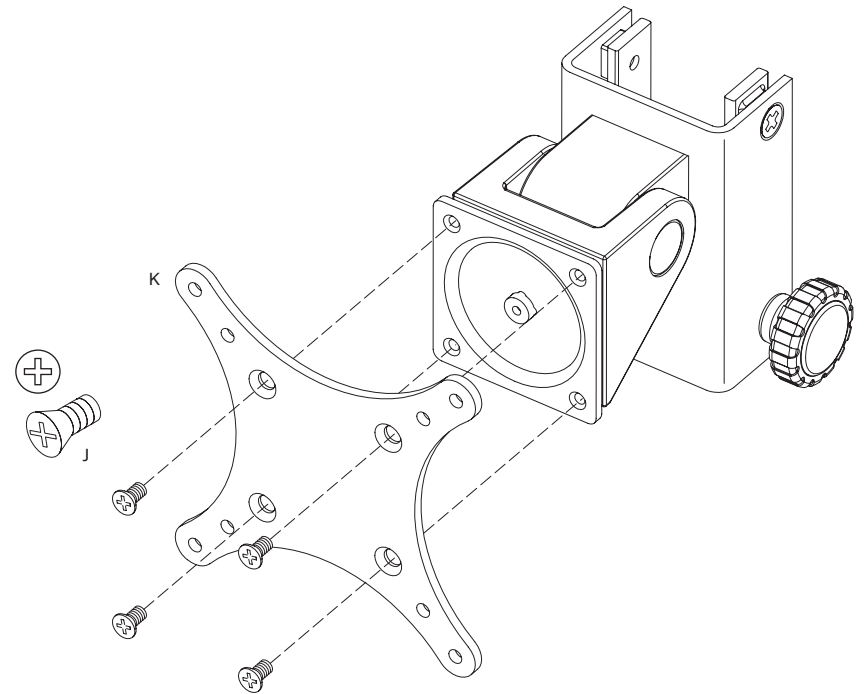
4



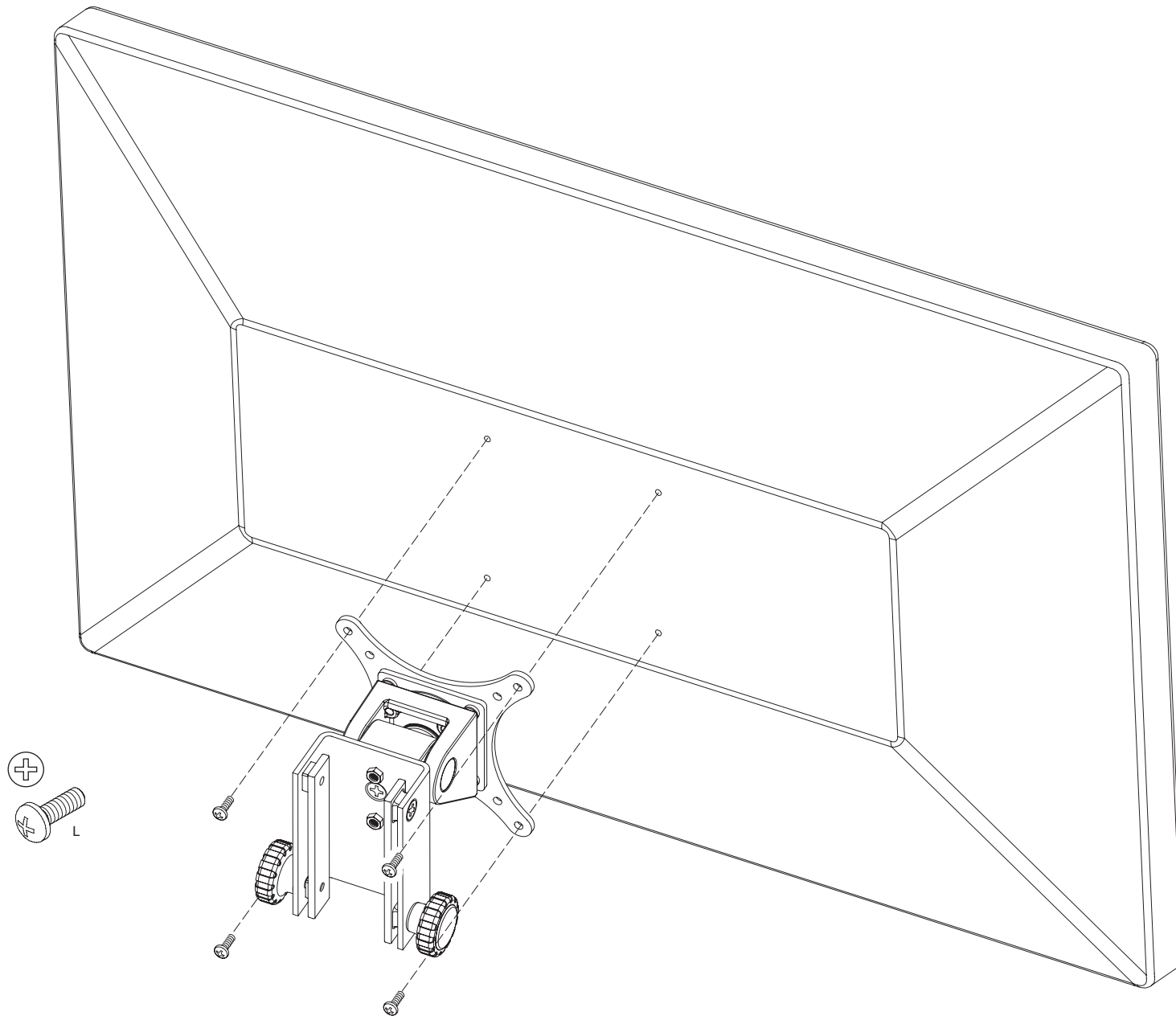
5



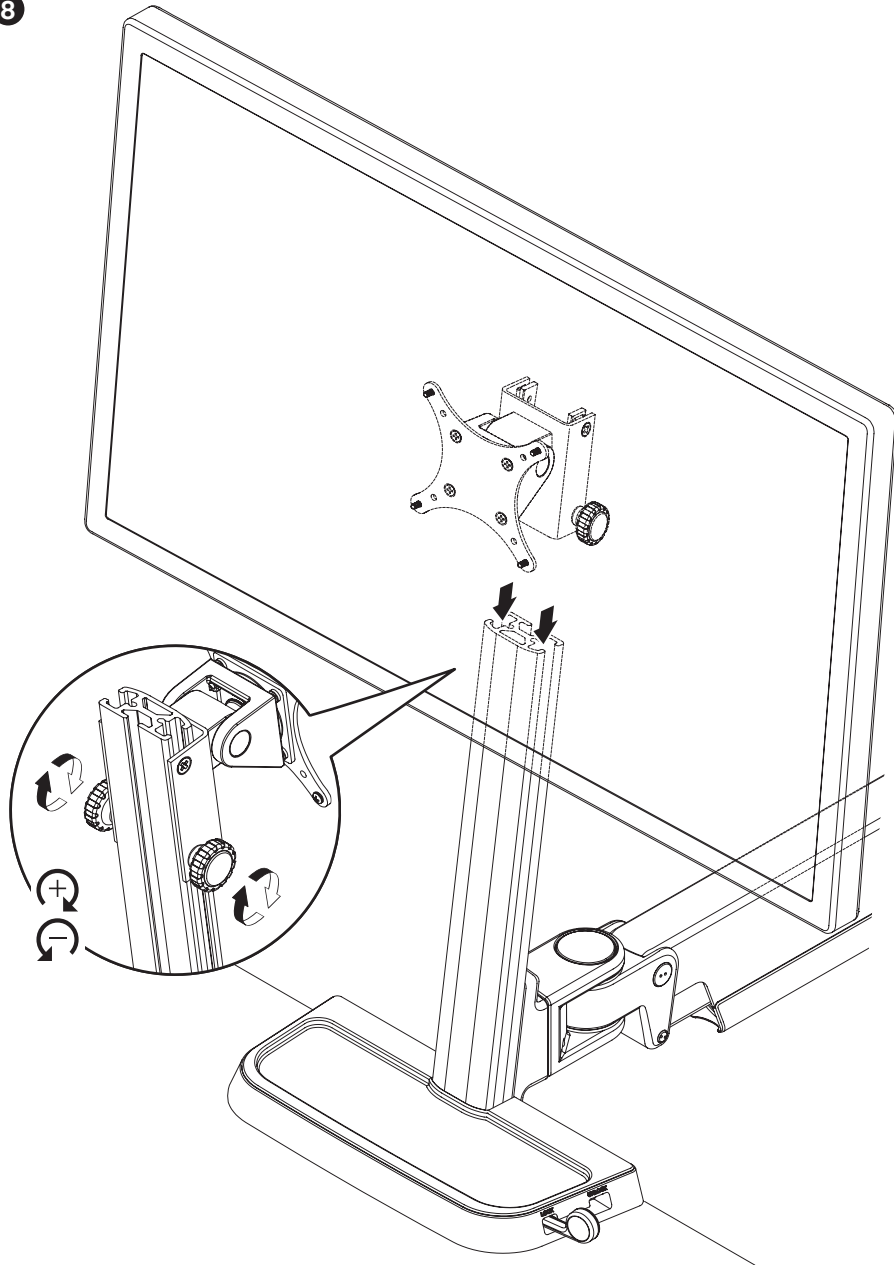
6



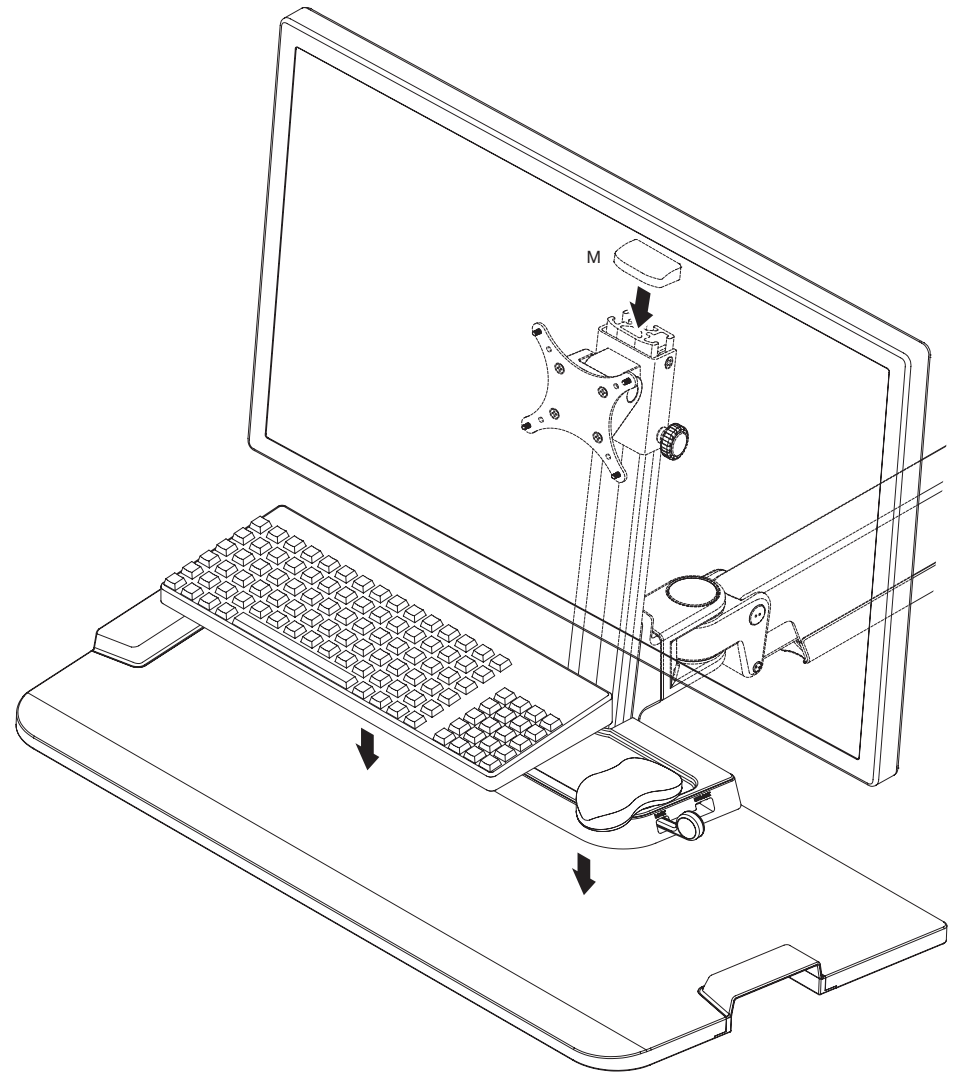
7



8



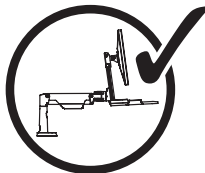
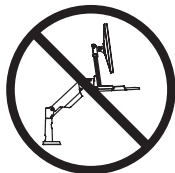
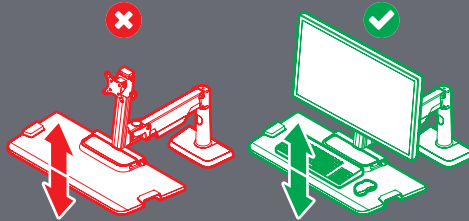
9



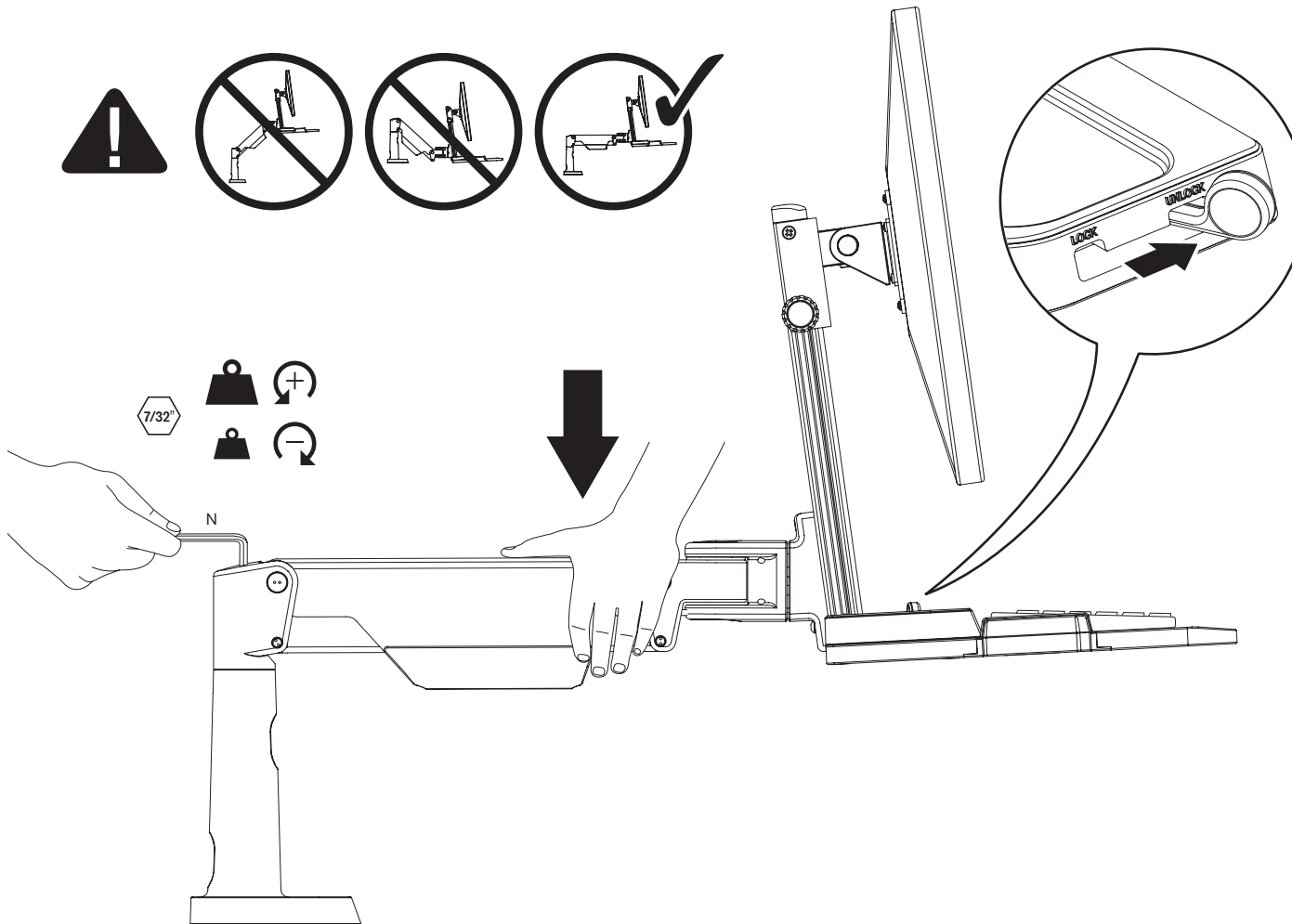


CAUTION:

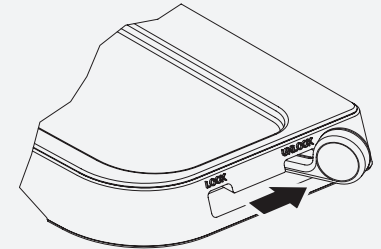
Mechanism can rise quickly with no equipment in place. User equipment must be properly installed, prior to height adjustment. Failure to do so may result in personal injury and/or property damage.



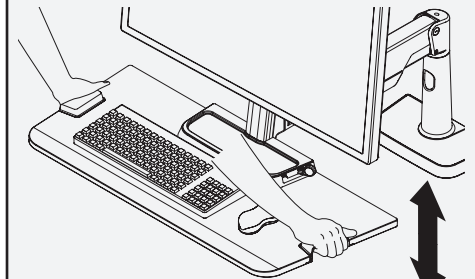
7/32"



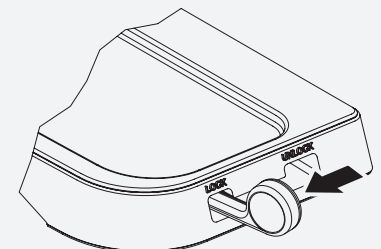
Height adjustment



Slide lever into unlock position.

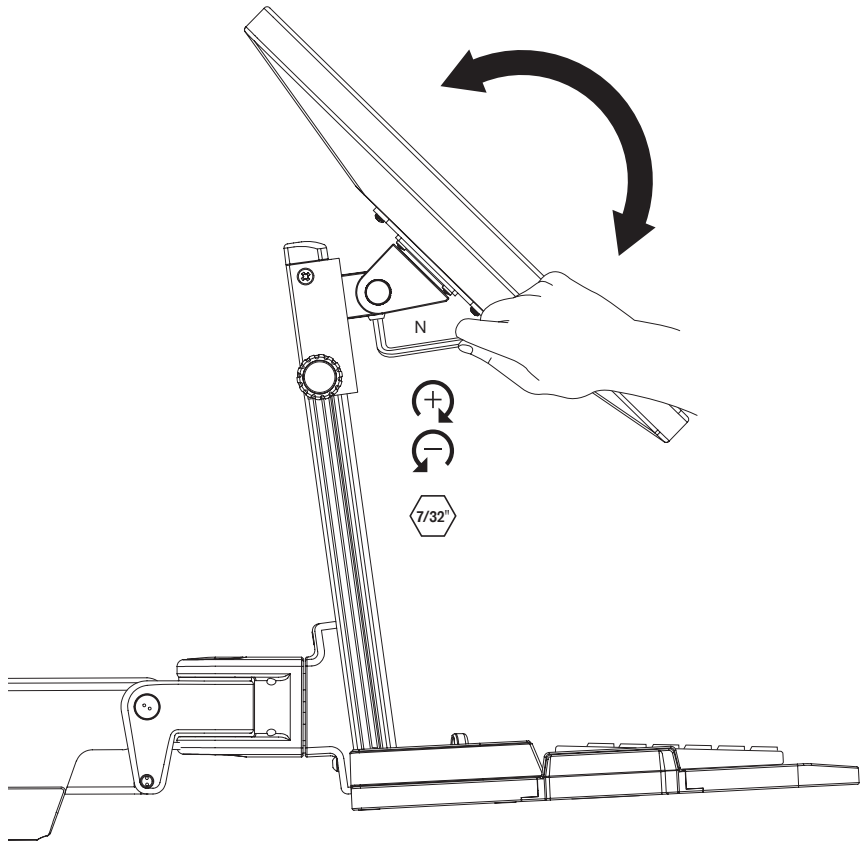


Raise/lower to desired height.



Slide lever into lock position for maximum stability.

11



12

