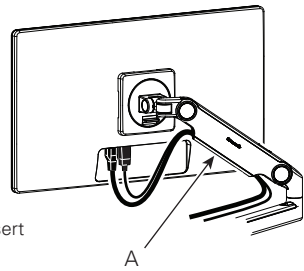
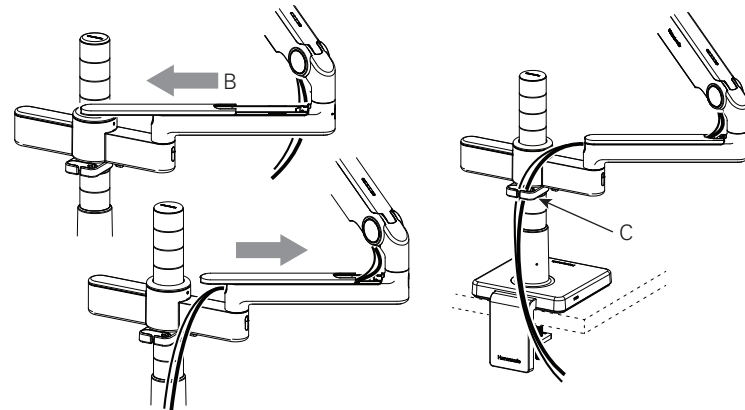


STEP 7: CABLE MANAGEMENT

1. Route power and monitor cables through the flexible Cable Clips (A) on the Upper Link.
2. Slide the Cover (B) off of the Straight Link.
3. Route cables into the Straight Link and replace the Cover, sliding until it clicks into place.
4. Route cables through Cable Routing Hook (C).

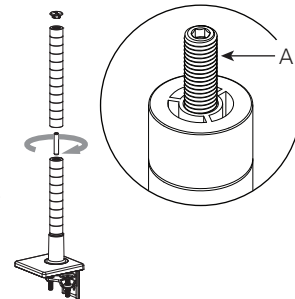


CAUTION: Don't insert extension cords. Don't insert any cord connecting one workstation to another.



STEP 8: ADDING A SECOND ROW OF MONITORS

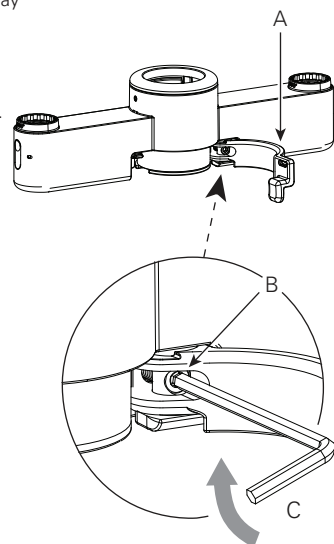
1. Remove Cap from the top of the first Post.
2. Install the Coupling Screw (A) into the top of the Post. Leave half of the Screw sticking out.
3. Screw second Post onto the Coupling Screw. Posts must be tightly seated against each other.
4. Push Cap on top of second Post.



STEP 9: M/FLEX CLAMP ADJUSTMENTS

Your M/Flex arrives ready for use, however it may become necessary to adjust the clamp.

1. Remove monitors and links from the Bracket.
2. Open the Lever (A) all the way.
3. Turn the Adjustment Screw (B) clockwise ¼ of a turn using the 3 mm hex key (C).
4. Test your adjustments by closing the Lever.



CAUTION: If the lever is difficult to close, or will not close fully, it is over-tightened. Turn the adjustment screw counter-clockwise slightly.

Forcing it closed will damage the M/Flex.

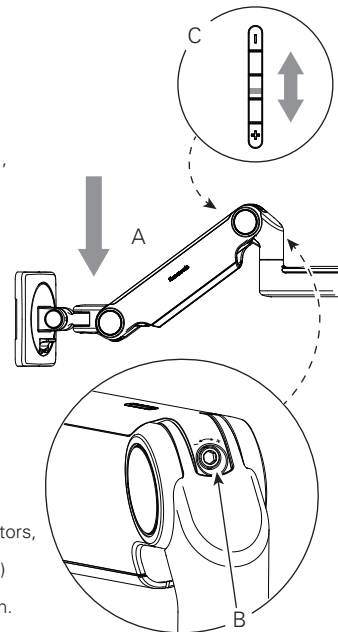
STEP 10: WEIGHT ADJUSTMENTS

Your monitor should move up and down easily and stay in position.

If the monitor moves down from the desired position, or is hard to lift, you should **increase** the counterbalance force. If the monitor moves up from the desired position you should **decrease** the counterbalance force.

M2.1 AND M8.1 ADJUSTMENT

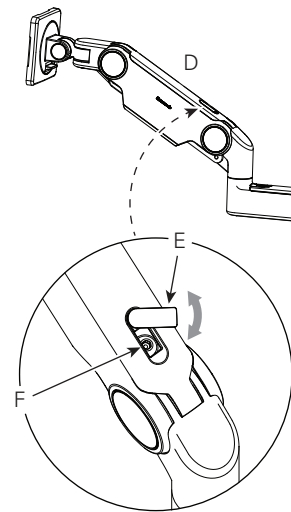
1. Push the Upper Link (A) down until the Adjustment Screw (B) is visible.
2. Using the appropriate hex key (4 mm for M2.1, 5 mm for M8.1) turn the Adjustment Screw clockwise (towards **+**) to **increase** force, or counter-clockwise (towards **-**) to **decrease** force. Turn the Adjustment Screw (B) until the monitor is balanced.
3. Move the monitor around to ensure that the motion is smooth and the arm holds the monitor in place.



NOTE: When installing several of the same monitors, note the position of the needle in the Indicator (C) on top of the arm. Adjust the other arms to match.

M10 ADJUSTMENT

1. To access the Adjustment Screw (F), use your finger to pry open the Cover (E) on the Upper Link (D).
2. Using the 5 mm hex key, turn the Adjustment Screw (F) clockwise to **increase** force, or counter-clockwise to **decrease** force. Turn the Adjustment Screw until the monitor is properly balanced.
3. Move the monitor around to ensure that the motion is smooth and the arm holds the monitor in place.
4. Reposition the Cover (E) and press until it snaps in place.

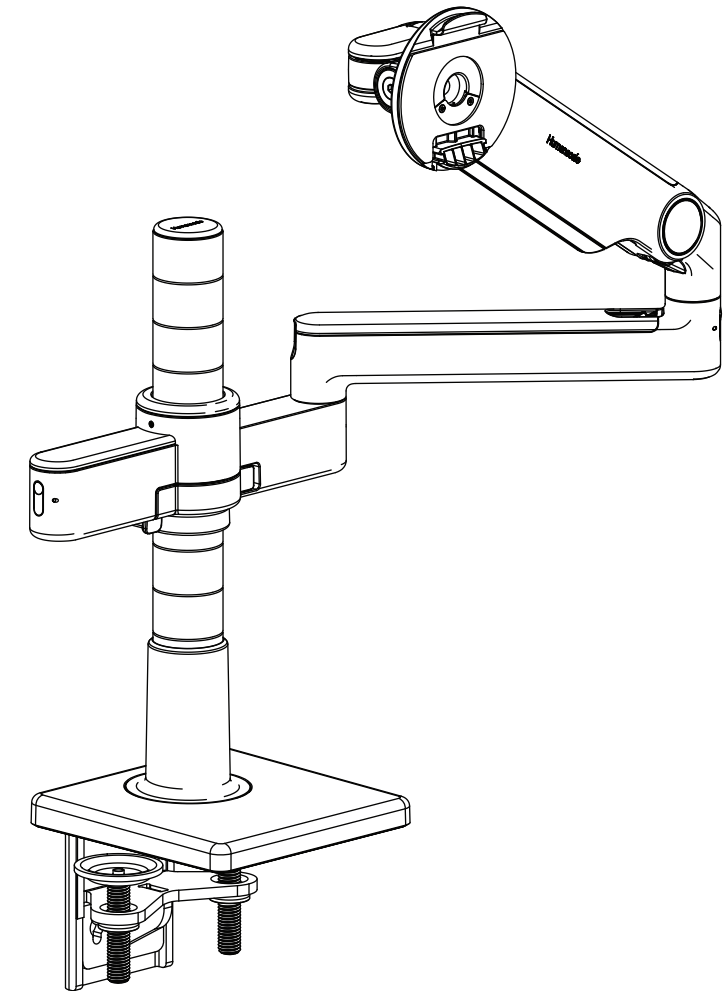
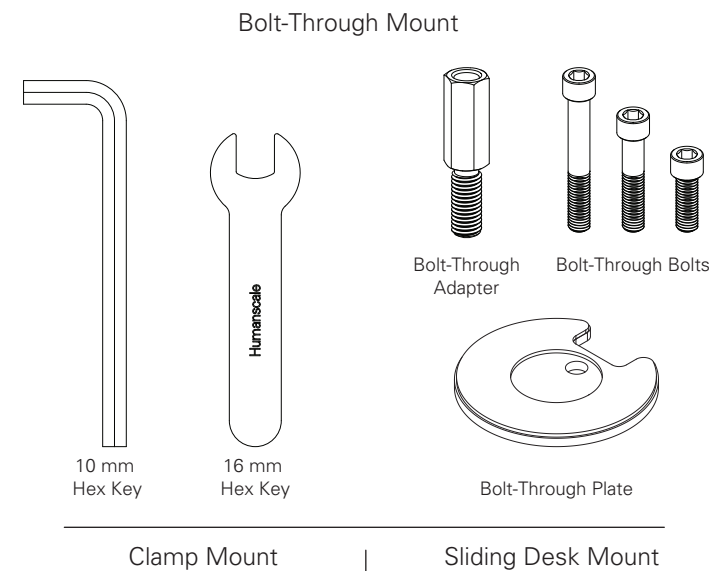
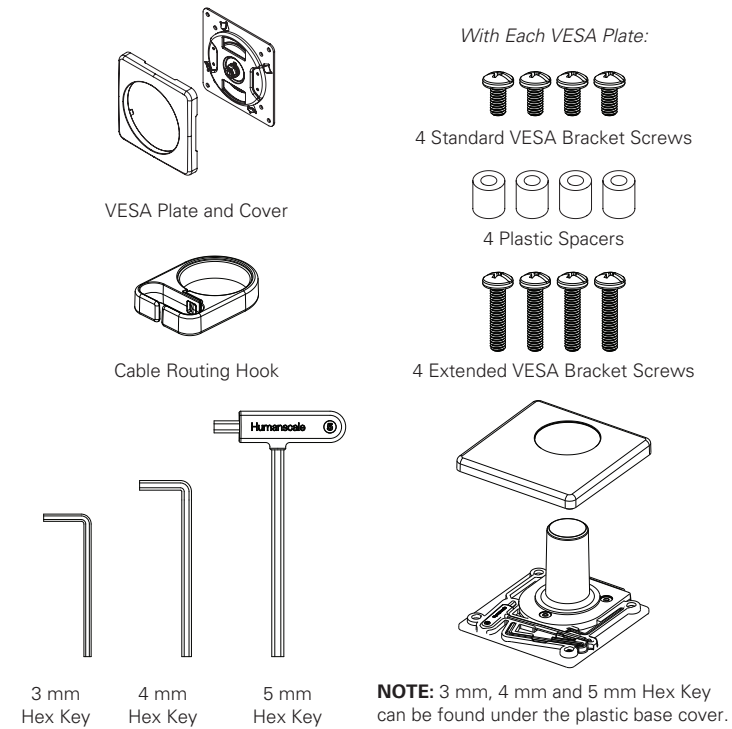


CAUTION: Do not over-tighten the Adjustment Screw as it can damage the arm.

Monitors Should Not Exceed:

- 15.5 lbs (7 kg) for M2.1
- 28 lbs (12.7 kg) for M8.1
- 48 lbs (21.8 kg) for M10
- Total Weight Not To Exceed 95 lbs (43 kg)**

M/FLEX INSTALLATION HARDWARE



M/FLEX®

Desk Mount
Installation Instructions

GT-NPD-IM-4663-001-R00

www.humanscale.com

© 2018 Humanscale Corporation. The text and artwork are copyrighted materials. All rights reserved. The Humanscale mark and logo are trademarks of Humanscale Corporation and are registered in the United States and certain other countries. The M/Flex trademark is owned by Humanscale Corporation.

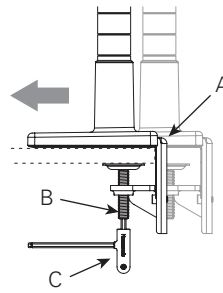
STEP 1: ATTACH MOUNT TO WORK SURFACE

CAUTION: The following Desk Mounts cannot be used to mount M/Flex to any wall or vertical surface.

CLAMP MOUNT

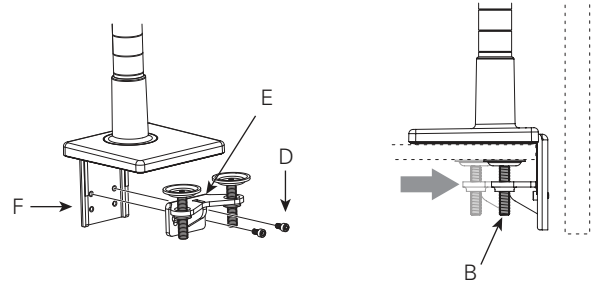
1A. For installation on an open edge of a work surface:

- Slide the Clamp Mount (A) all the way against the edge of the work surface.
- Using the 5 mm hex key (C), tighten the Clamp Screws (B)



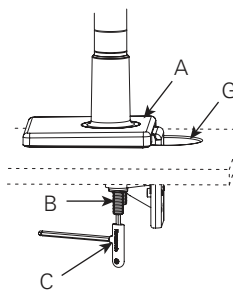
1B. For installation on a work surface against a wall or panel:

- Detach the Clamp Bracket (E) from the Frame (F) by loosening Bracket Screws (D) with the 5 mm hex key (C).
- Position the Frame all the way against the edge of the work surface.
- Underneath the work surface, reattach the Clamp Bracket to the Frame and tighten the Bracket Screws.
- Using the 5 mm hex key, tighten the Clamp Screws (B)



1C. For installation through a 3" (75 mm) grommet hole:*

- See step 1B – i to remove Clamp Bracket
- Position the Base (A) in grommet hole (G) up against the inside edge. Ensure the Base is facing the user.
- See steps 1B – iii, iv to reattach Clamp Bracket.



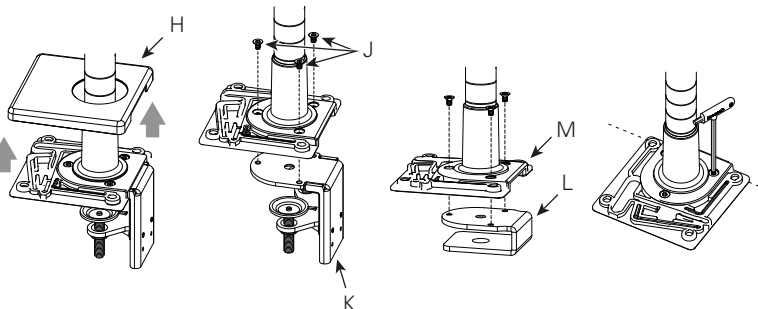
* If the diameter of the grommet hole is less than 3" (75 mm), a Bolt-Through Mount is required.

SLIDING DESK MOUNT

1D. For installation with minimal clamp space:

Skip to step iii, if the Clamp Mount is not attached.

- Remove Base Cover (H) by lifting it up and off.
- Using the 5 mm hex key (C), loosen the three Base Screws (J) to remove Clamp Mount (K).
- Loosely attach Sliding Clamp (L) to the Base Plate (M) with the Base Screws (J). Do not tighten these screws yet.
- Slide the Clamp all the way against the back edge of the work surface.
- Finish tightening the three Base Screws.



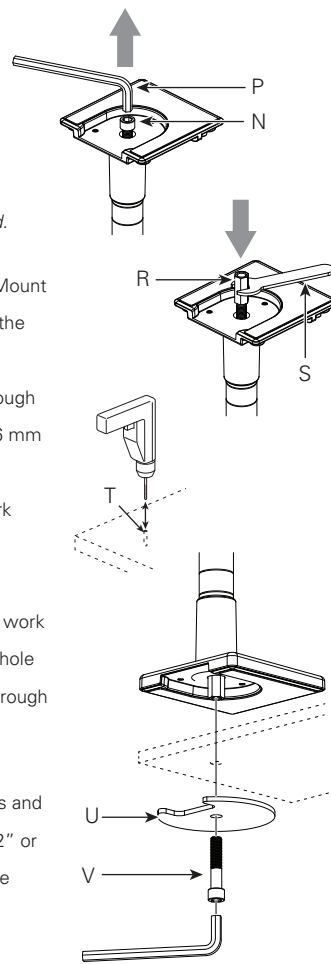
BOLT-THROUGH MOUNT

1E. For installation on a work surface with no space for a clamp system:

Skip to step iii, if the Clamp Mount is not attached.

- See steps 1D – i, ii to remove Clamp Mount
- Remove the Post Bolt (N) from under the base using the 10 mm hex key (P)
- Pass the Bolt-Through Adapter (R) through the base and into the Post. Use the 16 mm wrench (S) to tighten the adapter.
- Drill a hole (1/2" – 4") through the work surface in the desired location.**
- Position the Base over the hole (T).
- Align Bolt-Through Plate (U) under the work surface. Pass the Bolt (V) through the hole in the plate and screw into the Bolt-Through Adapter using the 10 mm hex key.

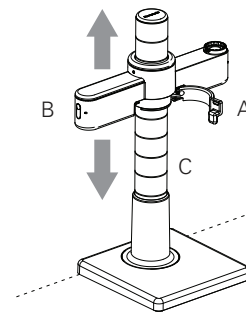
** The Bolt-Through Mount will accommodate holes and grommets up to 4" (102 mm) in diameter. Holes 2" or larger will allow cables to be routed through before installation of the mount.



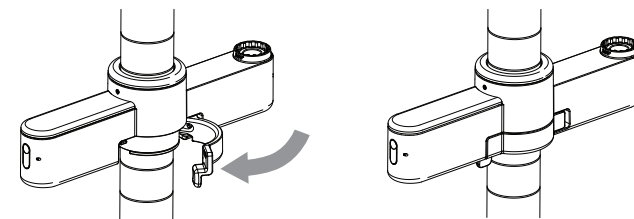
STEP 2: BRACKET ASSEMBLY AND CABLE CLIP

SINGLE AND DUAL MONITOR APPLICATIONS

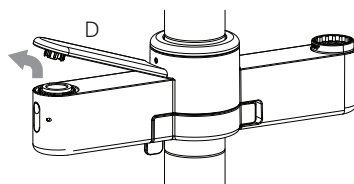
- With the Lever (A) open, position the Dual Bracket (B) at the desired height on the Post (C).



- Close the Lever entirely.

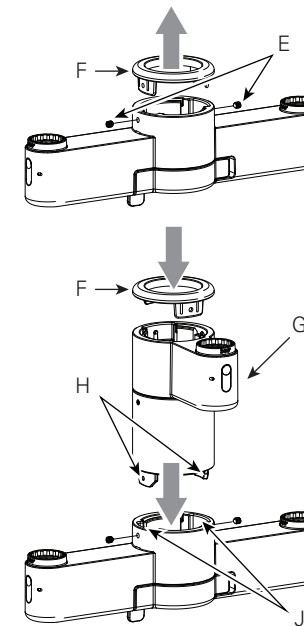


- If you are adding a second monitor, lift and remove the Cover (D).



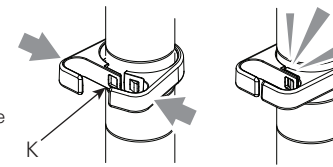
TRIPLE MONITOR APPLICATIONS

- Remove the two set screws (E) that retain the Bracket Cap (F). Lift Bracket Cap upwards to remove it.
- Install the Extension Bracket (G) on top of the Dual Bracket. Insert Tabs (H) into the Pockets (J). Replace the Set Screws. Tighten screws until the Extension Bracket is secure and the screws are flush with the surface.
- Insert the Bracket Cap into the top of the Extension Bracket. Press down until it clicks into place.



CABLE ROUTING HOOK

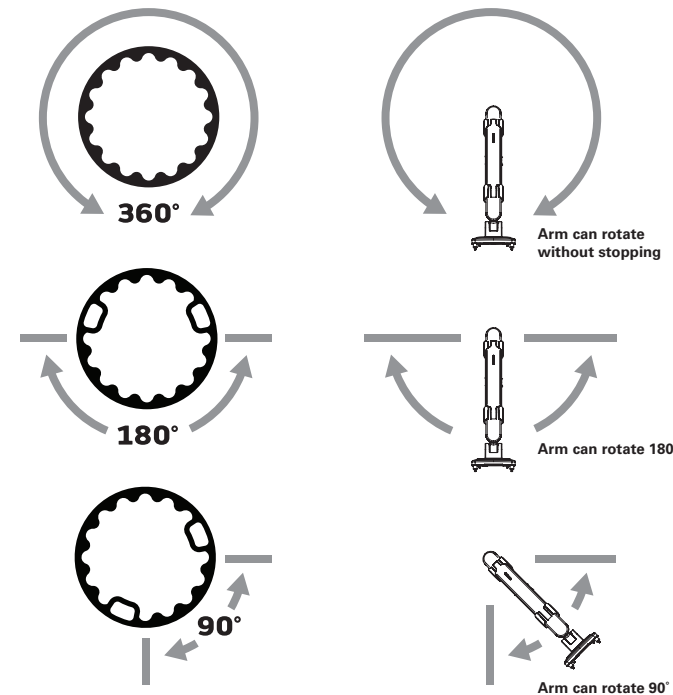
- Spread the hooks around the post in the desired location.
- Squeeze the two sides until the Lock (K) snaps together.
- To release, use fingernail to disengage the Lock.



STEP 3: SMART STOP ADJUSTMENT

A Smart Stop Ring is included at every Quick Attach joint. Position the Smart Stop Ring to limit the arm's range of motion. The marked angle will be in the center of the range of motion.

NOTE: The stop rings must be configured in such a way that does not allow the monitor to pass behind the rear edge of the unit.



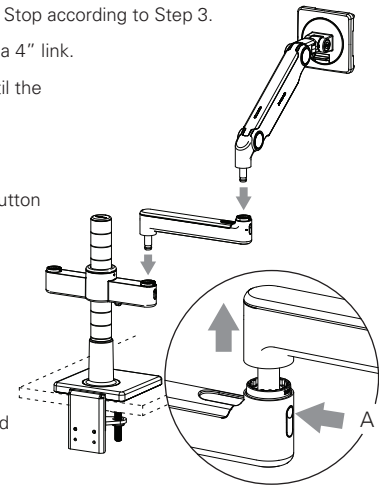
STEP 4: ATTACH ARMS TO BRACKET

Before adding each link, adjust the Smart Stop according to Step 3.

In a triple link configuration, one must be a 4" link.

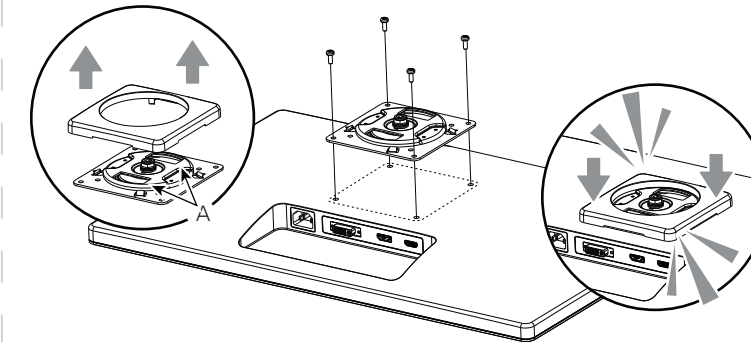
- Insert the first link into the mount until the release button (A) locks in place.
- Insert the next link into the first link.
- To remove a link, press the release button and lift upward near the joint.

NOTE: The installation order of the links must not allow the monitor to pass behind the rear edge of the unit.



STEP 5: ATTACH VESA PLATE TO MONITOR

- Separate the VESA cover from the VESA plate.
- Position the VESA plate over the mounting holes on the back of monitor with the D-shaped cutouts (A) in a vertical orientation. Attach using provided VESA screws.
- Snap the VESA cover back in place.



The VESA plate features 75 mm and 100 mm hole patterns. You may use the screws that came with your monitor to attach the VESA plate. If you must offset the plate from the monitor, use the plastic spacers and extended screws.

STEP 6: ATTACH MONITOR TO ARM

- Hold the monitor at an angle and lower it onto the arm. Fit the hook at the top of the arm into the D-shaped cutout in the VESA plate.
- Push the bottom of the monitor back until the Quick Release Tab (B) on the arm snaps into position.
- To remove the monitor, lift the Quick Release Tab and pull the bottom of the monitor away from the arm, then lift free of the hook.

NOTE: If needed, adjust the Tension Screw (A) to hold the monitor in position.

