

**Warning!**

This product contains small items that could be a choking hazard if swallowed. Keep these items away from young children.

- Make sure these instructions are read and completely understood before attempting installation. If you are unsure of any part of this installation, please contact a professional installer for assistance.
- Proper tools must be used. A minimum of two people are required for this installation. Failure to install properly can result in property damage or serious injury.
- Check joint parts every two months, making sure the screws have not loosened.

Note: This product is intended for indoor use only. Use of this product outdoors could lead to product damage or physical injury.

**WARNING**

Hand Pinching

Do not place your hands near the "scissor" part of the desk. The lifting mechanism will change when raising or lowering the desktop. Please be aware of all moving parts to avoid hurting your hands.



**Warning!**

Please do not place your hand near the scissor lift. The scissor lift angle will change when lifting or lowering the desktop and it may hurt your hands.



**Warning!  
No Climbing**



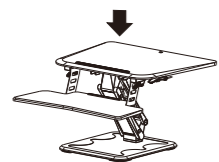
**Warning!**

Please make sure to install all equipment on a level surface.



**Warning!**

Cable management tie is included to help organize your cables. When organizing cables, make sure you have sufficient cord length to reach the top height when the desktop unit is fully extended upwards. Failure to do so may result in damage to corded device.



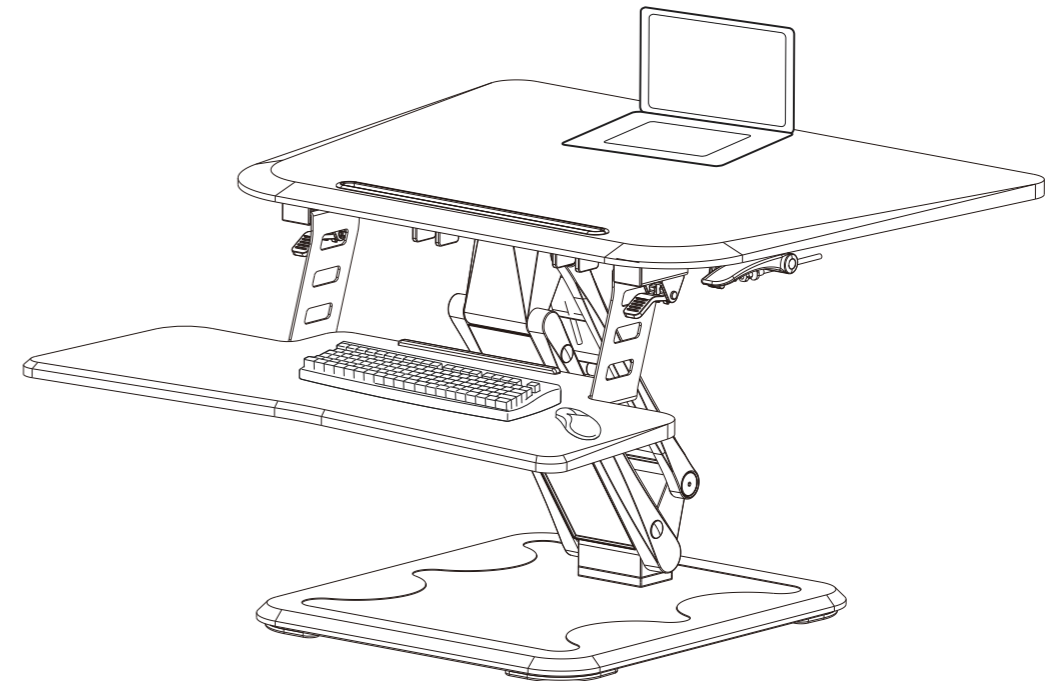
**Warning!**

If the device placed on your desktop weighs less than 6.6 lbs, press the handle grips and force down the desktop to prevent the workstation from bouncing up. Failure to do so may result in damage to the device or physical injury.

# FLEXISPOT

**Model : M5MB/M5MW/M5MN**

**Installation Guide**








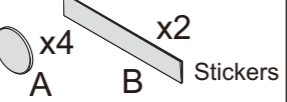
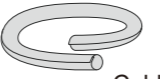
**Specifications**

Desktop Weight Capacity	≤ 33 lbs (15 KG)
Keyboard Tray Weight Capacity	≤ 4.4 lbs (2 KG)
Height Adjustable Range	6.7" - 17" (170 - 430mm)

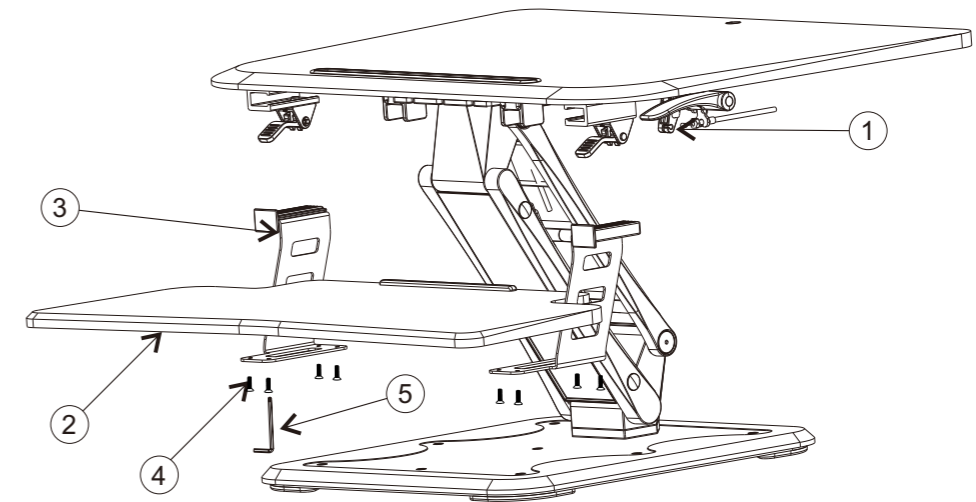
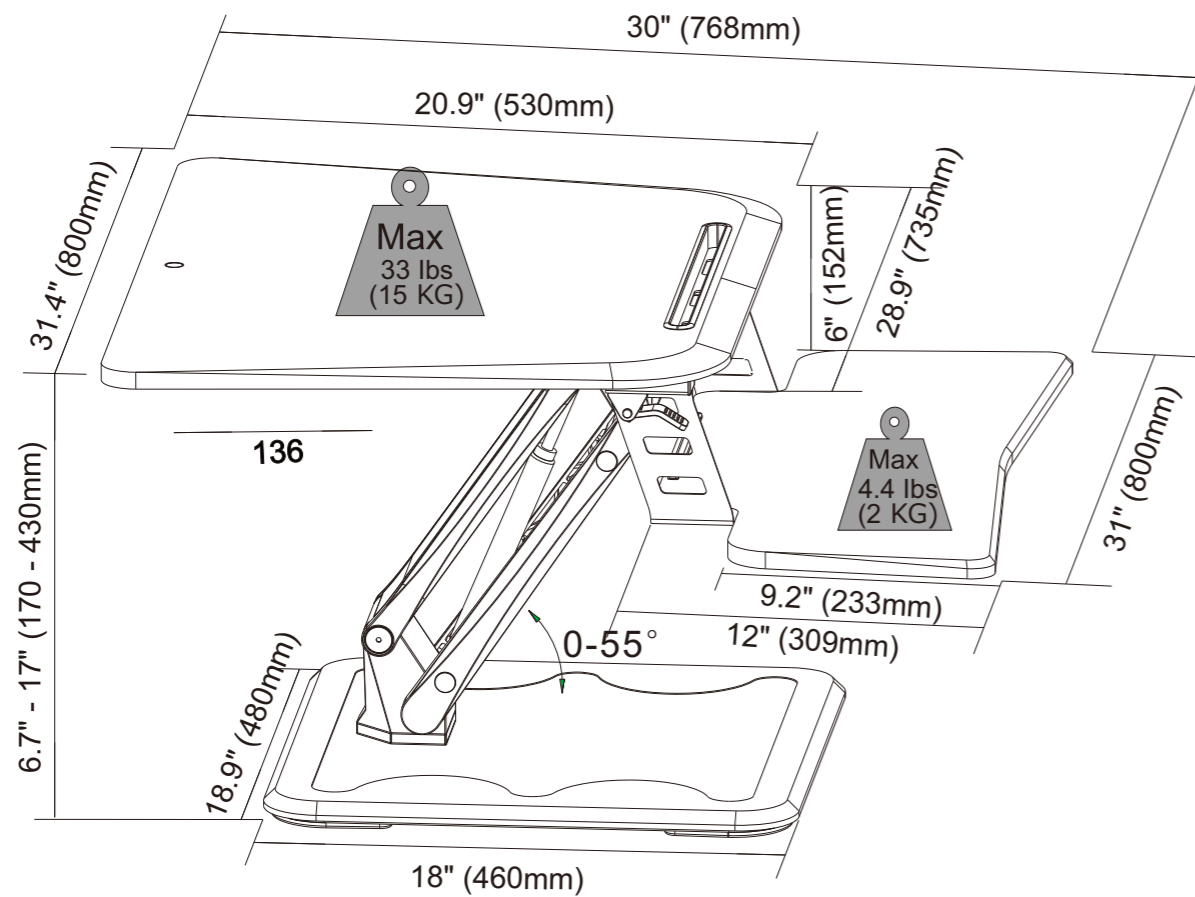
Website: [www.flexispot.com](http://www.flexispot.com)  
Tel: 1-855-421-2808

## Parts Included:

The diagram shown is for reference only and may not accurately depict all parts. Please contact customer service if there is any part missing.

Part#	Part Name	Qty	Part#	Part Name	Qty	Part#	Part Name	Qty	Part#	Part Name	Qty
①	 Desktop	1	②	 Keyboard tray	1	③	 Connecting Plates	1	④	 screws 8	8
⑤	 5x5 Hex Key	1	⑥	 x4 A x2 B Stickers		⑦	 Cable Sleeve x1				

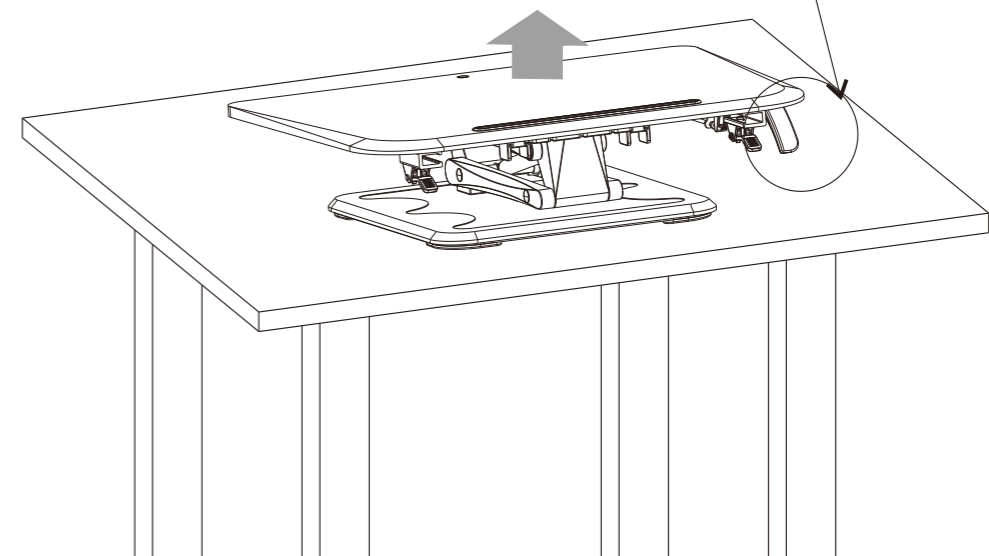
Attach the connecting plate to the keyboard tray and tighten with 6pcs screws.



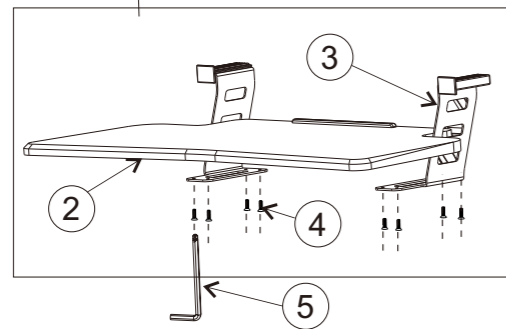
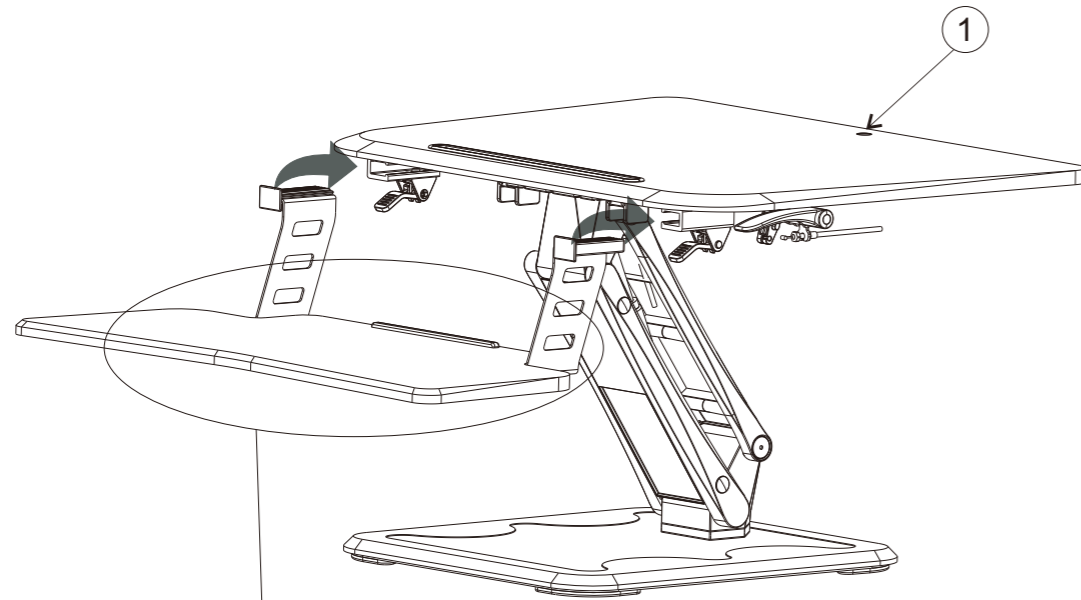
## Step 1: Place the desktop body on an even surface



Unlock the handle to release the main body part. Caution: Be careful when unlocking the handle because the surface will bounce up.



## Step 2: Connect the Keyboard Tray



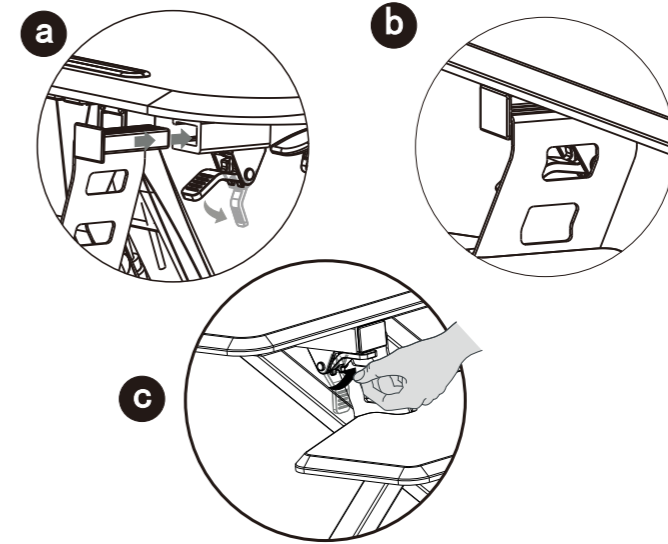
Attach the connecting plates to the keyboard tray and tighten with 8 screws.



Connect the keyboard tray (2) to the desktop plate.  
Note: The keyboard tray can be added or removed depending on your preference. It is not required for proper functioning of the unit.

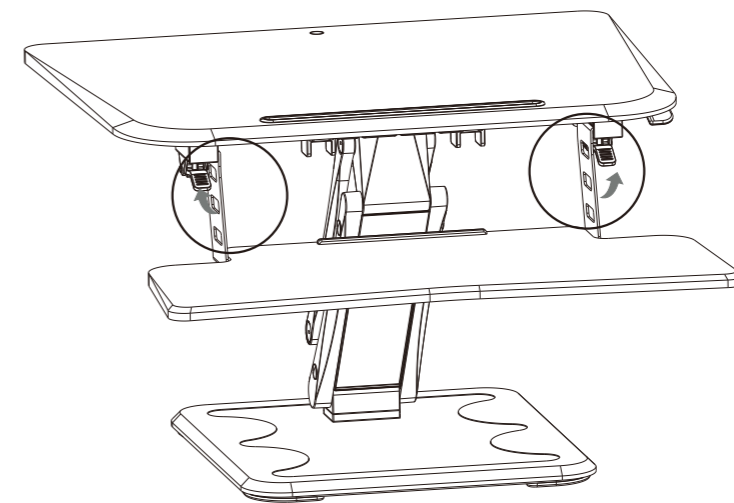
Connect the keyboard tray to the desktop plate.

Unlock the handle grips on both sides then attach the keyboard tray as shown in the diagram. Lock the handle grips down to finish the assembly.



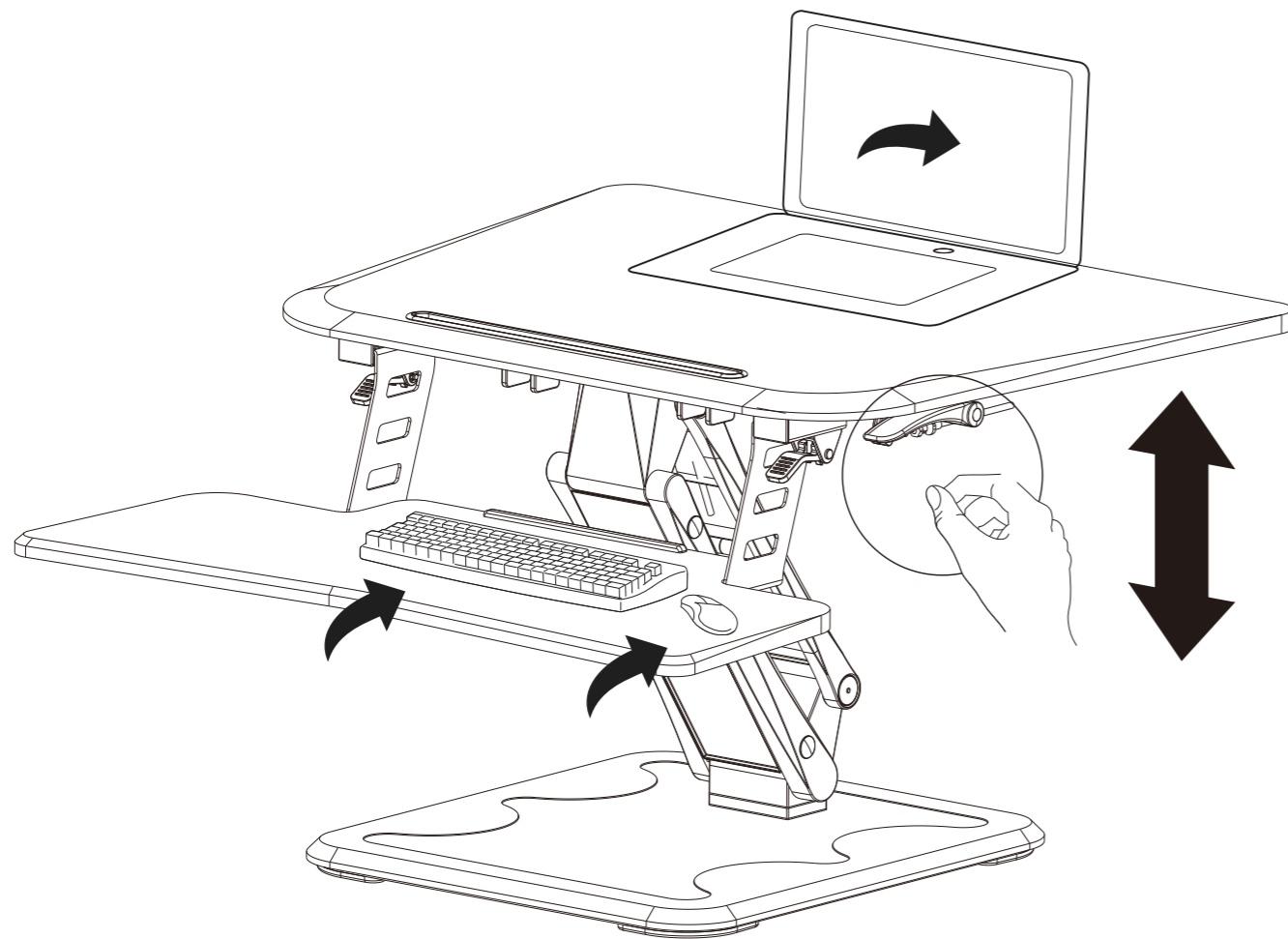
Remove the keyboard tray.

Please open the handle grips on both sides, then take out the keyboard tray.



### Step 3: Place Your Devices Onto The Workstation

Press the handle grips on both sides simultaneously, and adjust the workstation to the proper height. The height adjustable range is 6.7" - 17" (170 - 430mm).



### Step 4: Use stickers to attach monitor to your desktop unit



Caution: Please make sure the desk surface is bigger than the base plate of the workstation. Failure to do so may result in damage to the device or physical injury.

