

# FLEXISPOT

## Item No. M4B/M4W Installation Guide



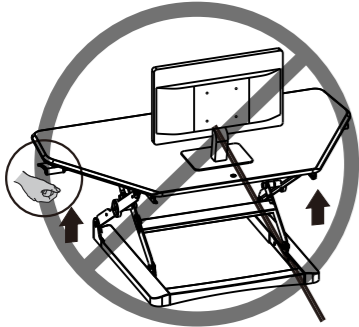
### Warning!

Do not place your hands near the strut.  
The angle of the strut joints will change during the adjustment of the desktop height and it may hurt you.



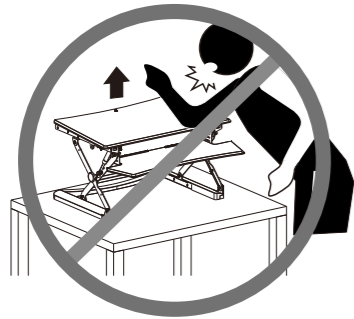
### Caution!

Please make sure all the devices are stably placed on the desktop.  
Do not exceed the edge of the desktop to prevent property damage or personal injury.



### Caution!

Do not tie the cables too tight.  
Allow the devices to move vertically to prevent property damage or personal injury.



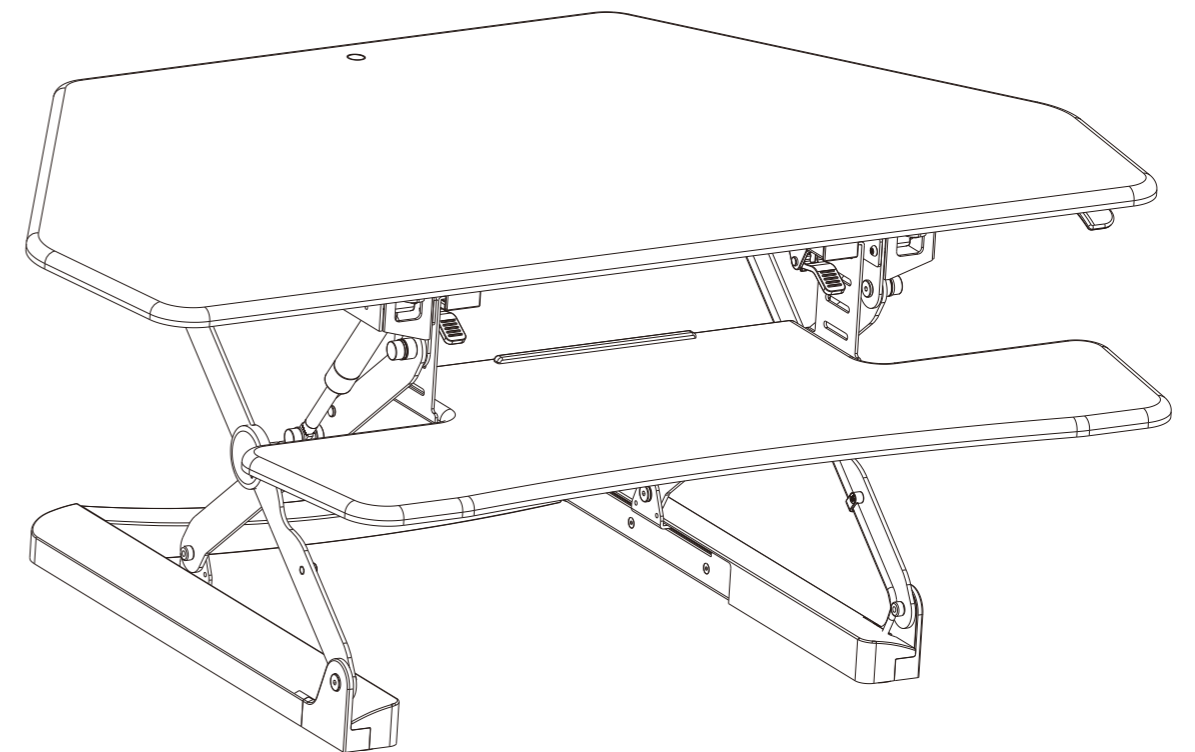
### Warning!

Lift the desktop to the top position before taking off the computer devices in order to prevent property damage or personal injury.

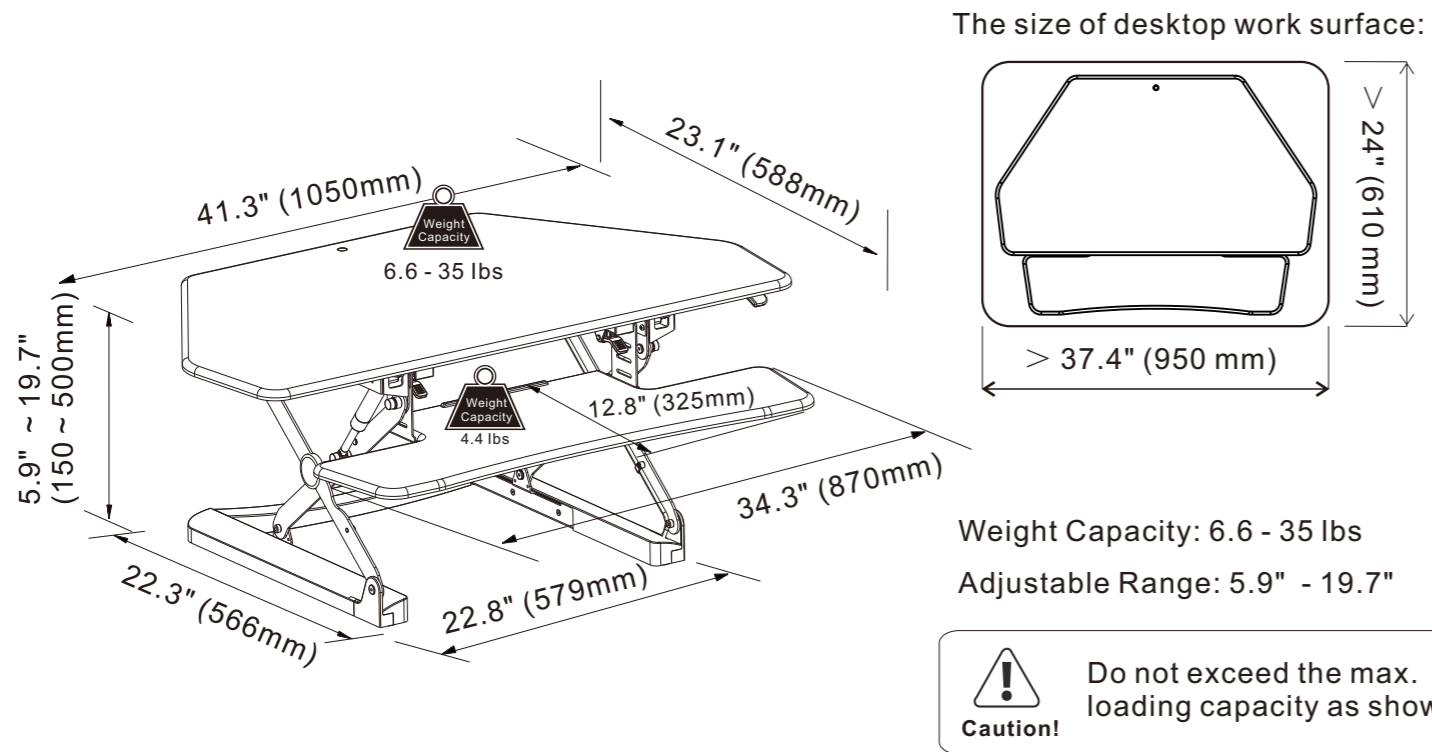


### Warning!

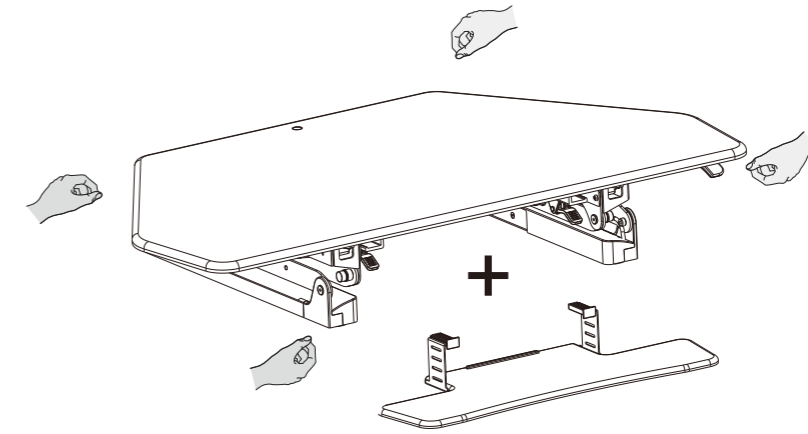
The product must be moved by at least two people to avoid collision of moving parts and prevent property damage or personal injury.



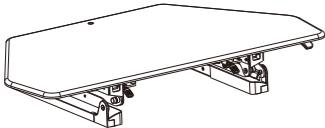
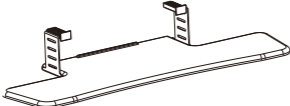
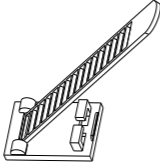

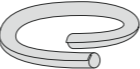
## Specifications



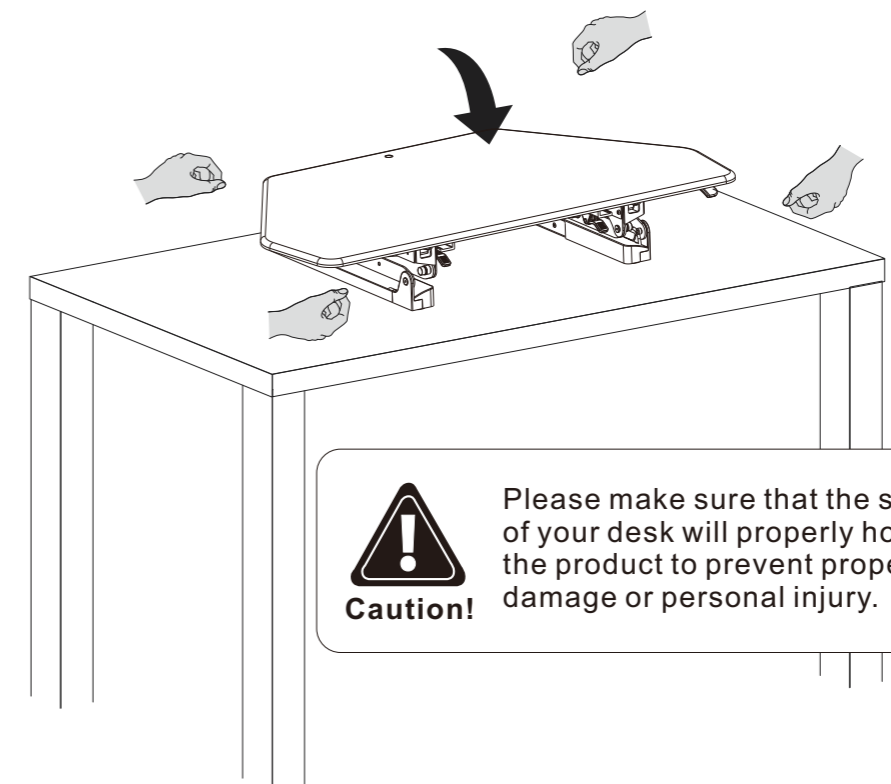
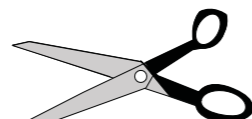
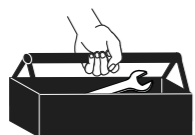
## Step 1



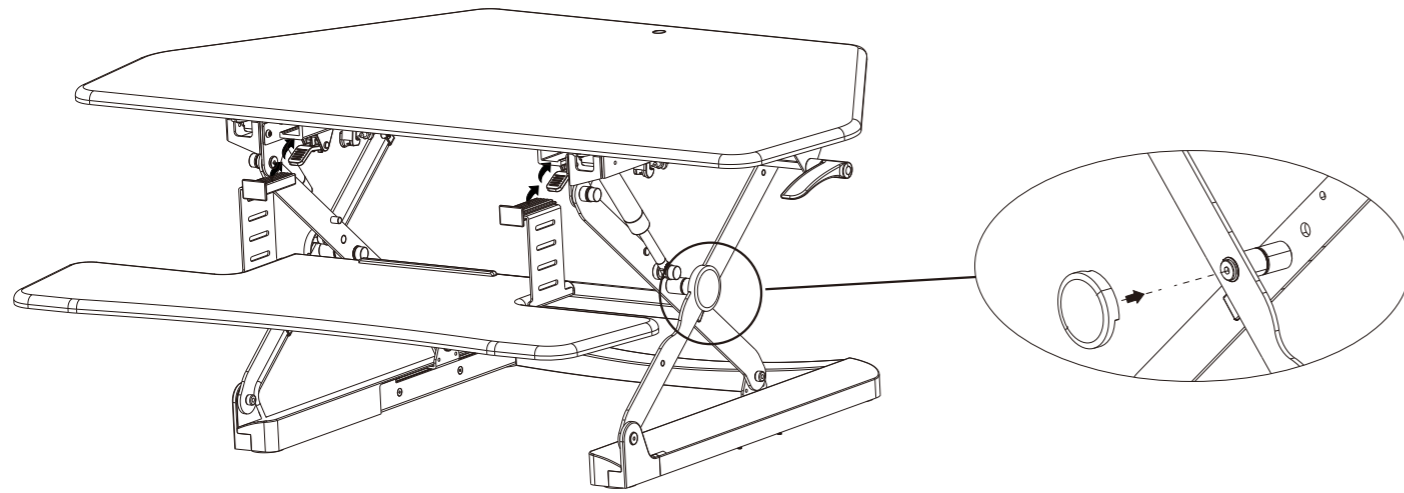
## Parts Included

A	B	C	D	E
				
Desktop x 1	Keyboard Tray x 1	Cable Ties x 4	Decorative Covers x 2	Cable Sleeve x 1

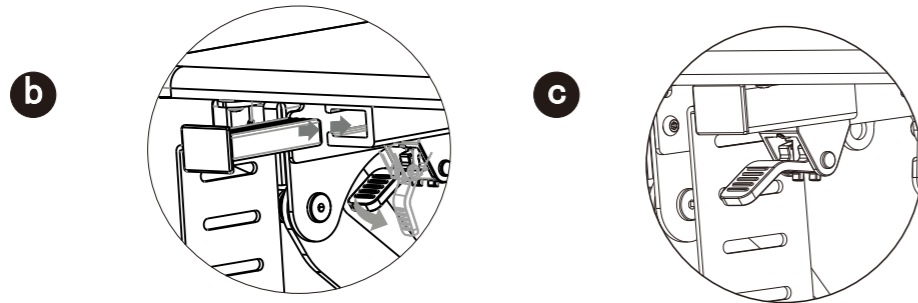
## Tools Needed



## Step 2



**a** Place the decorative covers on both side of the joints.

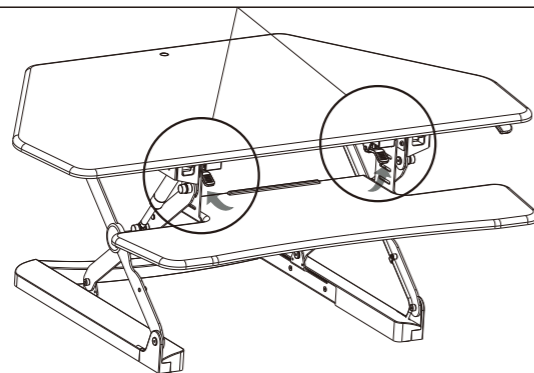


Connect the keyboard tray to the desktop plate

- b. Unlock the handle grips on both sides then attach the keyboard tray as shown in the diagram.
- c. Lock the handles down to finish assembly.

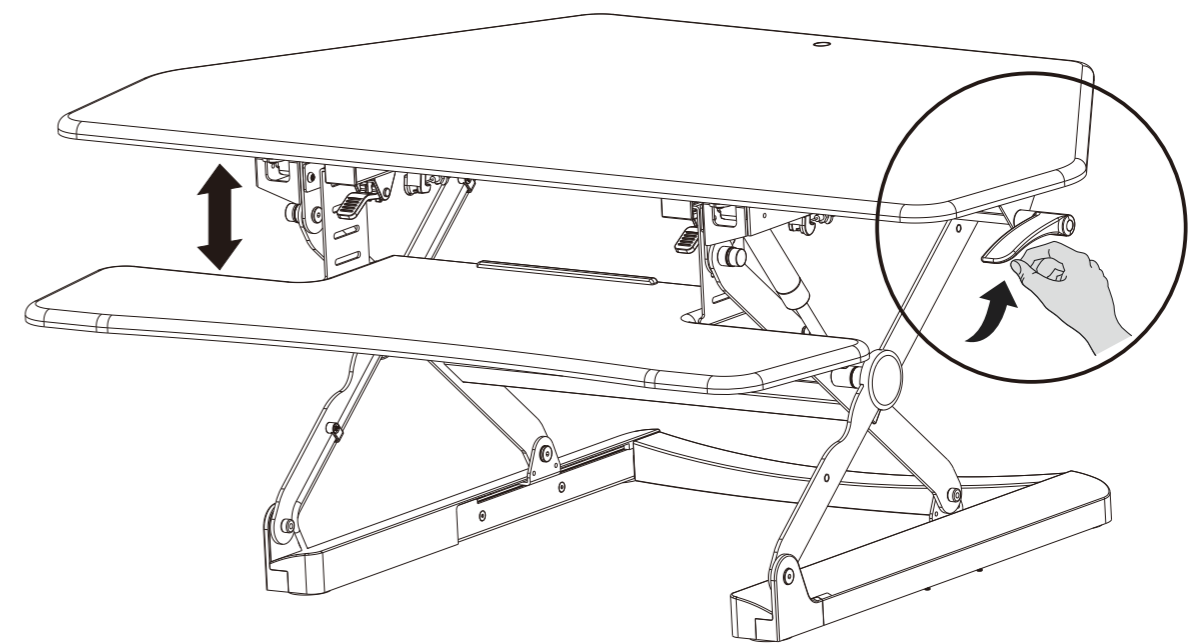
Remove the keyboard tray

Please open the handle grips on both sides, then take out the keyboard tray.



## Step 3

Reach your hands either side of the desktop and squeeze the handle upward to adjust the height depending on your needs. Release the handle and gently push the desktop downward, to ensure that it is locked in place.

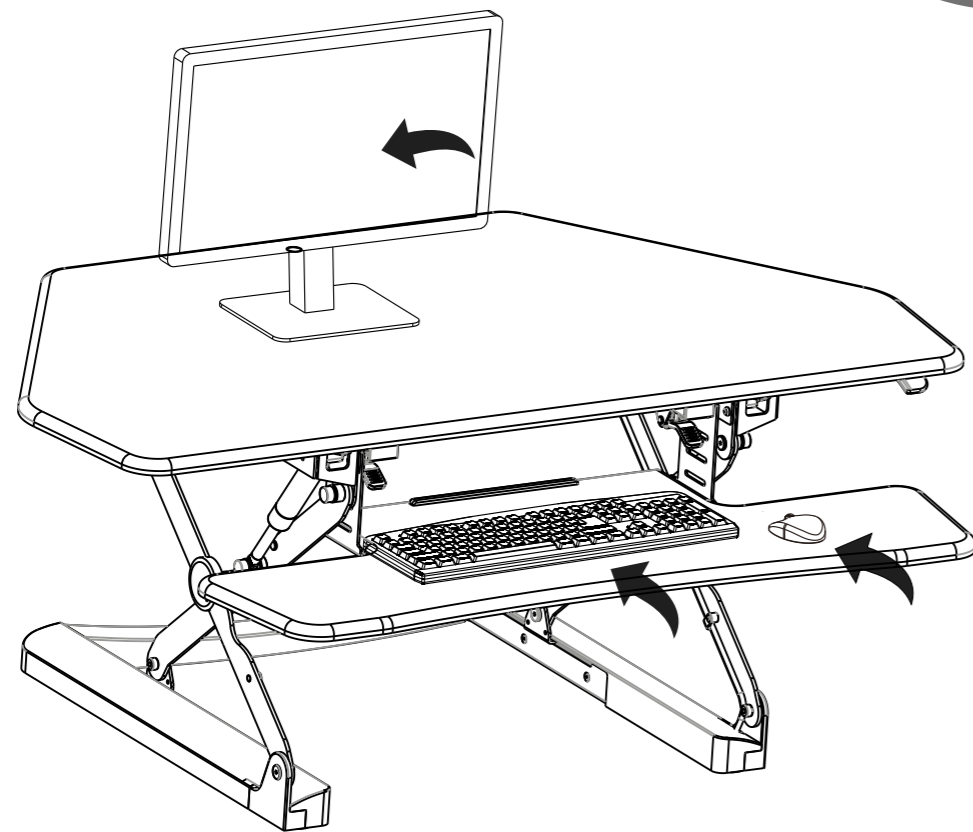


**Caution!**

Do not place your hands near the strut during adjustments. The angle of the strut joints will change during the adjustment of the desktop height and it may hurt you.

## Step 4

Place your computer devices onto the worktop of the sit-stand desk.



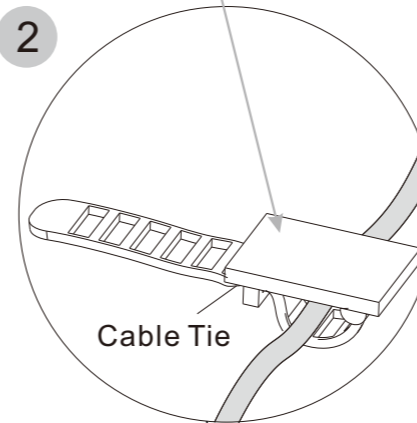
**Caution!**

Please make sure all the devices are stably placed on the desktop. Do not exceed the edge of the desktop to prevent property damage or personal injury.

## Step 5

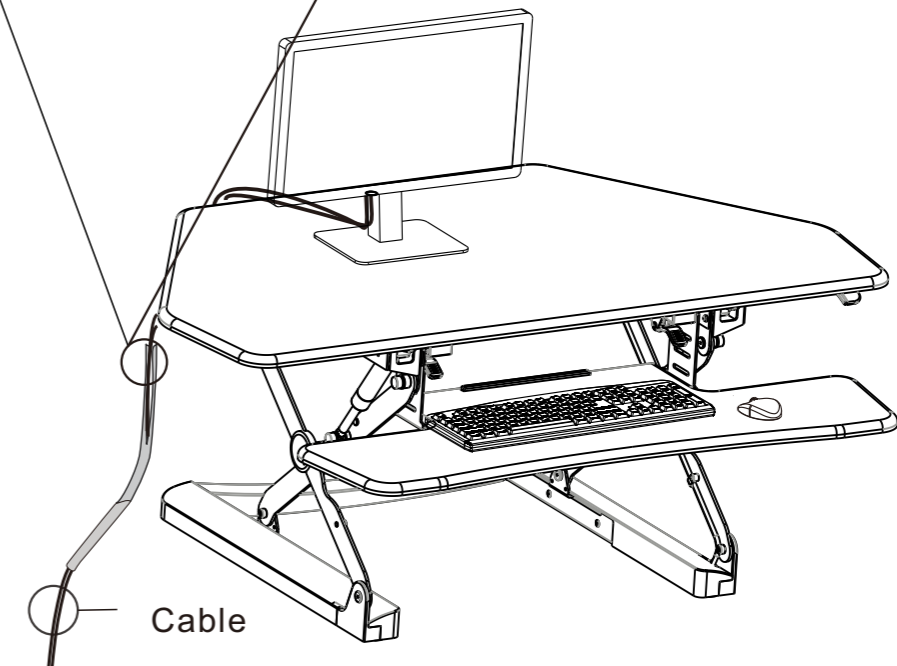
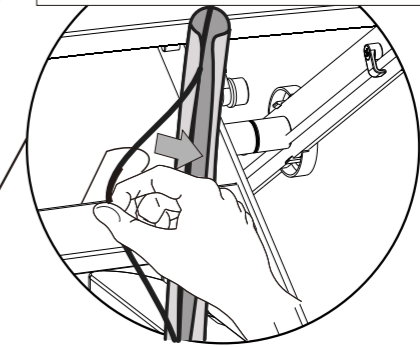
Manage the cables using the cable ties. They can be attached to the surface of the desk.

2



1

Manage the cables using cable sleeve.



**Caution!**

Do not tie the cables too tight. Allow the devices to move vertically to prevent property damage or personal injury.