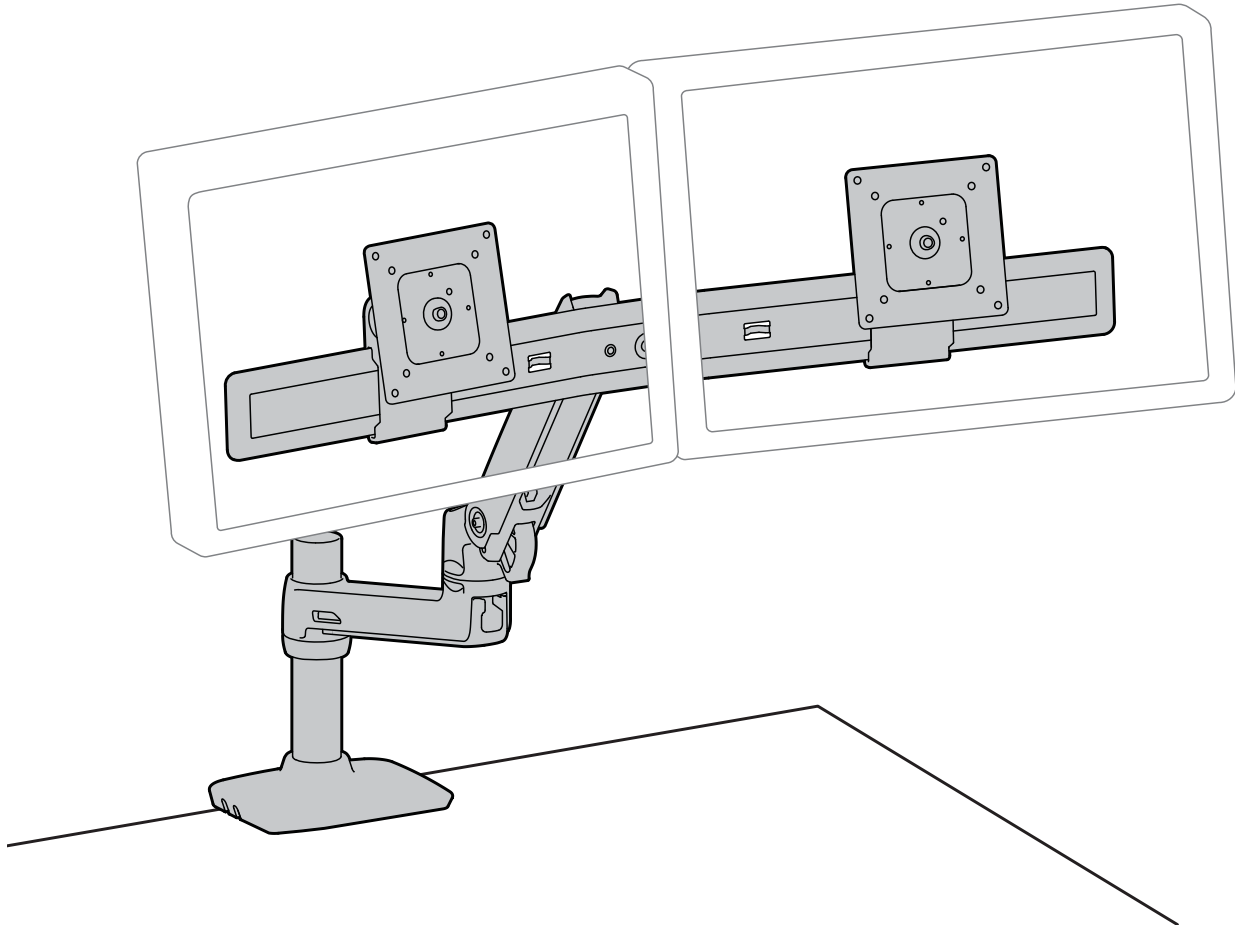


## LX Desk Dual Direct Arm



For the latest User Installation Guide please visit: [www.ergotron.com](http://www.ergotron.com)



User's Guide - English  
Guía del usuario - Español  
Manuel de l'utilisateur - Français  
Gebruikersgids - Deutsch  
Benutzerhandbuch - Nederlands  
Guida per l'utente - Italiano  
Användarhandbok - svenska  
ユーザーガイド : 日本語  
用户指南 : 汉语



Includes  
Constant Force™  
Technology







[www.ergotron.com](http://www.ergotron.com)

USA 1-800-888-8458  
Europe +31 (0)33-45 45 600  
China 400-120-3051

# Hazard Symbols Review

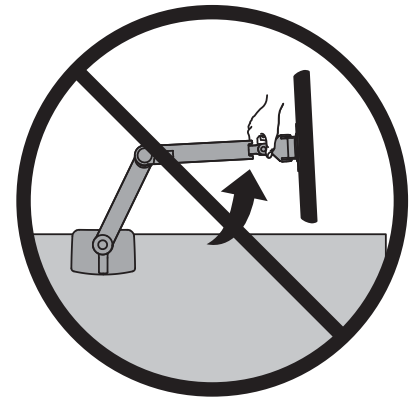
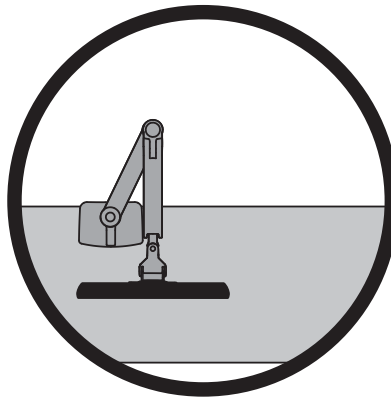
These symbols alert users of a safety condition that demands attention. All users should be able to recognize and understand the significance of the following Safety Hazards if encountered on the product or within the documentation. Children who are not able to recognize and respond appropriately to Safety Alerts should not use this product without adult supervision!

Symbol	Signal Word	Level of Hazard
	<b>NOTE</b>	A NOTE indicates important information that helps you make better use of this product.
	<b>CAUTION</b>	A CAUTION indicates either potential damage to hardware or loss of data and tells you how to avoid the problem.
	<b>WARNING</b>	A WARNING indicates either potential for property damage, personal injury, or death.
	<b>ELECTRICAL</b>	An Electrical indicates an impending electrical hazard which, if not avoided, may result in personal injury, fire and/or death.

## Safety



**CAUTION: DO NOT rotate monitor past rear edge of desk. Doing so will create an unstable situation and may cause equipment damage or personal injury.**



Important! You will need to adjust this product after installation is complete. Make sure all your equipment is properly installed on the product before attempting adjustments. This product should move smoothly and easily through the full range of motion and stay where you set it. If movements are too easy or difficult or if product does not stay in desired positions, follow the adjustment instructions to create smooth and easy movements. Depending on your product and the adjustment, it may take many turns to notice a difference. Any time equipment is added or removed from this product, resulting in a change in the weight of the mounted load, you should repeat these adjustment steps to ensure safe and optimum operation.

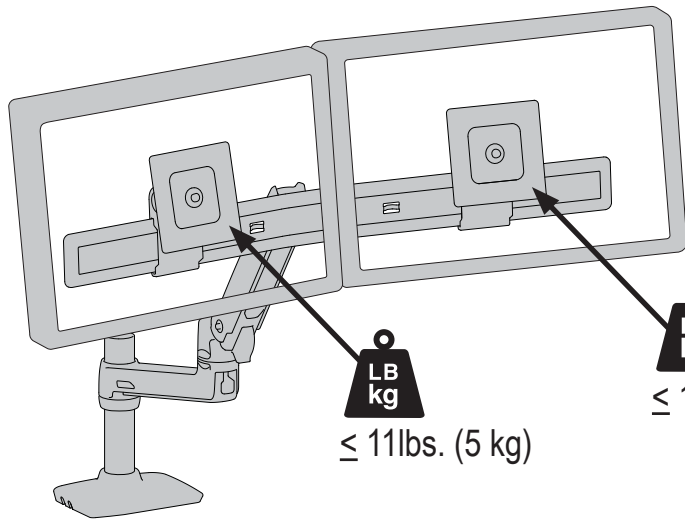
**Warning:** Because mounting surface materials can vary widely, it is imperative that you make sure mounting surface is strong enough to handle mounted product and equipment.

**Caution:** To avoid the potential to pinch cables it is important to follow the cable routing instructions in this manual. Failure to follow these instructions may result in equipment damage or personal injury.

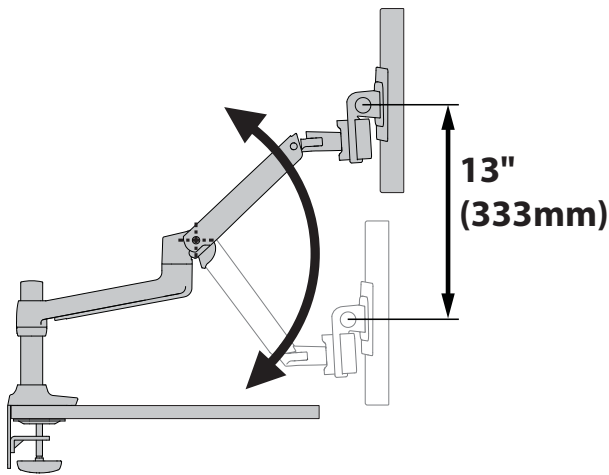
**WARNING:** **Stored Energy Hazard:** The arm mechanism is under tension and will move up rapidly, on its own, as soon as attached equipment is removed. For this reason, **DO NOT** remove equipment unless the arm has been moved to the highest position! Failure to follow this instruction may result in serious personal injury and/or equipment damage!



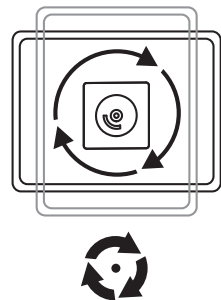
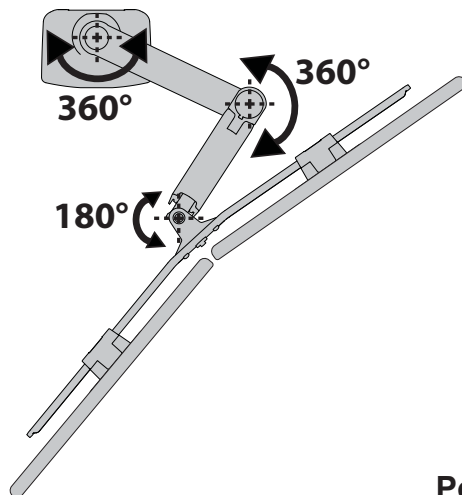
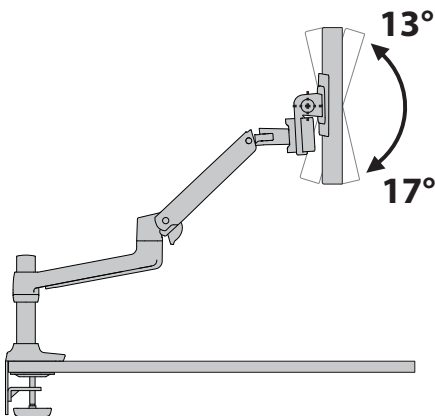
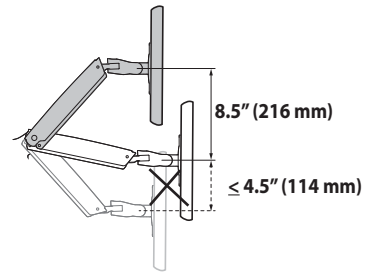
# Features & Specifications



⚠ CAUTION: DO NOT EXCEED MAXIMUM LISTED WEIGHT CAPACITY. SERIOUS INJURY OR PROPERTY DAMAGE MAY OCCUR!



\* The lower most range of motion for vertical lift may decrease up to 4.5" (114 mm) when arm is adjusted to hold over 20lbs (9 kgs).



Portrait/Landscape Rotation

# Components

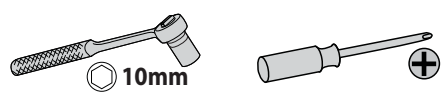


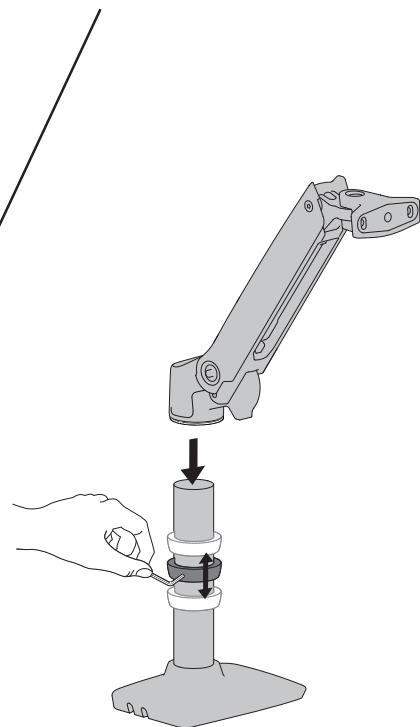
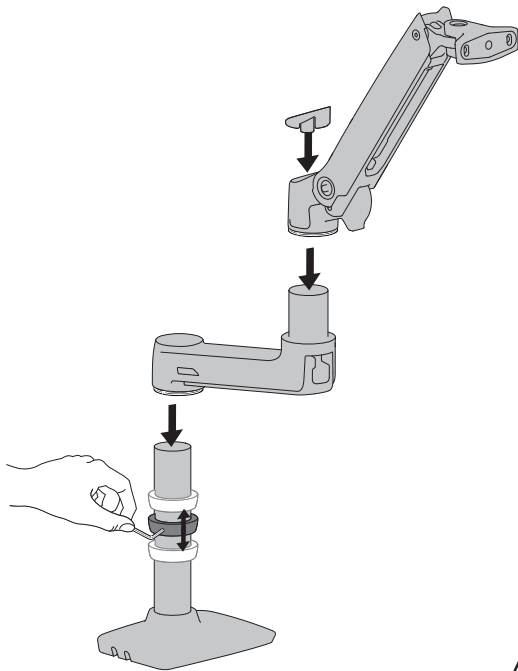
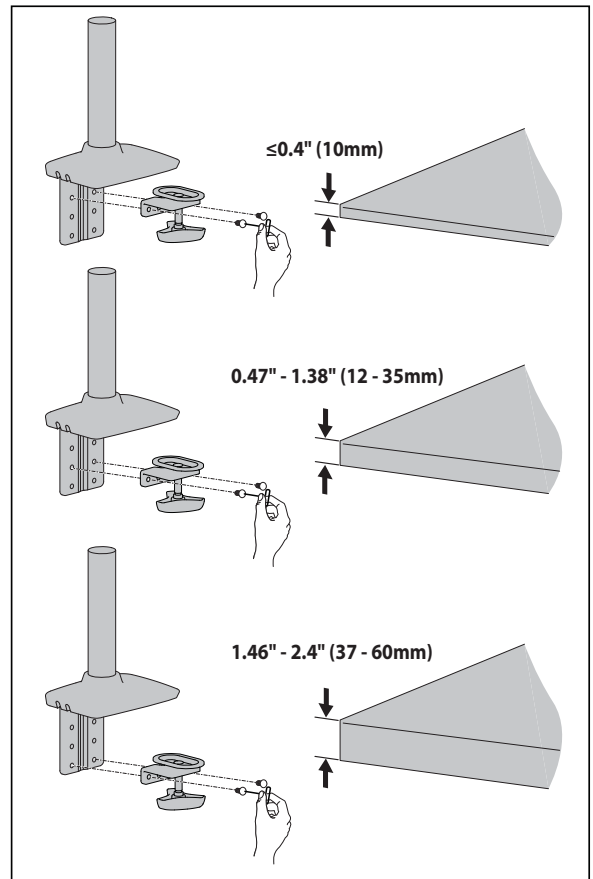
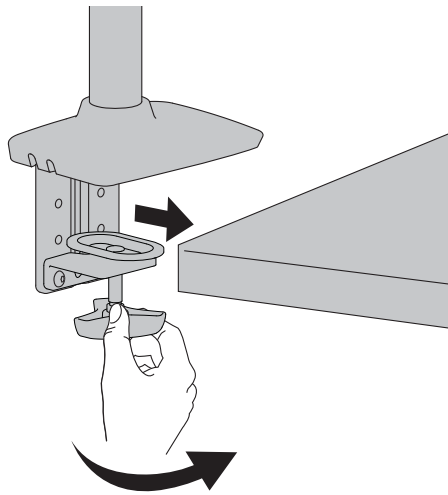
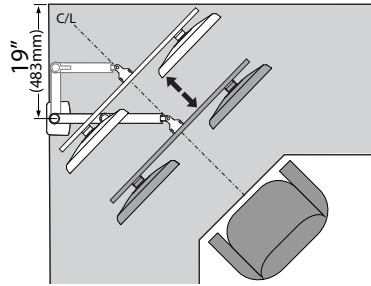
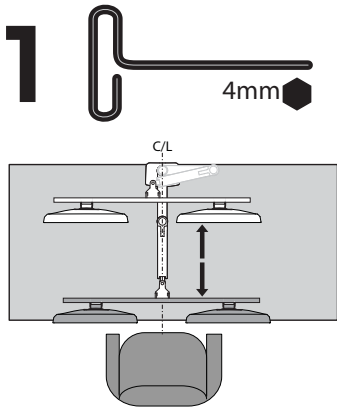
	A	B	C	D
1	1x 		2x 	2x 
2	1x 	1x 	1x 	1x 
3	10x  M4 x 10mm 10x  M4 x 10mm	2x  M4 x 8mm	3x  M4 x 6mm	1x  4 mm
4	5x 	2x 	2x 	1x  2.5mm

ENGLISH

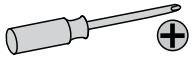


## Tools Needed

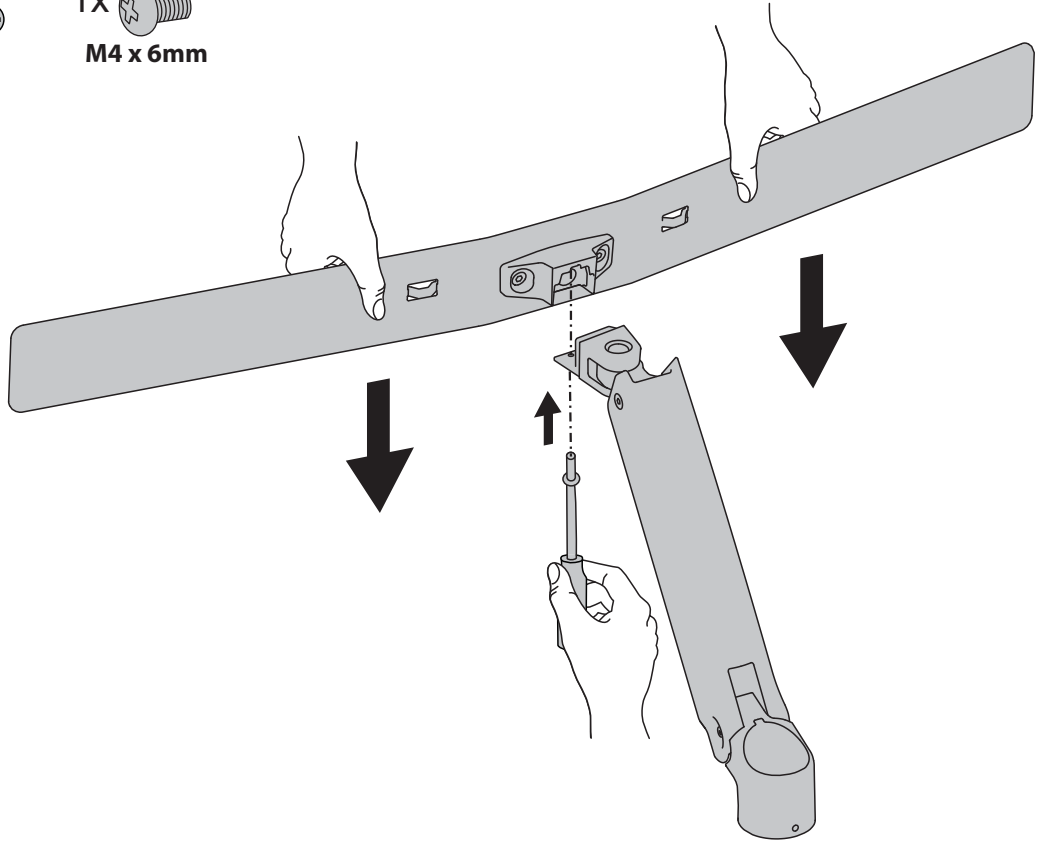




3



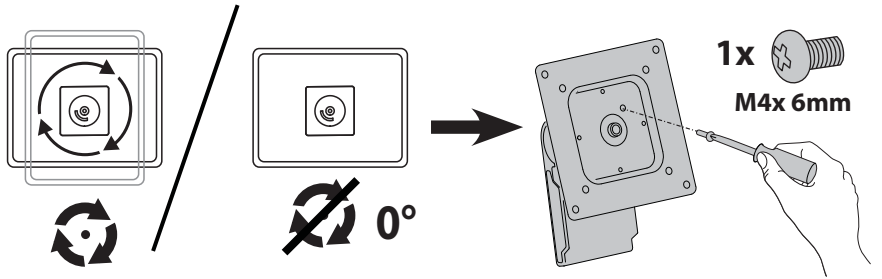
1x  
M4 x 6mm



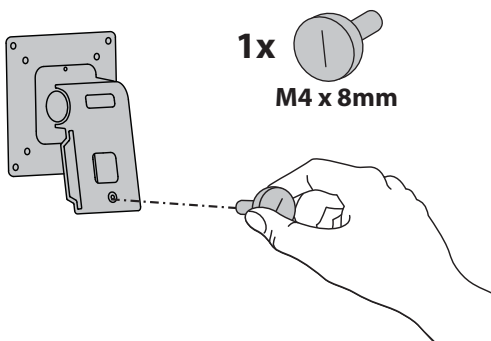
ENGLISH

4

**OPTIONAL:** Insert stop screw to lock portrait/landscape monitor rotation.

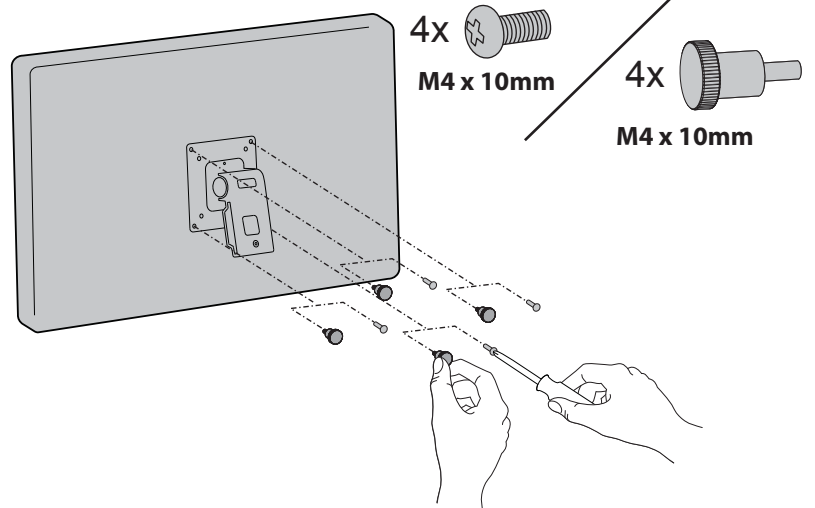


**a** Loosely thread thumb screws into mounting brackets.



1x  
M4 x 8mm

**b** Attach monitors to mounting brackets.

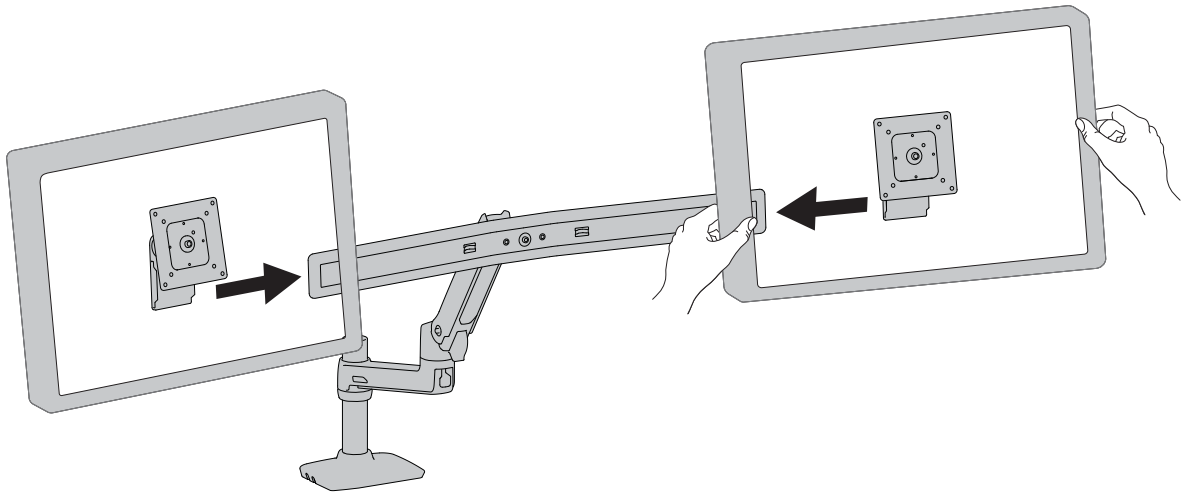


4x  
M4 x 10mm

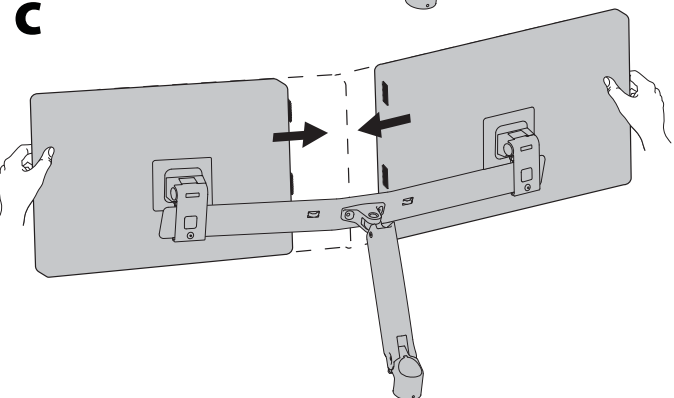
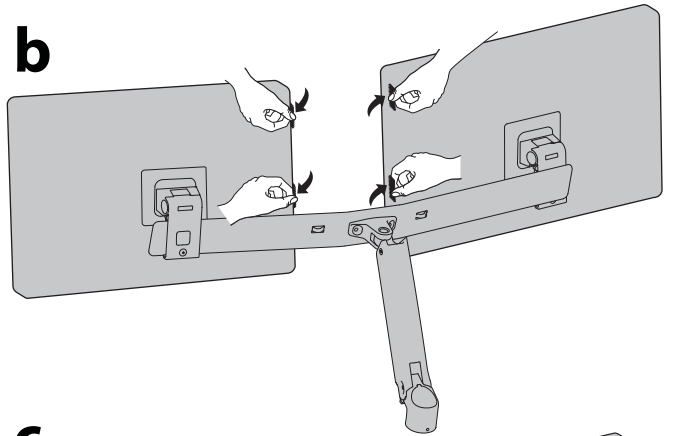
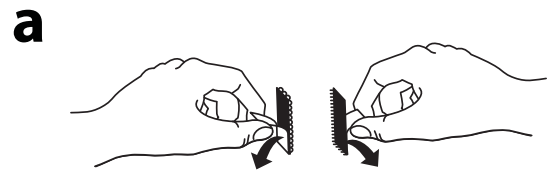
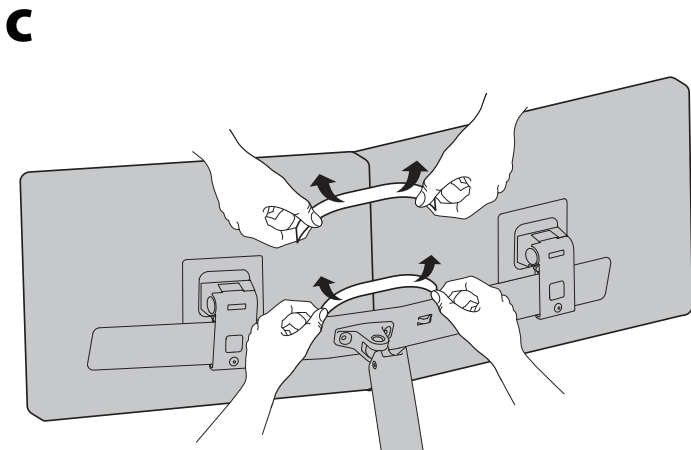
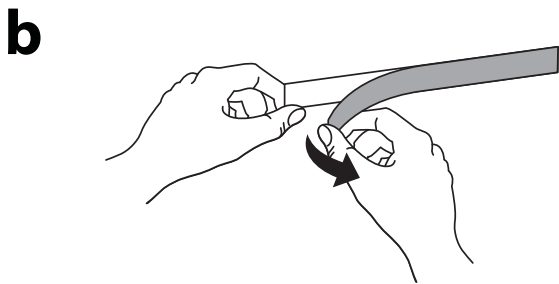
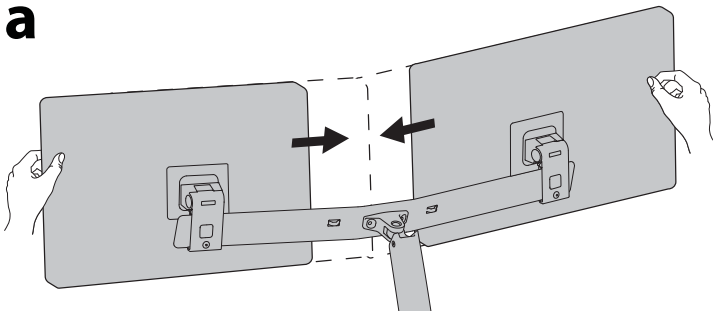
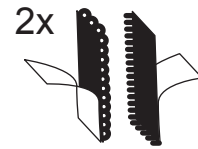
4x  
M4 x 10mm

# 5

Slide monitor onto crossbar.



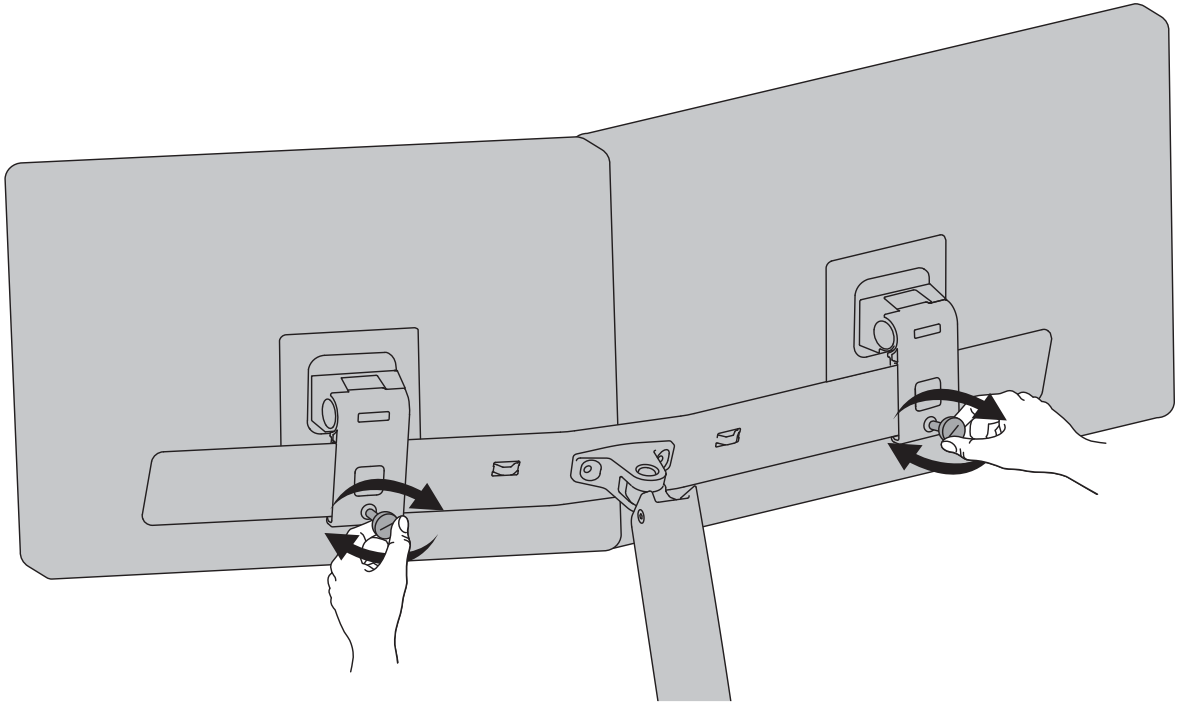
# 6



**7** Tighten thumb screws to secure monitors.

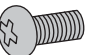


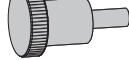
M4 x 8mm

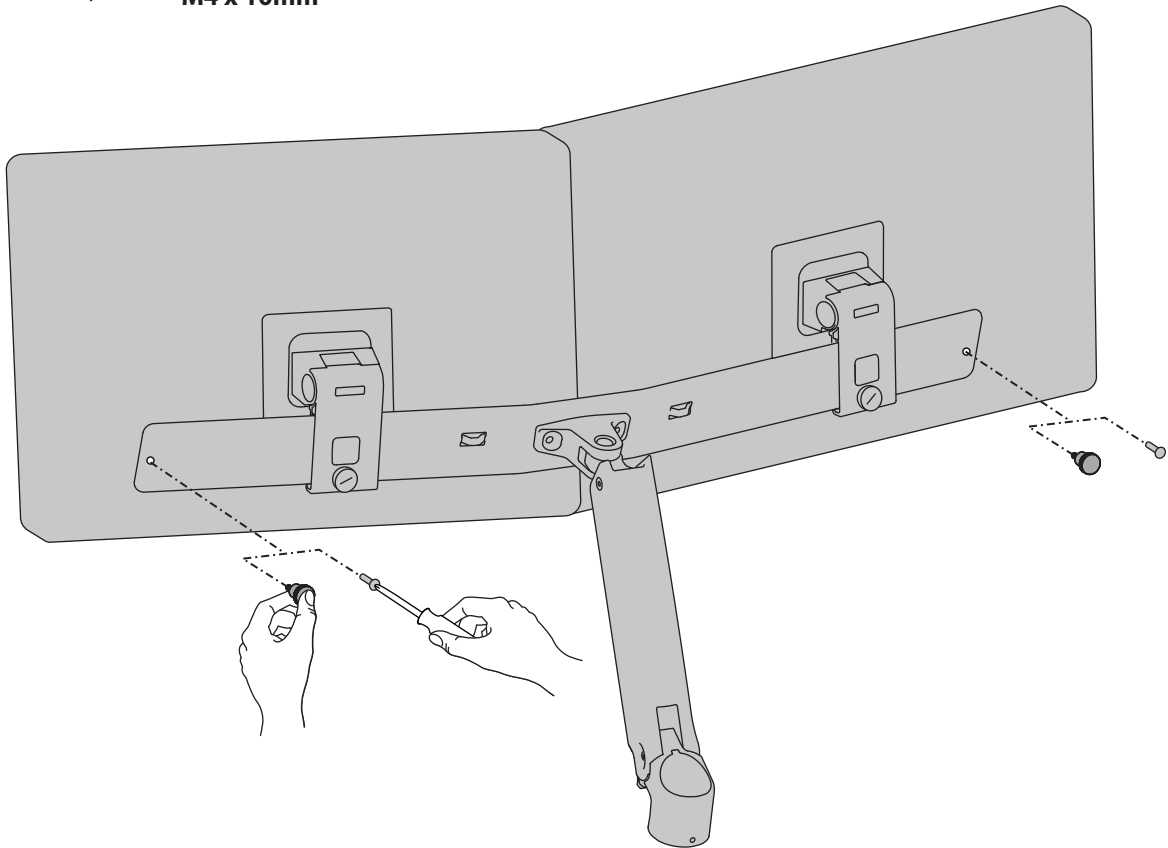


ENGLISH

**8**

2x   
M4 x 10mm

2x   
M4 x 10mm





# 9

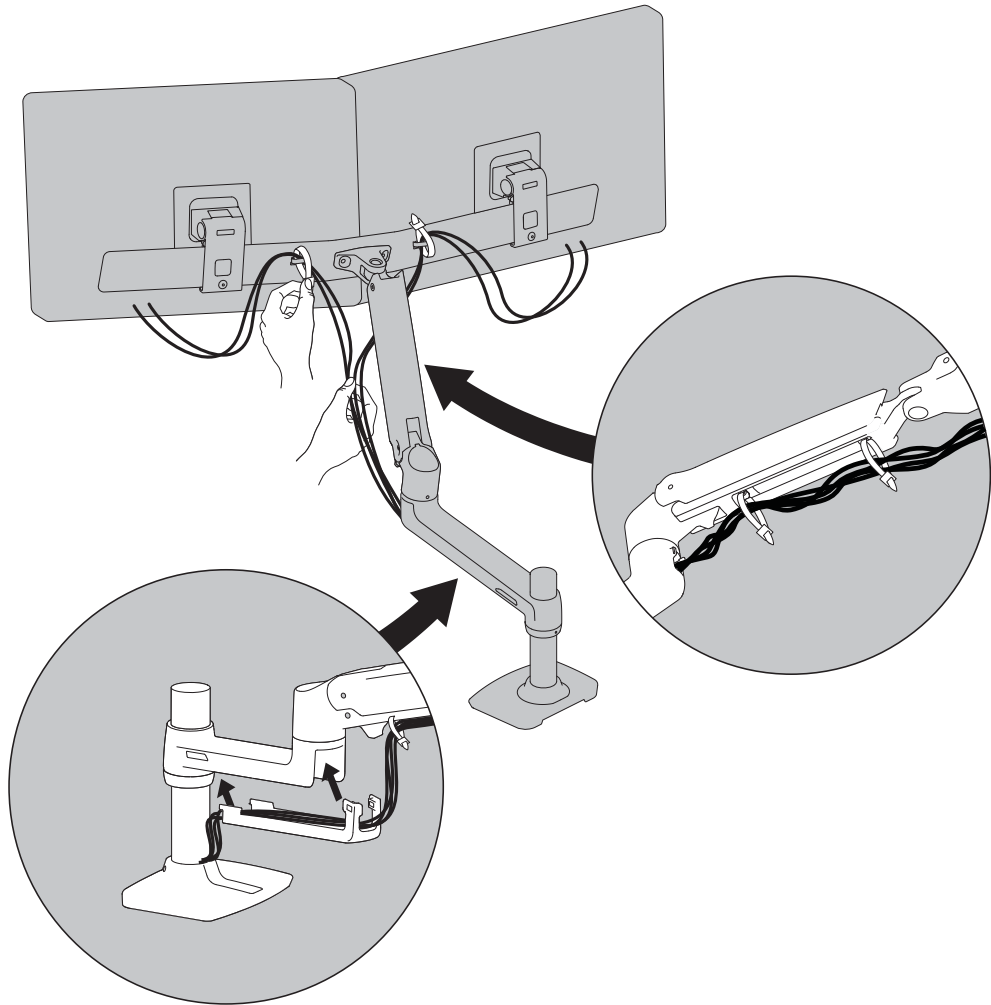


**NOTE:** Leave enough slack in cable to allow full range of motion.



**Caution:** To avoid the potential to pinch cables it is important to follow the cable routing instructions in this manual. Failure to follow these instructions may result in equipment damage or personal injury.

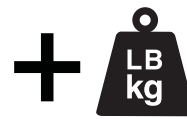
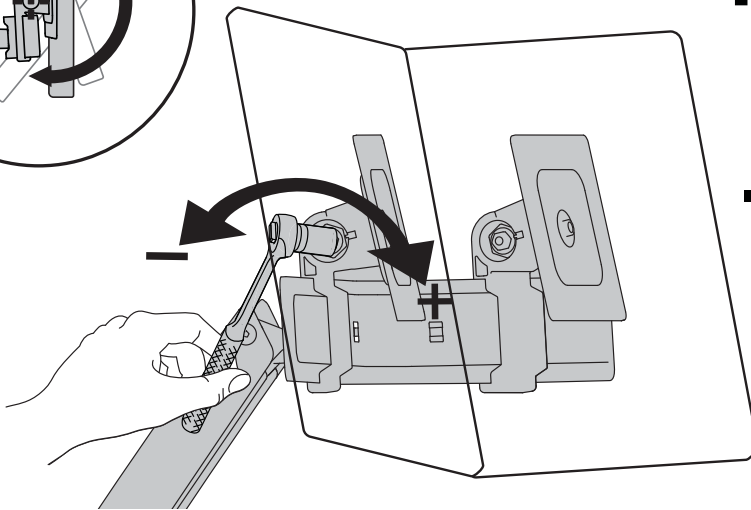
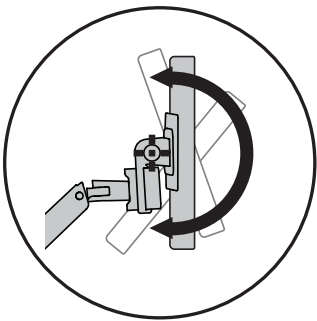
4x 



# 10 Adjustment Step

Important! You will need to adjust this product after installation is complete. Make sure all your equipment is properly installed on the product before attempting adjustments. This product should move smoothly and easily through the full range of motion and stay where you set it. If movements are too easy or difficult or if product does not stay in desired positions, follow the adjustment instructions to create smooth and easy movements. Depending on your product and the adjustment, it may take many turns to notice a difference. Any time equipment is added or removed from this product, resulting in a change in the weight of the mounted load, you should repeat these adjustment steps to ensure safe and optimum operation.

## a Pivot adjustment.



### Increase Lift Strength

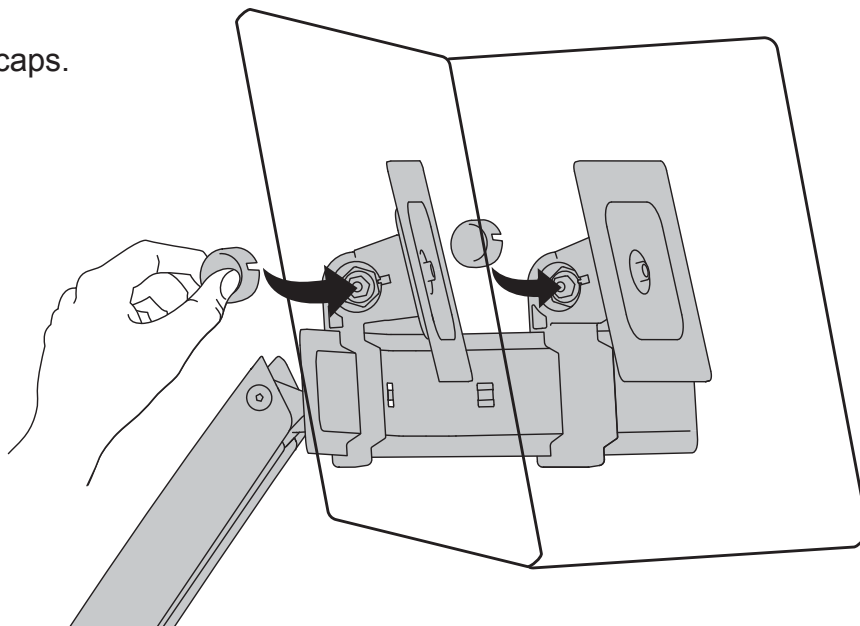
If the mounted weight is too heavy or this product does not stay up when raised, then you'll need to increase Lift Strength:



### Decrease Lift Strength

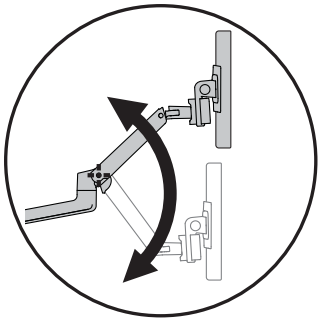
If the mounted weight is too light or this product does not stay down when lowered, then you'll need to decrease Lift Strength:

2x  Attach caps.



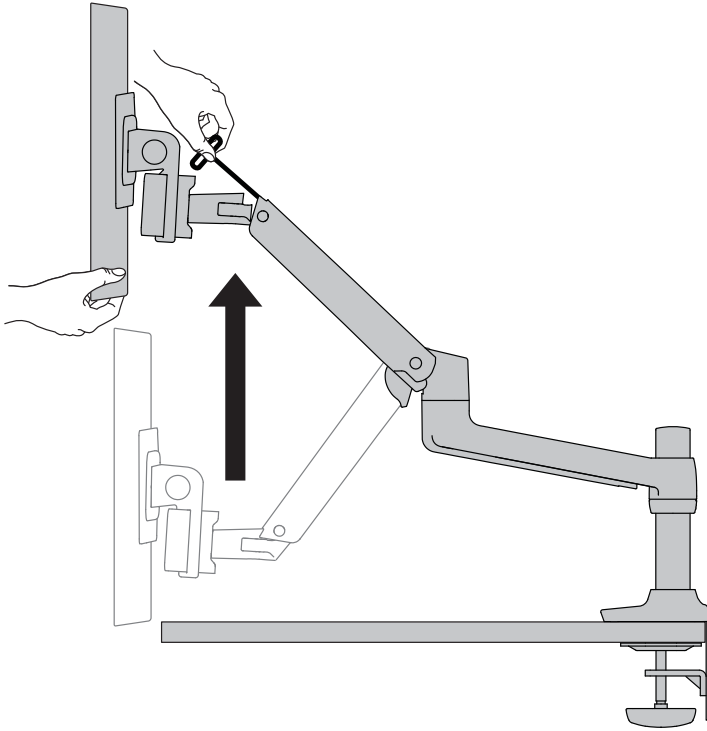
**NOTE: Align slot on cap with slot in mounting bracket when installing caps.**

**b**



Lift - Up and Down

**1** Raise arm to highest position.



**Increase Lift Strength**

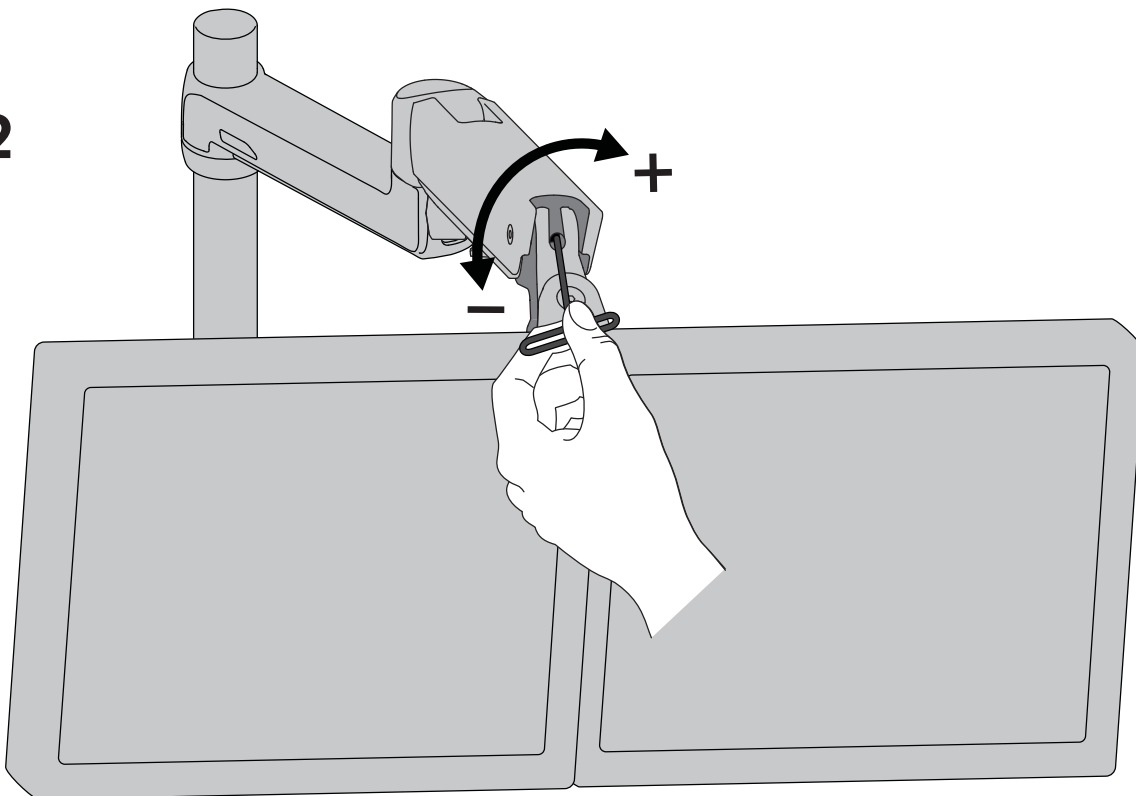
If the mounted weight is too heavy or this product does not stay up when raised, then you'll need to increase Lift Strength:



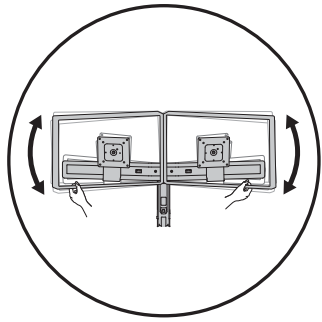
**Decrease Lift Strength**

If the mounted weight is too light or this product does not stay down when lowered, then you'll need to decrease Lift Strength:

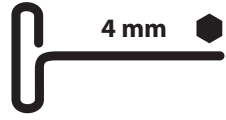
**2**



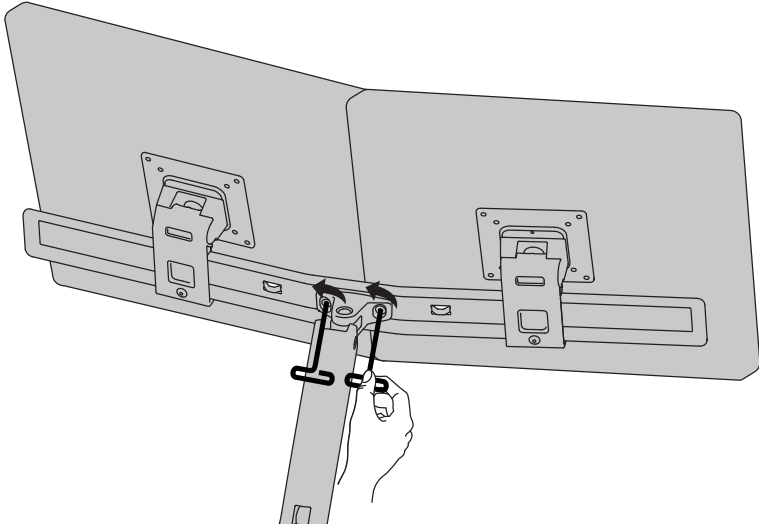
**C**



Level Crossbar

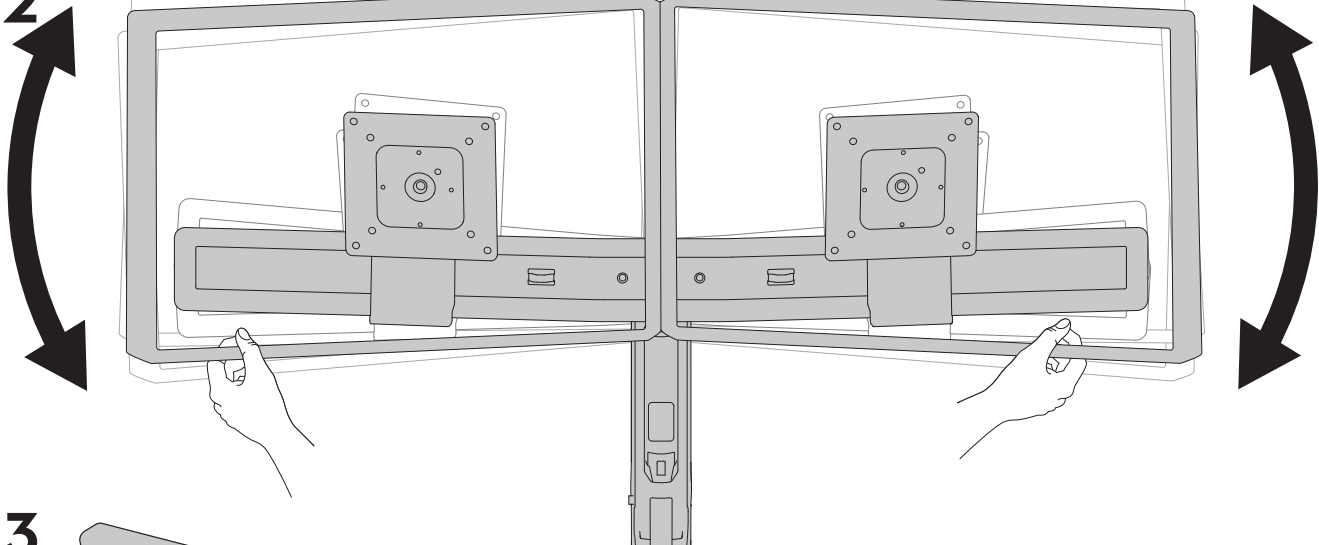


**1**

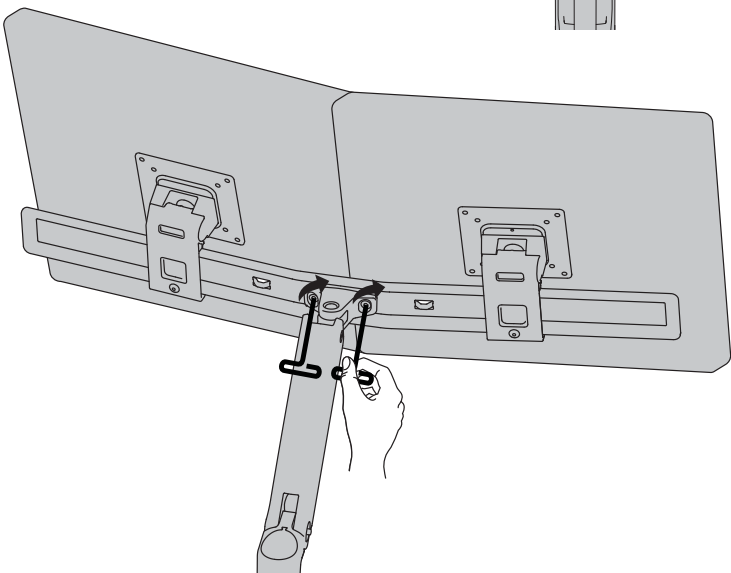


ENGLISH

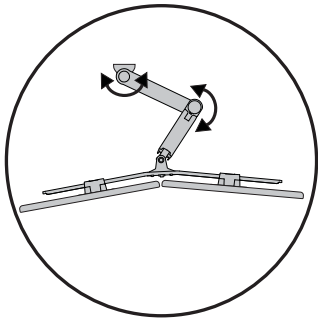
**2**



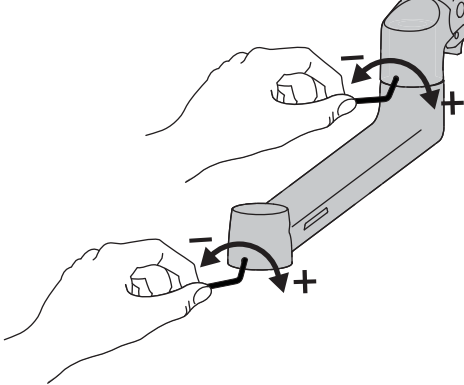
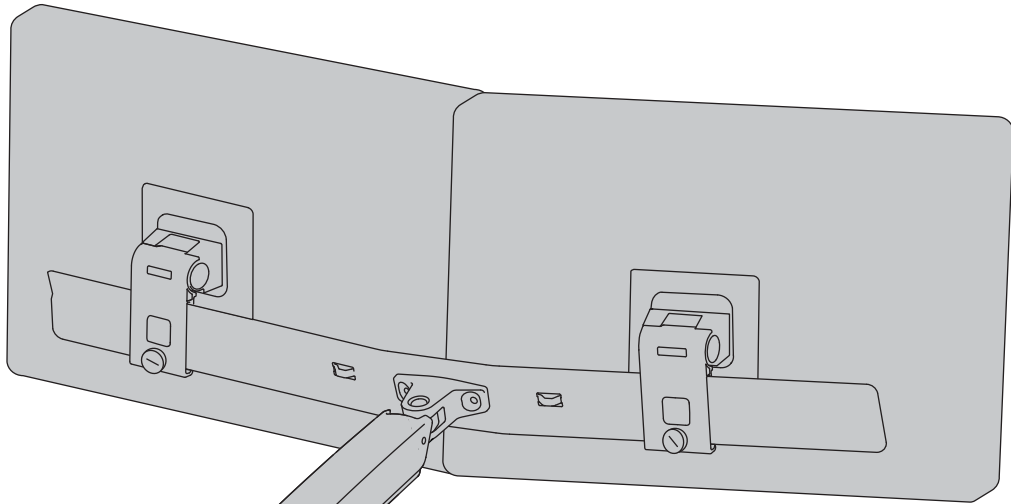
**3**



d



Arm Swing – Side-to-side



2.5mm

+



**Increase Friction**

If this product moves too easily from side-to-side, then you'll need to increase friction:

-



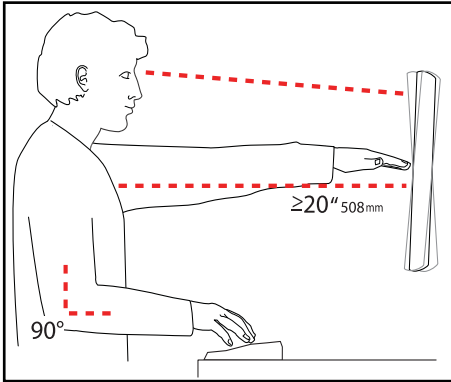
**Decrease Friction**

If this product is too difficult to move from side-to-side, then you'll need to decrease friction:



**CAUTION: DO NOT remove screw. Removing screw may cause damage to equipment.**

## Set Your Workstation to Work For YOU!



Learn more about ergonomic computer use at:  
[www.computingcomfort.org](http://www.computingcomfort.org)

- Height** Position top of screen slightly below eye level.  
Position keyboard at about elbow height with wrists flat.
- Distance** Position screen an arm's length from face—at least 20" (508mm).  
Position keyboard close enough to create a 90° angle in elbow.
- Angle** Tilt screen to eliminate glare.  
Tilt the keyboard back 10° so that your wrists remain flat.

To Reduce Fatigue  
Breathe - Breathe deeply through your nose.  
Blink - Blink often to avoid dry eyes.  
Break • 2 to 3 minutes every 20 minutes  
• 15 to 20 minutes every 2 hours.

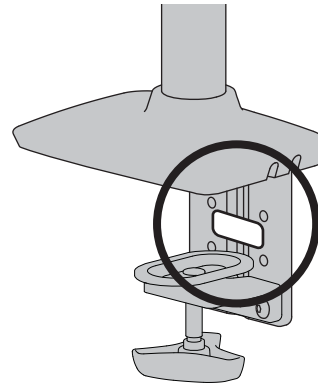
For Warranty visit: [www.ergotron.com/warranty](http://www.ergotron.com/warranty)

For Service visit: [www.ergotron.com](http://www.ergotron.com)

For local customer care phone numbers visit: <http://contact.ergotron.com>



**NOTE:** When contacting customer service, reference the serial number.



### Americas Sales and Corporate Headquarters

1181 Trapp Rd.  
St. Paul, MN USA  
(800) 888-8458  
+1-651-681-7600  
[www.ergotron.com](http://www.ergotron.com)  
[sales@ergotron.com](mailto:sales@ergotron.com)

### EMEA Sales

Amersfoort, The Netherlands  
+31 33 45 45 600  
[www.ergotron.com](http://www.ergotron.com)  
[info.eu@ergotron.com](mailto:info.eu@ergotron.com)

### APAC Sales

Tokyo, Japan  
[www.ergotron.com](http://www.ergotron.com)  
[apaccustomerservice@ergotron.com](mailto:apaccustomerservice@ergotron.com)

### Worldwide OEM Sales

[www.ergotron.com](http://www.ergotron.com)  
[info.oem@ergotron.com](mailto:info.oem@ergotron.com)

## ERGOTRON®

While Ergotron, Inc. makes every effort to provide accurate and complete information on the installation and use of its products, it will not be held liable for any editorial errors or omissions (including those made in the process of translation from English to another language), or for incidental, special or consequential damages of any nature resulting from furnishing this instruction and performance of equipment in connection with this instruction. Ergotron, Inc. reserves the right to make changes in the product design and/or product documentation without notification to its users. For the most current product information, or to know if this document is available in languages other than those herein, please contact Ergotron. No part of this publication may be reproduced, stored in a retrieval system, or transmitted in any form or by any means, electronic, mechanical, photocopying, recording or otherwise without the prior written consent of Ergotron, Inc., 1181 Trapp Road, Eagan, Minnesota, 55121, USA. Patents Pending and Patented U.S. & Foreign. Ergotron is a registered trademark of Ergotron, Inc.

© 2016 Ergotron, Inc. All rights reserved.