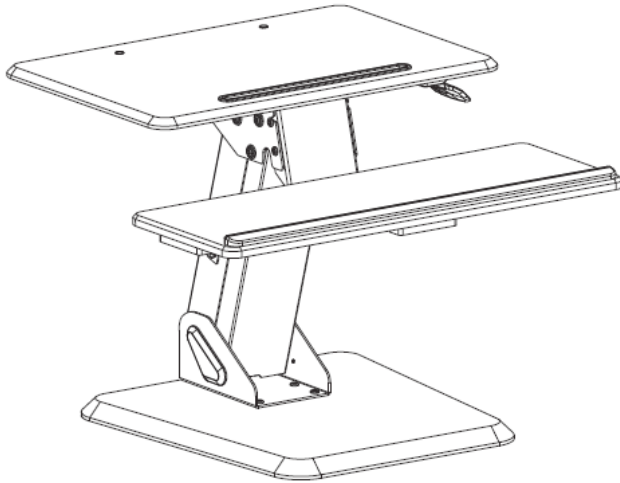




23.75" x 15.75" Sit-Stand Desktop Workstation Instruction Manual



SKU: DESK-V011G



Scan the QR code with your mobile device or follow the link for helpful videos and specifications related to this product.

<https://vivo-us.com/products/desk-v011g>



help@vivo-us.com



www.vivo-us.com

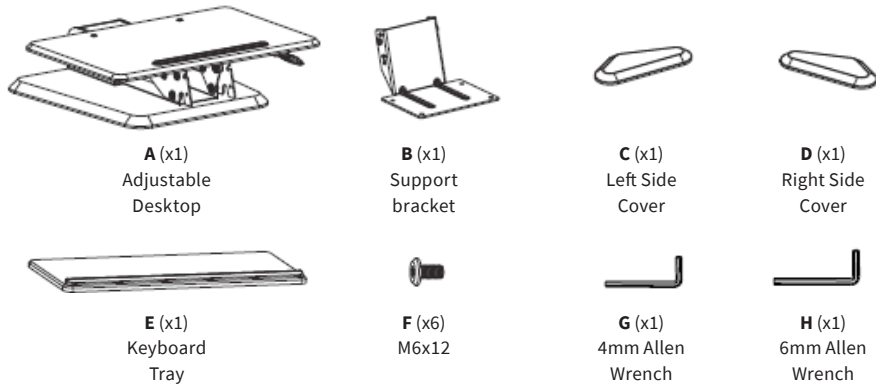


1-800-371-5654

! WARNING!

If you do not understand these directions, or if you have any doubts about the safety of the installation, please call a qualified technician. Check carefully to make sure there are no missing or defective parts. Improper installation may cause damage or serious injury. Do not use this product for any purpose that is not explicitly specified in this manual and do not exceed weight capacity. We cannot be liable for damage or injury caused by improper mounting, incorrect assembly, or inappropriate use.

PACKAGE CONTENTS



! WARNING
PINCH POINT

DO NOT place hands on or near support bars. Moving parts can crush and cut. Pinch points are created during lifting and lowering the worksurface. Failure to follow these instructions may result in serious personal injury.



DO NOT EXCEED WEIGHT CAPACITY.

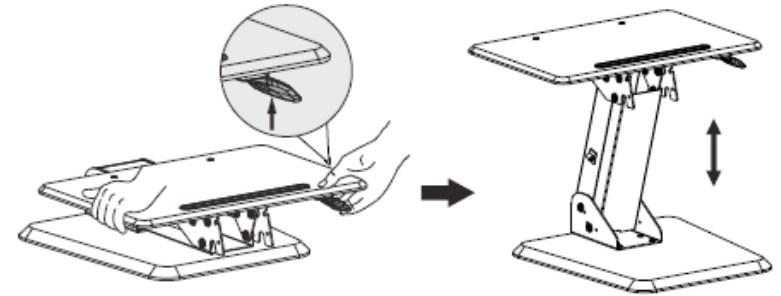


Failure to do so may result in serious injury.

ASSEMBLY STEPS

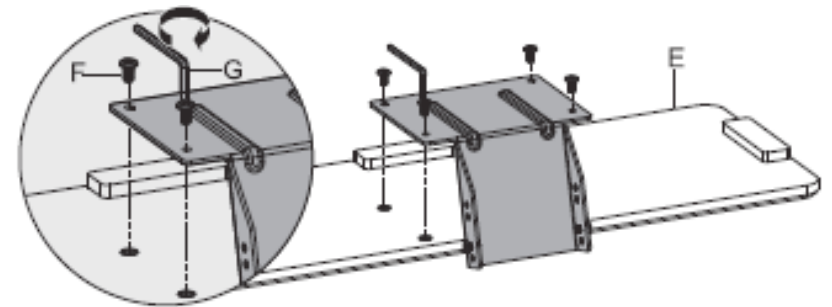
STEP 1

Lift the handle to raise the desktop (A).



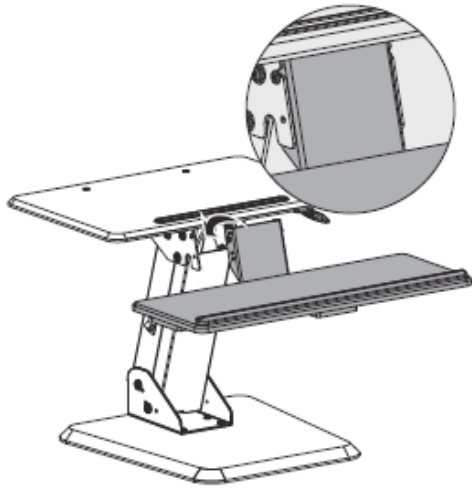
STEP 2

Assemble keyboard tray (E) to support bracket (B) using M6x12 bolts (F) and tighten with 4mm Allen wrench (G).



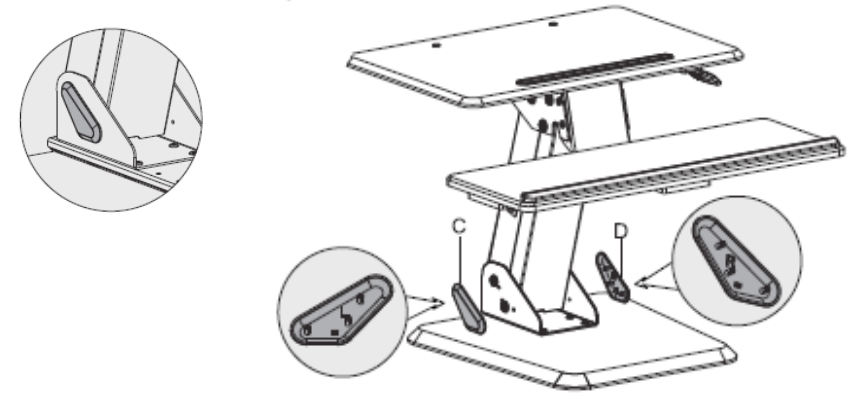
STEP 3

Hang assembled keyboard tray in slots on the front of the desktop.



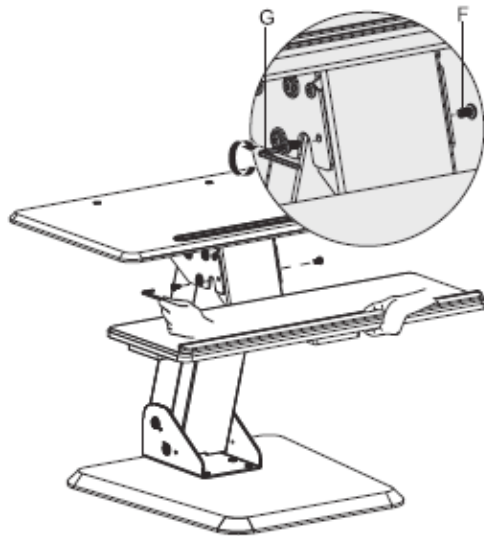
STEP 5

Press left and right side covers (C, D) into place as shown.



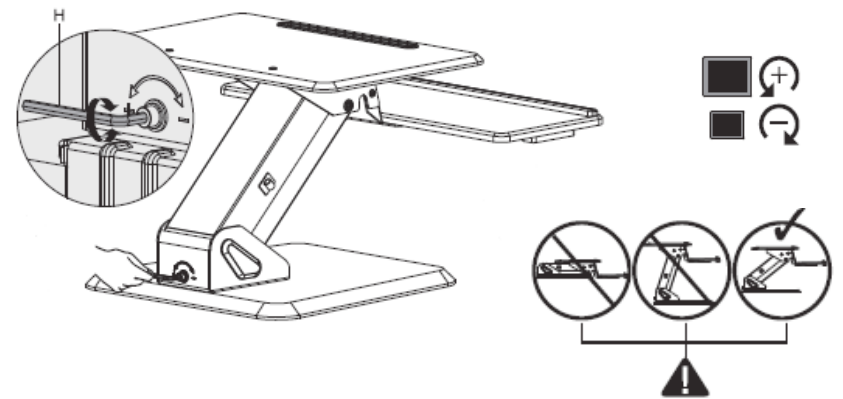
STEP 4

Insert M6x12 bolts (F) into each side of support bracket and tighten with 4mm Allen wrench.



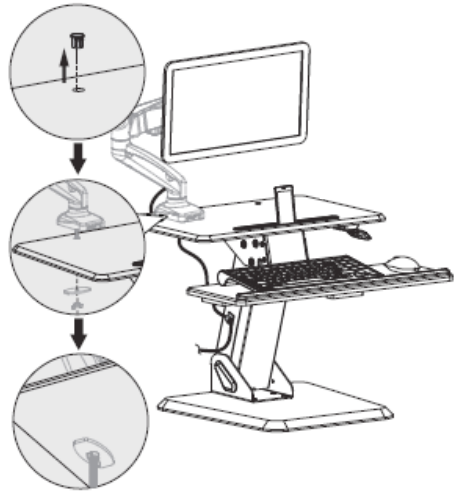
STEP 6

Adjust gas spring lift strength using 6mm Allen key (H). Counter-clockwise will increase strength, and clockwise will decrease.



STEP 7

Place monitor, keyboard and other items on desk. If attaching a grommet compatible monitor mount, remove the plug on the left or right side of the desktop and attach the mount to the open hole. Organize cables using cable clips.



STEP 8

The Allen keys can be stored in one of the cable clips for later use.



CAUTION!



Keep monitor and laptop base fully on the desktop.



Follow the cable routing instructions to avoid the potential to pinch cables.



Leave enough slack in cable to allow for full range of vertical motion (15" / 38 cm).



Raise desktop slowly to keep items stable.

Failure to follow these instructions may result in property damage and/or personal injury.



Love your new VIVO setup and want to share?

Tag us in your photo! **@vivo_us**

Last Updated: 9/25/2018



If any parts are received damaged or defective, please contact us. We are happy to replace parts to ensure you have a fully functioning product.



help@vivo-us.com



www.vivo-us.com



1-800-371-5654

For more VIVO products, check out our website at:
www.vivo-us.com.