

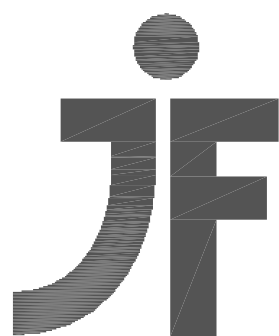
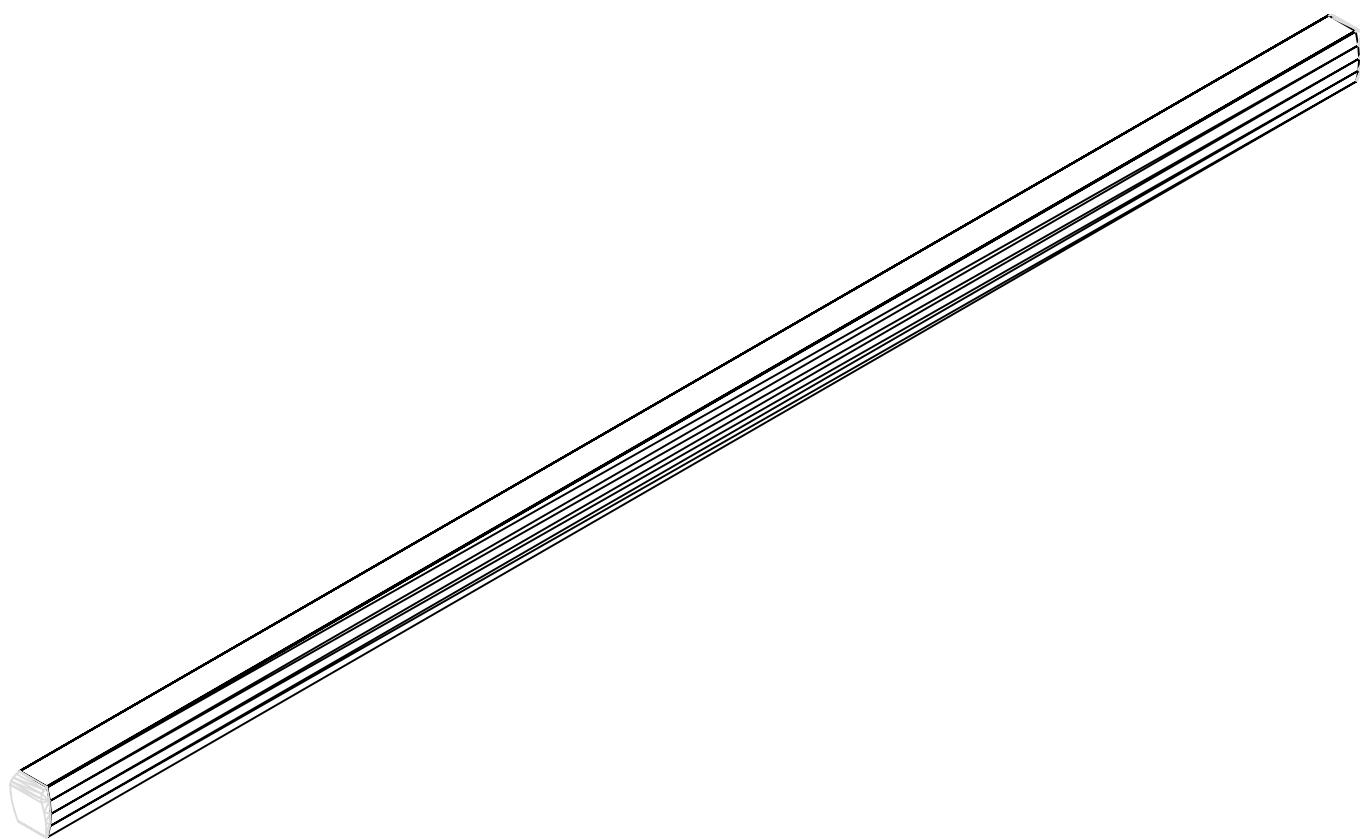
# Assembly instructions

---

## Balance beam upholstery

Nr. 1414900

---

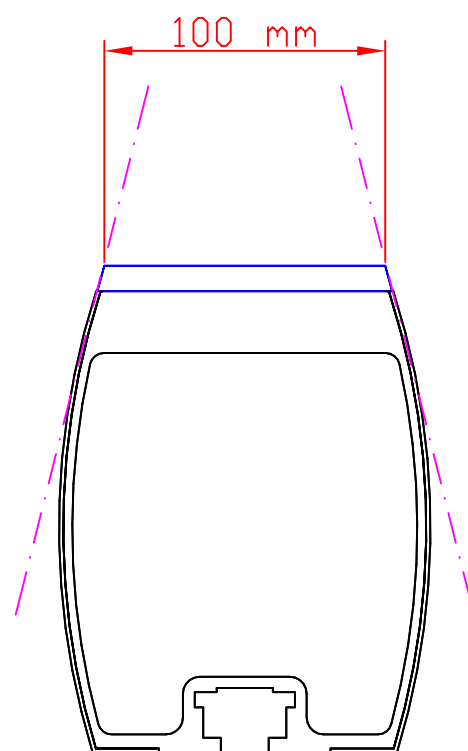
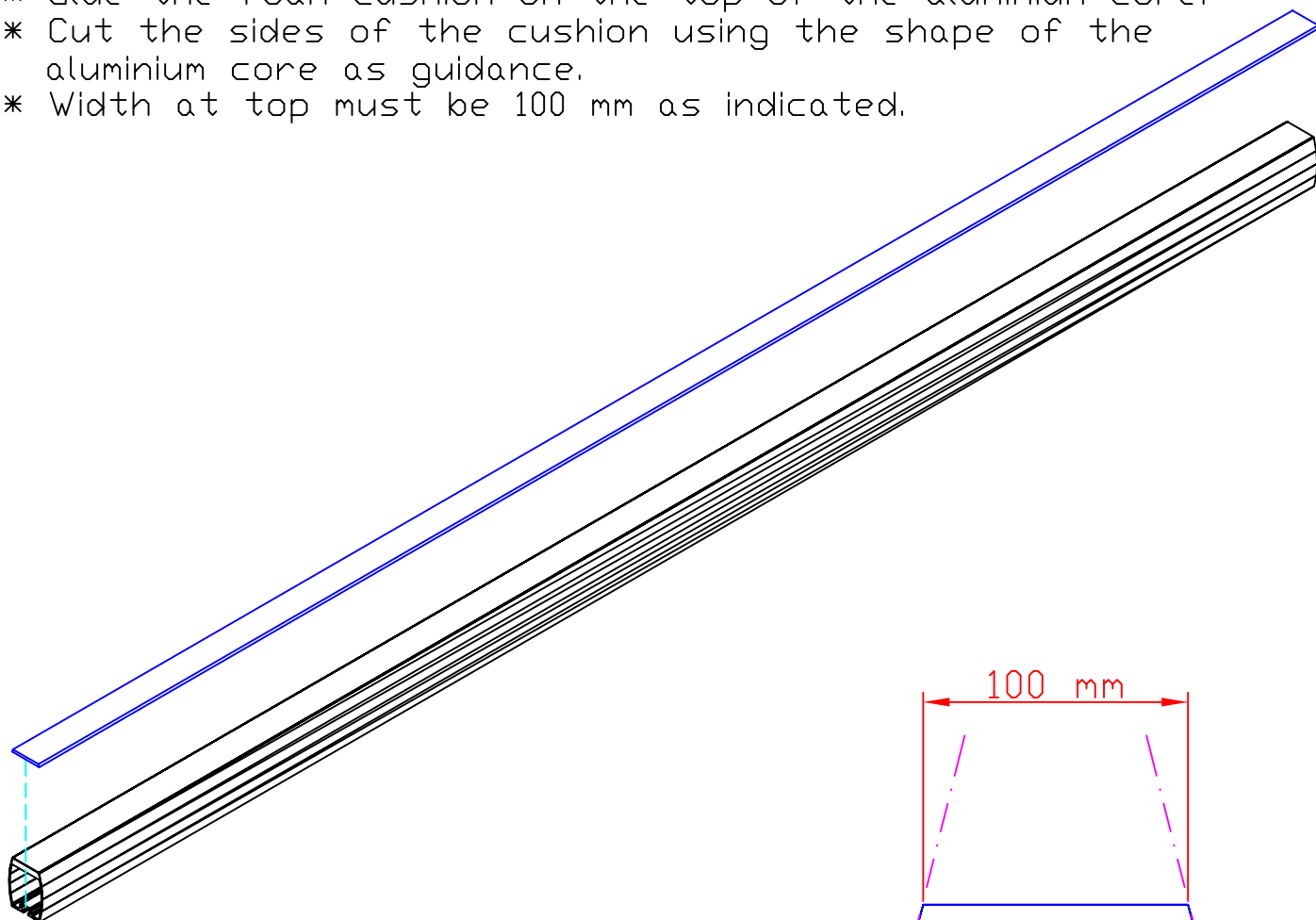


**janssen · fritsen**

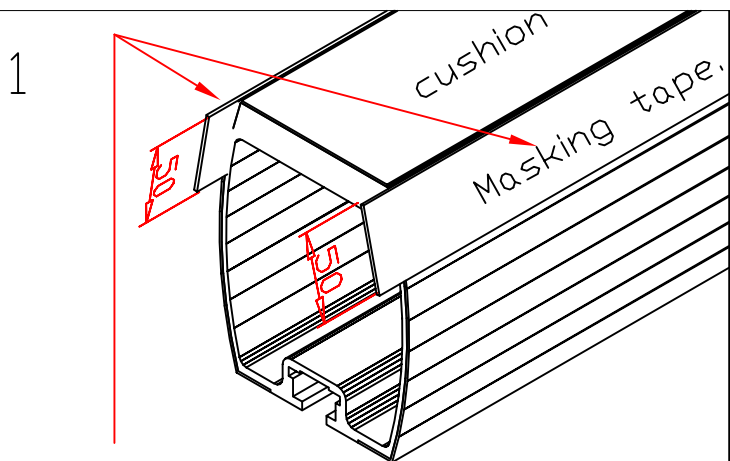
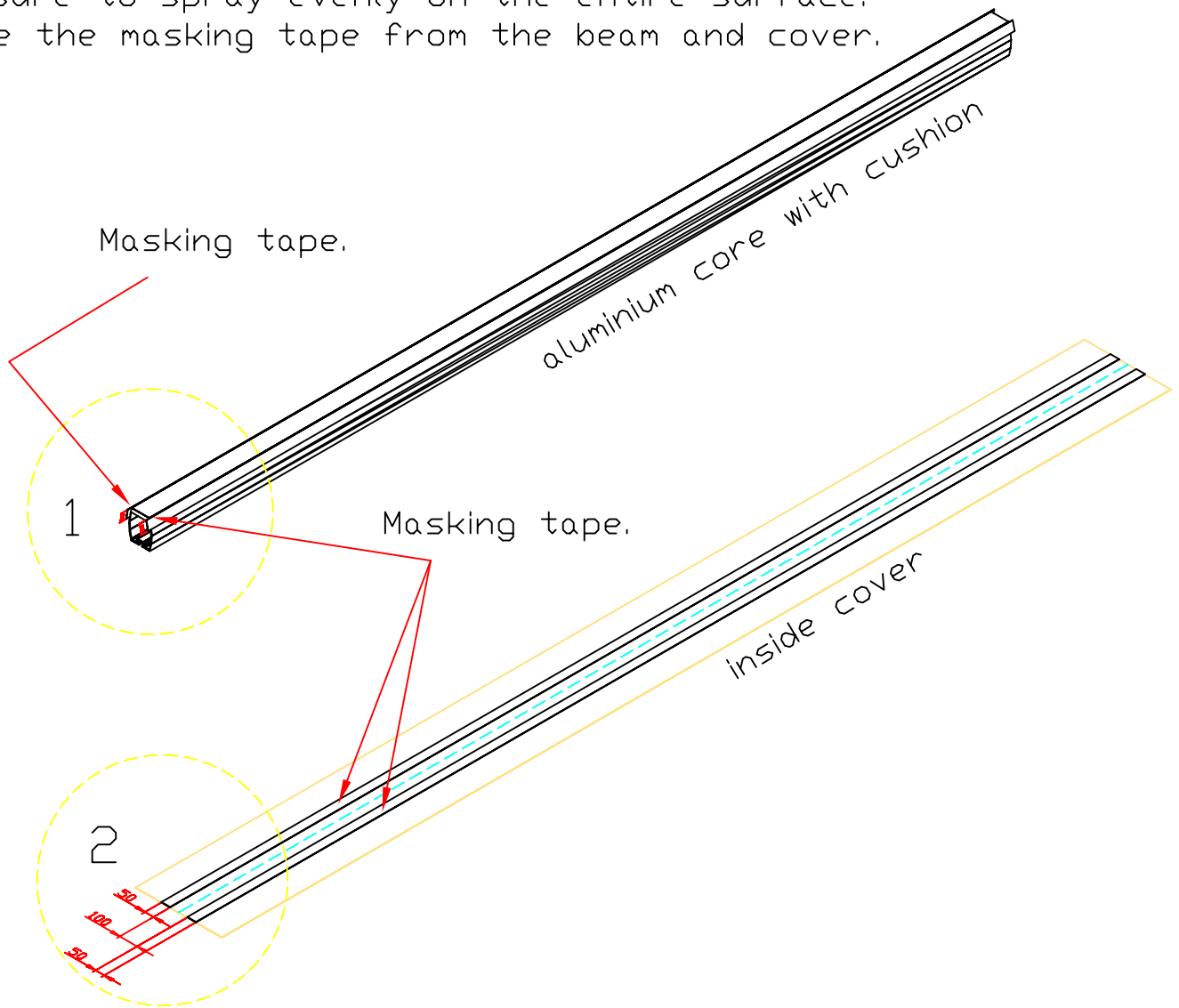
DAT.28-09-05

wijz.0

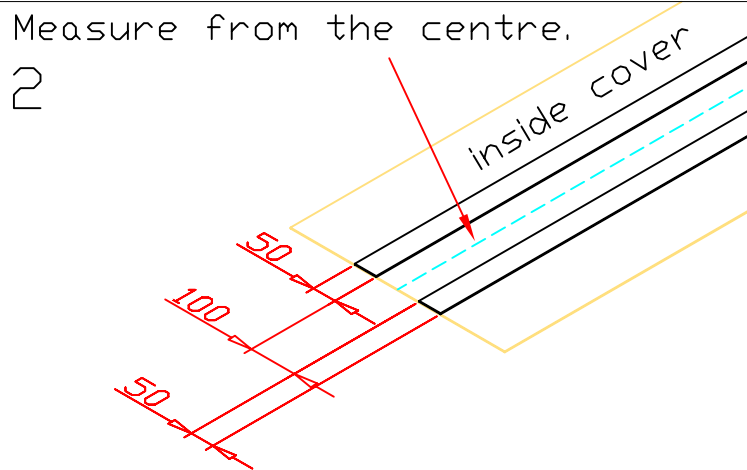
- 1\* Remove the existing upholstery.
- 2\* Remove all grease, dust and remaining glue from aluminium core.
- 3\* Glue the foam cushion on the top of the aluminium core.
- 4\* Cut the sides of the cushion using the shape of the aluminium core as guidance.
- 5\* Width at top must be 100 mm as indicated.

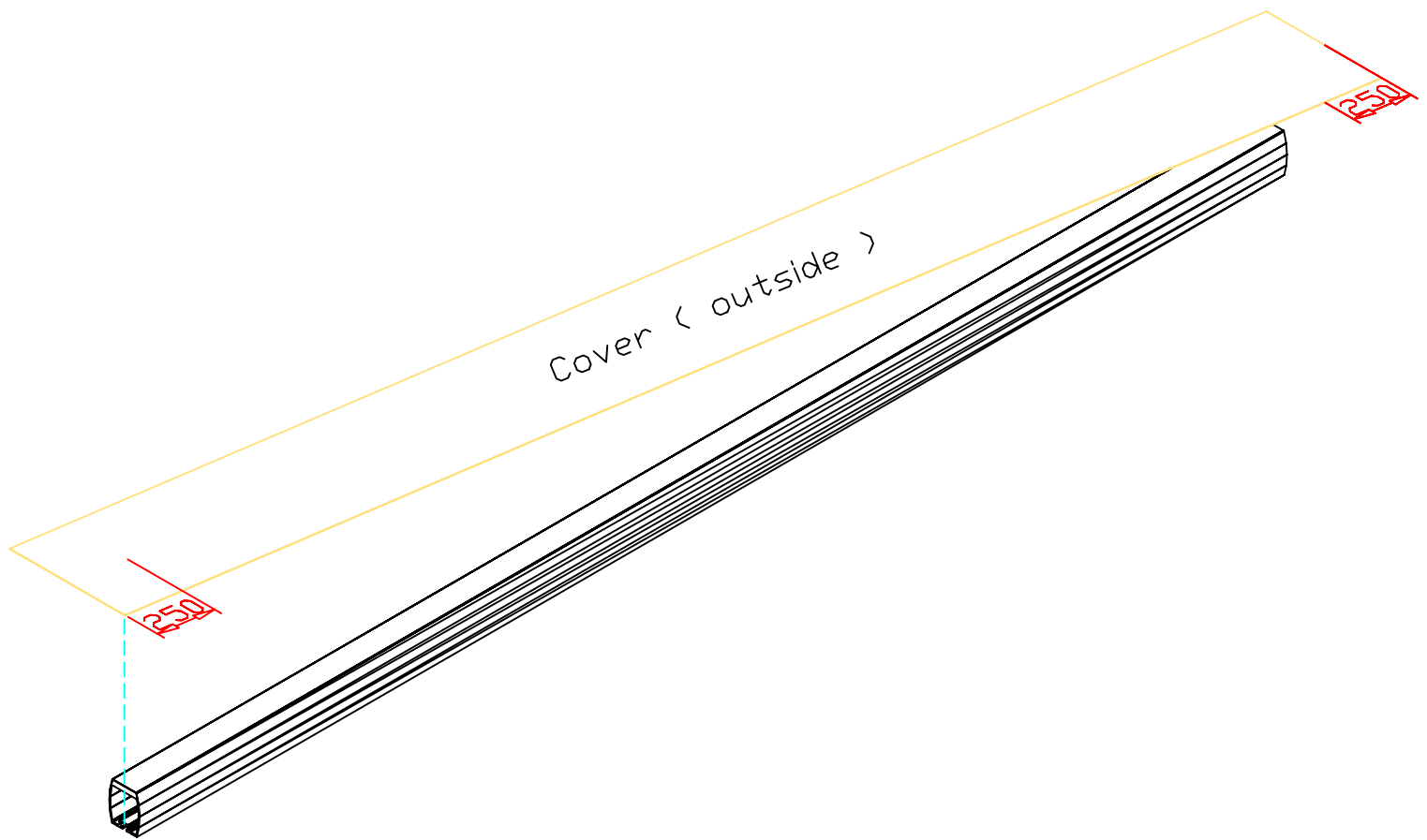


- 1\* Place masking tape on the aluminium core and inside of the cover to ensure elasticity of the cover.
- 3\* Spray the glue on the top and sides of the beam and the inside of the cover.  
Make sure to spray evenly on the entire surface.
- 4\* Remove the masking tape from the beam and cover.



Place 50mm wide masking tape from the top downwards





- 1\* Place the glued side of the cover exactly central on the top of the beam en press carefully.
- 2\* Pull on the long sides of the cover and press on the beam.
- 3\* Fold the remainder of the cover under the beam and press.
- 4\* Cut off the excess cover at both ends of the beam, leaving 10 cm and fold this into the hole.

- 1\* Remove grease and dust from the end caps.
- 2\* Install the end caps with gap-filling construction glue.  
(apply glue on inside of beam)

