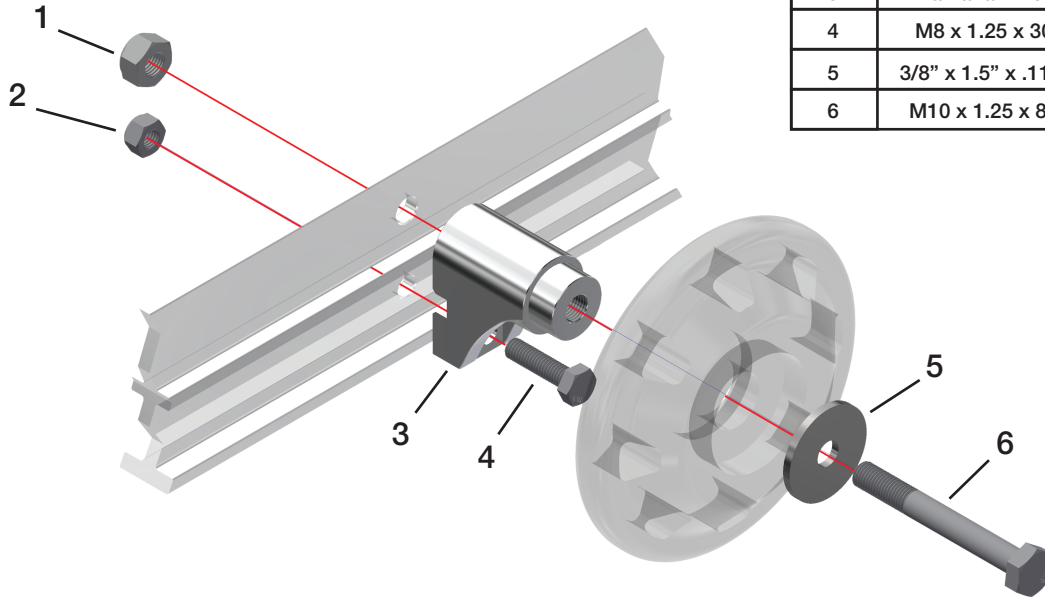
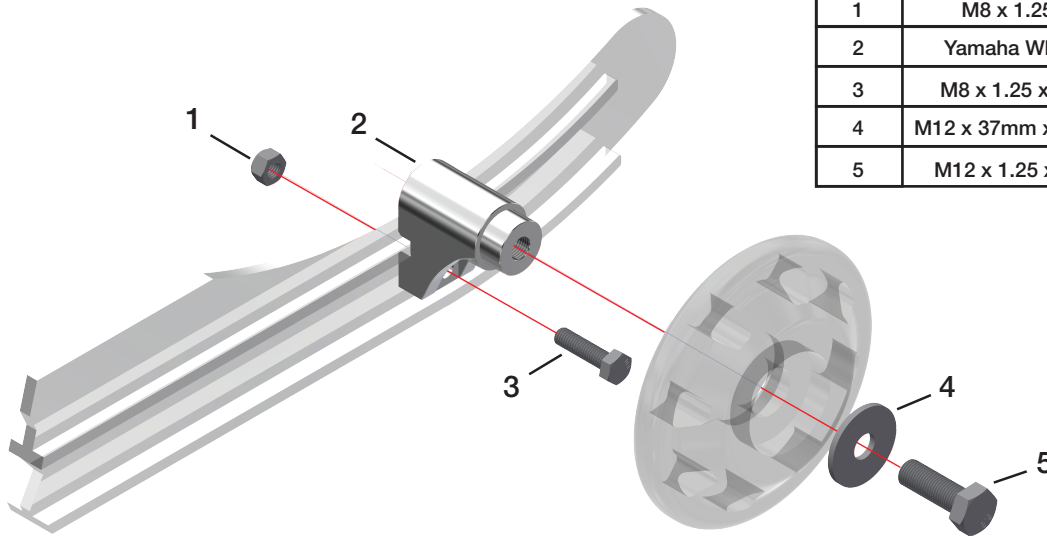


**Part# 73-35-032-A**  
**Double Mount, Flat Rail**



Item	Description	Qty
1	M10 x 1.25 Locknut	1
2	M8 x 1.25 Locknut	1
3	Yamaha Wheel Holder	1
4	M8 x 1.25 x 30mm Bolt	1
5	3/8" x 1.5" x .112" Washer	1
6	M10 x 1.25 x 80mm Bolt	1

**Single Mount, Curved Rail**



Item	Description	Qty
1	M8 x 1.25 Locknut	1
2	Yamaha Wheel Holder	1
3	M8 x 1.25 x 30mm Bolt	1
4	M12 x 37mm x 3mm Washer	1
5	M12 x 1.25 x 35mm Bolt	1

**⚠ Important!** Read all instructions carefully and double check your work. Failure to follow instructions may result in damage to suspension components. After installation is complete be sure to cycle the suspension through it's motion. We are not responsible for any damage that can occur from improper installation.