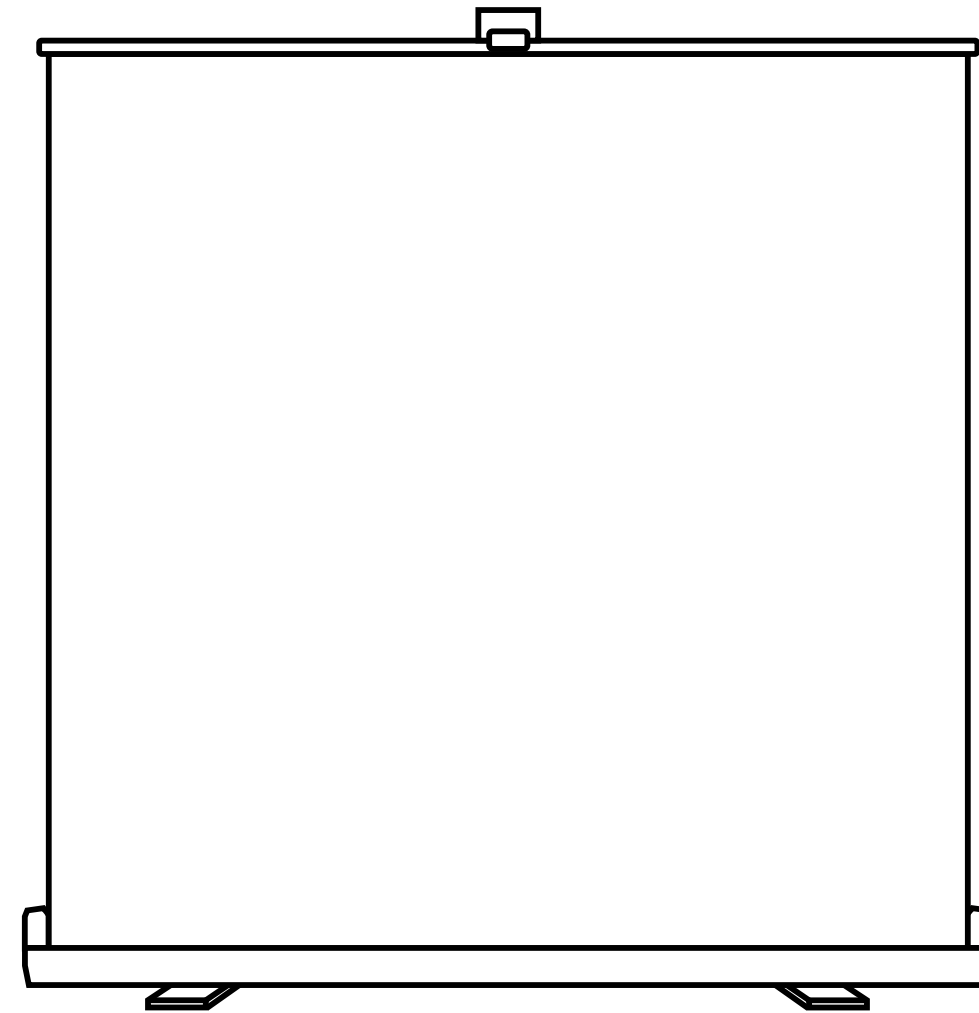
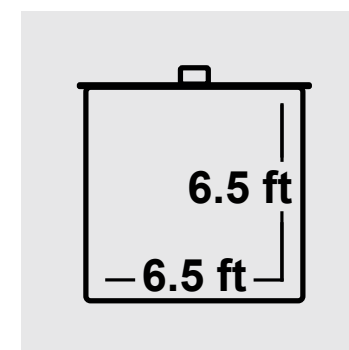


Pixio

Green Screen XL Wide

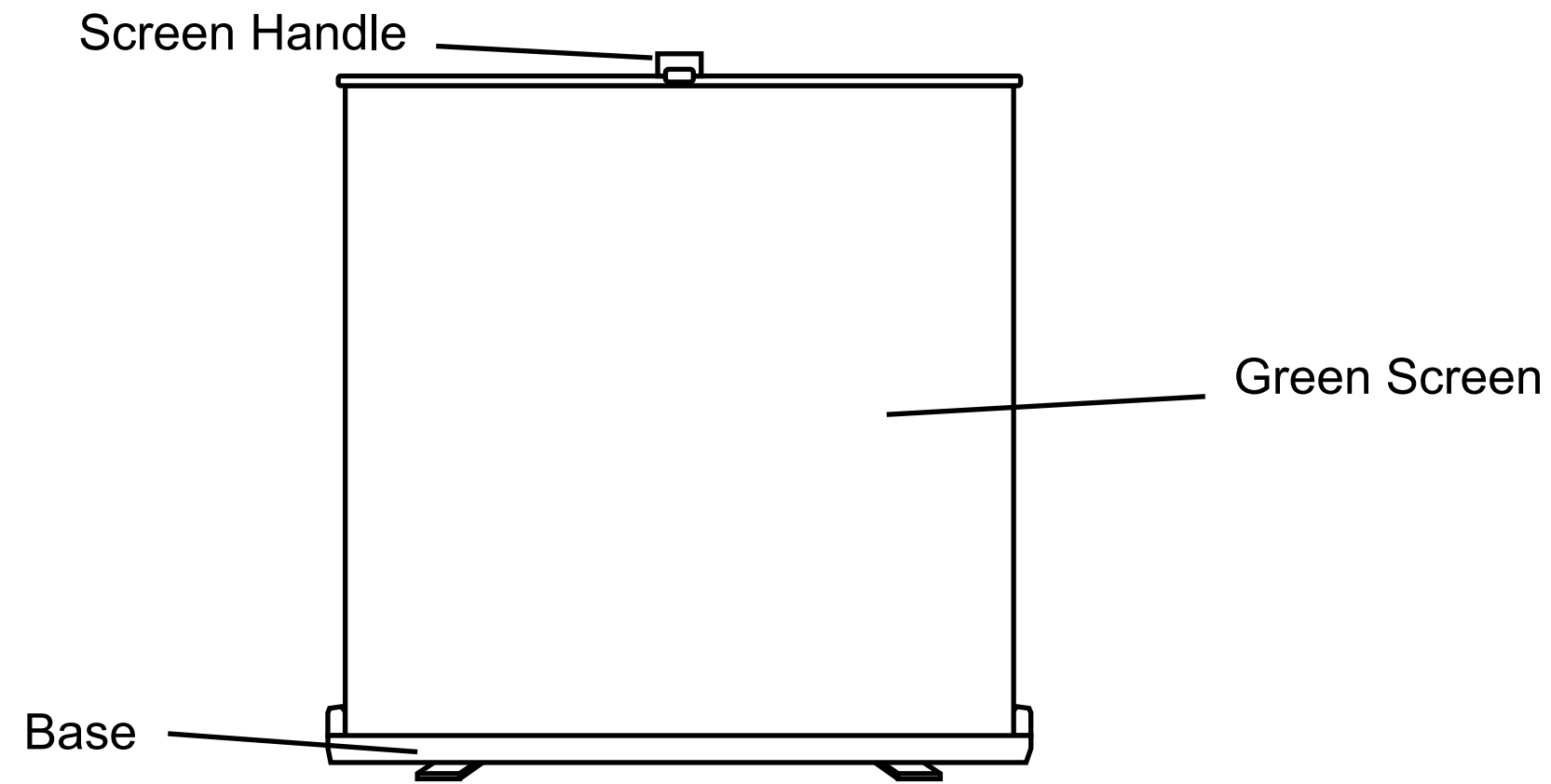


Operations Guide

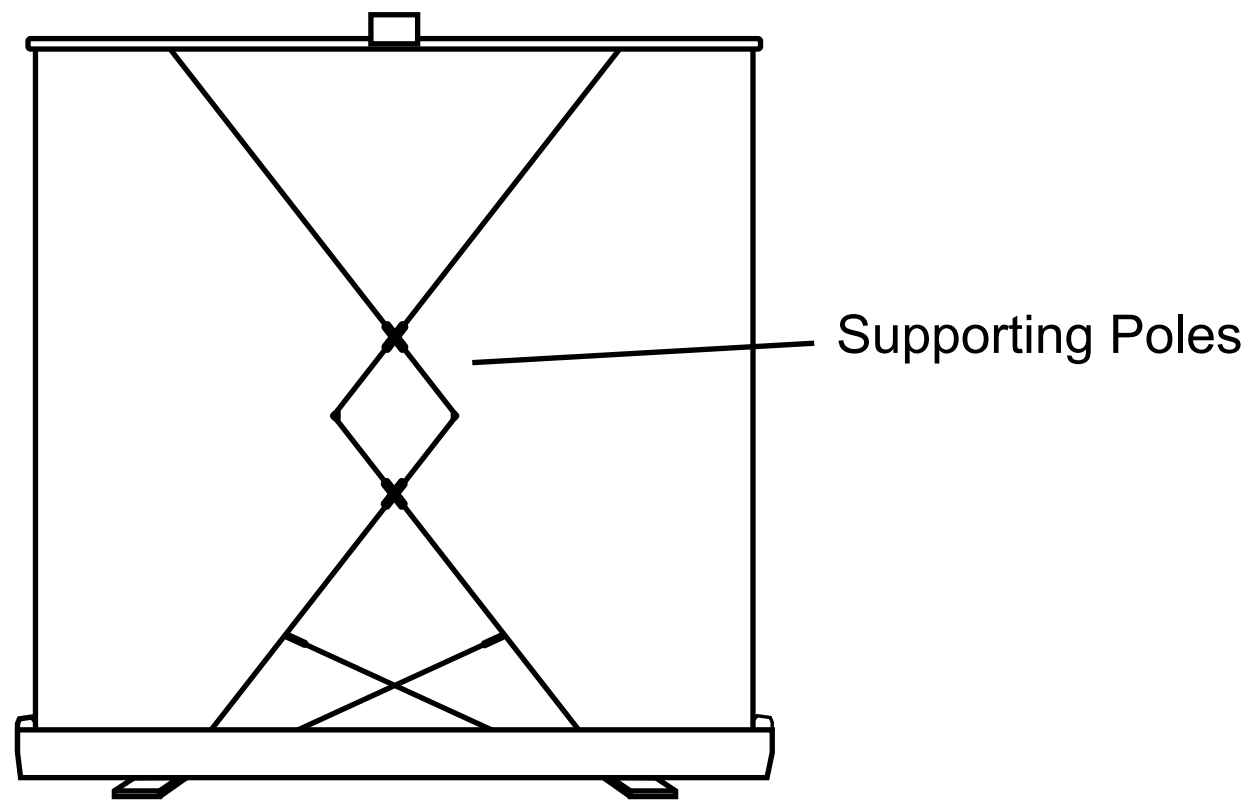


www.pixiogaming.com

FRONT



BACK



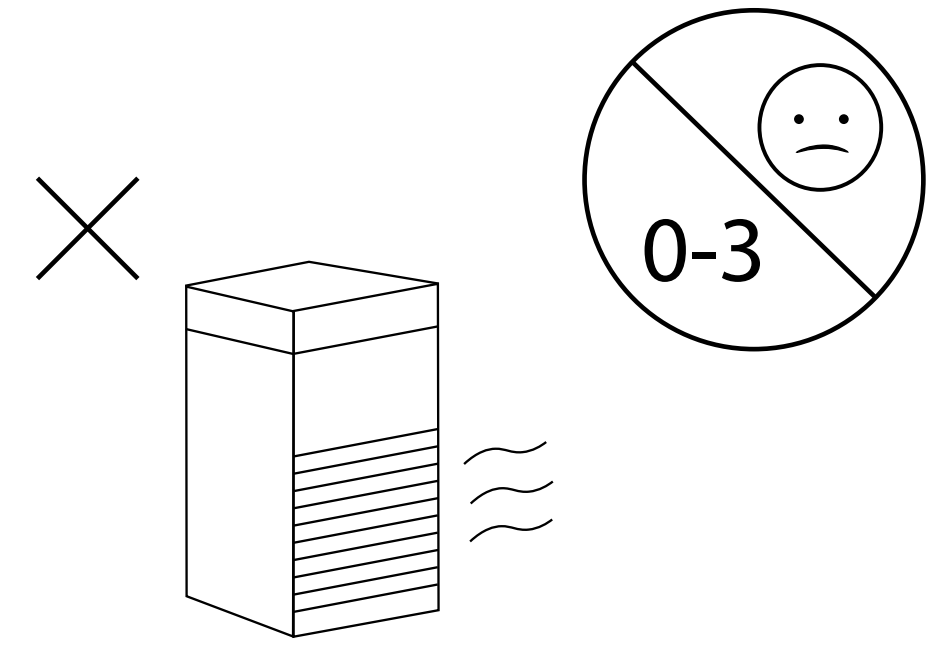
! Open and close the screen

WARNING

* Ignoring content might cause casualties resulting in mistakes in operation *

DON'T put by articles of high temperature
Overheating of green screen may cause fire

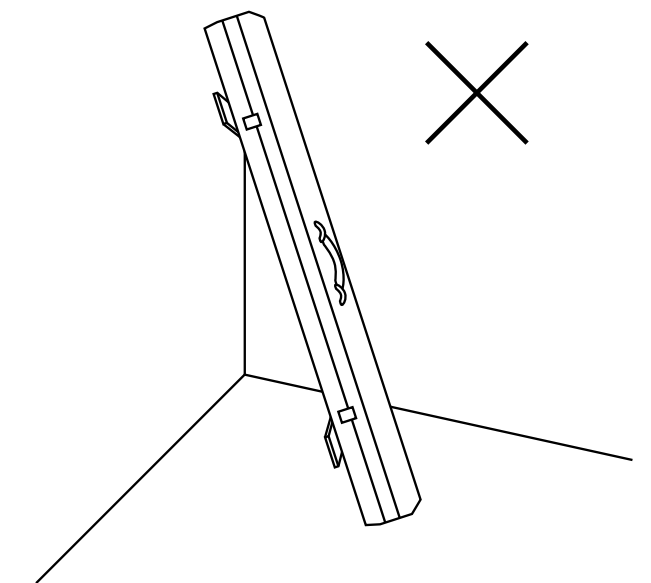
DON'T let children play with the screen
Problems may occur if not handled with proper care



! BE CAREFUL

The green screen is heavy, be careful of fingers and toes when handling product
May cause injuries and/or damage the product if not paid close attention

DON'T store the screen in an angle
The screen has a danger of falling down if leaned against a wall
Please level the screen on ground level



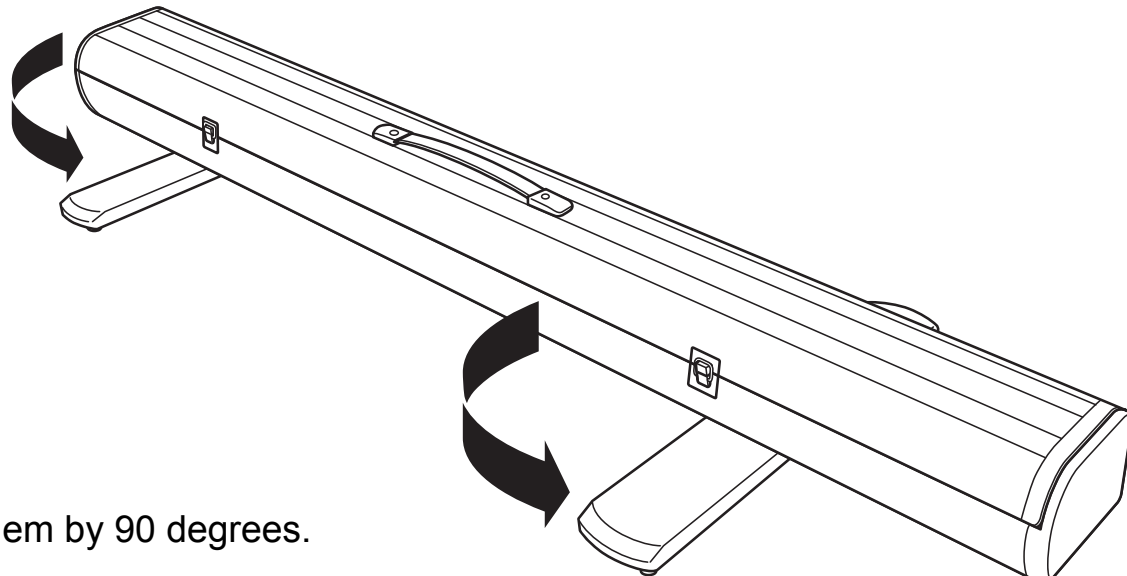
! CAUTION

DON'T touch the surface of the screen with hands
DON'T draw or write directly on the screen
DON'T touch the screen with any sharp or hard surfaces

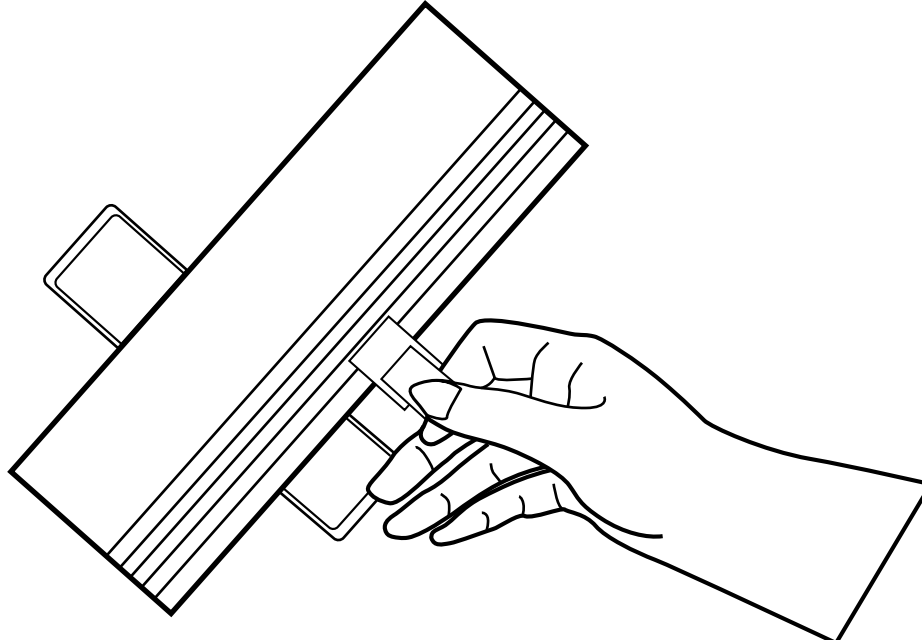
For safety and cleanliness, please restore the screen inside the shell after use
In order to clean the screen, gently brush off any dirt or dust with a clean cotton cloth

Operations Method

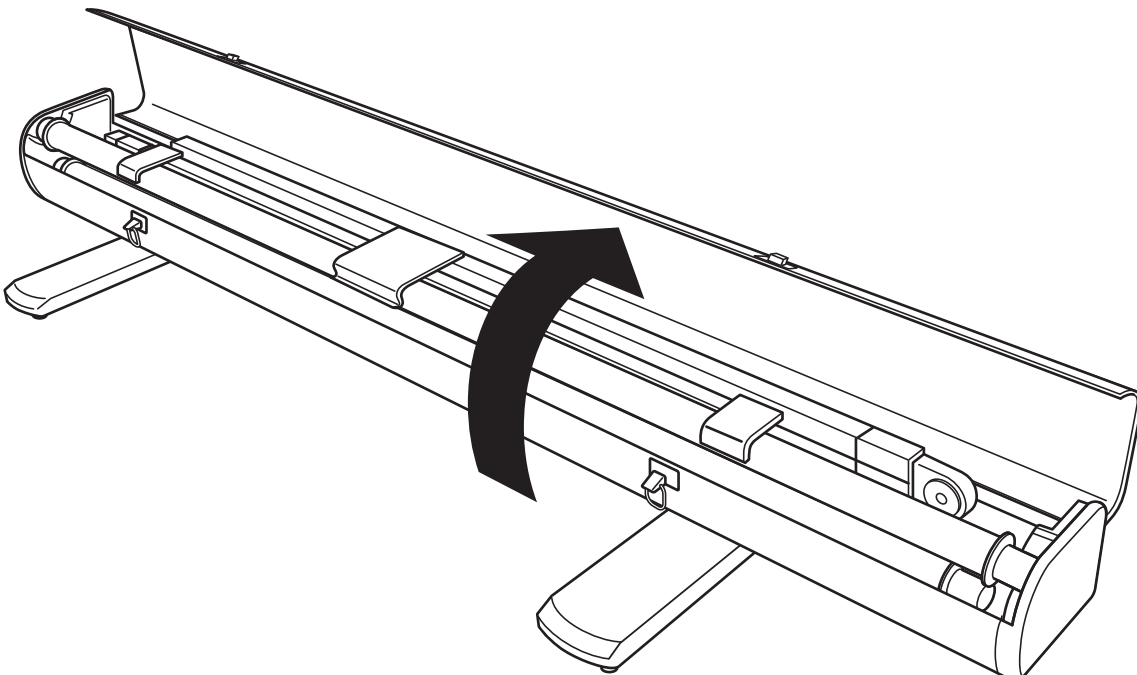
1. Adjust the two feet by rotating them by 90 degrees.



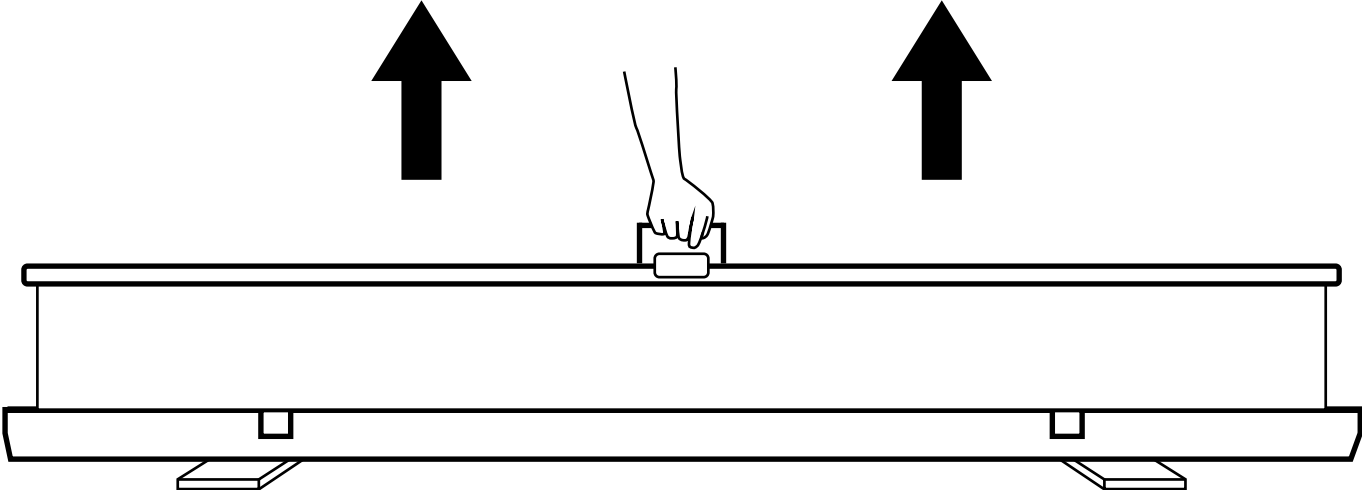
2. Open the lid by releasing the clip.



3. Open the lid.



4. To extend the screen from the container, slowly pull out the screen at a perpendicular angle using the handle.



5. Pull up the screen until it reaches the desired length.

