

# *Pixio*

# USER MANUAL

---

## PX277 PRO

The color and the appearance may differ depending on the product, and the specifications are subject to change without prior notice to improve the performance.

The contents of this manual are subject to change without notice to improve quality.

Copyright © 2022 Pixio USA Inc. | Pixio is a registered trademark of Pixio USA Inc. | All Rights Reserved.

Use or reproduction of this manual in parts or entirety without the authorization of Pixio USA Inc is prohibited.

All other trademarks are owned by their respective owners.

Brand: Pixio  
Product Name: 27in IPS WQHD 165Hz Gaming Monitor  
Product Code: PX277 Pro  
FCC ID: 210918002EMC-1



This device complies with part 15 of the FCC Rules. Operation is subject to the following two conditions: (1) this device may not cause harmful interference, and (2) this device must accept any interference received, including interference that may cause undesired operation. Any changes or modifications not expressly approved by the party responsible for compliance could void the user's authority to operate the equipment.

NOTE: This equipment has been tested and found to comply with the limits for a Class B digital device, pursuant to Part 15 of the FCC Rules. These limits are designed to provide reasonable protection against harmful interference in a residential installation. This equipment generates, uses and can radiate radio frequency energy and, if not installed and used in accordance with the instructions, may cause harmful interference to radio communications. However, there is no guarantee that interference will not occur in a particular installation.

If this equipment does cause harmful interference to radio or television reception, which can be determined by turning the equipment off and on, the user is encouraged to try to correct the interference by one or more of the following measures:

- Reorient or relocate the receiving antenna.
- Increase the separation between the equipment and receiver.
- Connect the equipment into an outlet on a circuit different from that to which the receiver is connected.
- Consult the dealer or an experienced radio/TV technician for help.

# JOIN THE RED TEAM

Keep up to date on the latest news, take part in giveaways, and interact with us!

Sign up for our newsletter

[www.pixiogaming.com](http://www.pixiogaming.com)

Discord



<https://discord.gg/pixio>

Reddit



[https://www.reddit.com/r/Pixio\\_Gaming](https://www.reddit.com/r/Pixio_Gaming)

**RISK OF ELECTRIC SHOCK DO NOT OPEN THE MONITOR.  
OPENING MONITOR BACK COVER WILL VOID YOUR WARRANTY.**



This symbol indicates that high voltage is present inside. It is dangerous to make any kind of contact with any internal part of this product.



This symbol alerts you that important literature concerning operation and maintenance has been included with this product.

# Before Using the Product.



## Installation Space

Ensure some space around the product for ventilation. An internal temperature rise may cause fire and damage the product. Make sure to allow some space. Do not install near heater or any other high temperature product or humidifier.



- Do not place the monitor near heat sources, such as radiators, and do not expose the monitor to direct sunlight for an extended period of time.
- Make sure to keep the original packaging material. If there are any needs to transport the monitor, the packaging material will be the best method for successful delivery.
- Make sure to use a soft, non-abrasive cloth when cleaning the monitor. Do not use corrosive or strong detergents to clean the monitor. They may result in permanent damage to the panel and will void the warranty.
- Always check to make sure the power cord is unplugged before cleaning the monitor.
- Be careful when handling liquids while cleaning as it may cause irreparable damage to the electrical components in the monitor.



- Make sure the monitor is not placed near any source of water, such as the bathroom, kitchen, or humid areas.
- Do not place the monitor on an unstable, or uneven surface. If dropped, the monitor may cause bodily injuries. When transporting the monitor, make sure it is secured in an upright position or preferably in its original packaging for best results. When mounting the monitor, make sure to follow the instructions of the respective mounting provider for best results.
- The openings in the monitor are for ventilation. For best results, make sure the ventilation holes are not covered up. Avoid confined spaces like a bookcase for proper functionality.
- If the monitor will not be used for an extended period of time, make sure to unplug the power cord to prevent the risk of damage from lightning strikes or other abnormal voltage incidents.
- Do not overburden any socket to prevent risk of fire or shock.
- Do not stick any foreign objects into the monitor to prevent risk of fire or shock.
- Please do not try to take off the back panel to repair the monitor yourself. You may run the risk of shock and void the warranty as well. Contract Pixio directly for all RMA issues.
- Take note of elevation and temperature zone warnings on the adapters.
- The  icon indicates that the adapter is suited for areas under 2000 meters.
- The  icon indicates that the adapter is suited for non-tropical areas.

# Cleaning the Product.

Take the following steps when cleaning.

1 Power off the product and computer.



2 Disconnect the power cord from the product.

Hold the power cable by the plug and do not touch the cable with wet hands. Otherwise, an electric shock may result.



3 Wipe the monitor with a clean, soft and dry cloth.

Do not apply a cleaning agent that contains alcohol, solvent, or surfactant to the monitor.

Do not spray water or detergent directly on the product.

4 Wet a soft and dry cloth in water and wring thoroughly to clean the exterior of the product.

5 Connect the power cord to the product when cleaning is finished.

6 Power on the product and computer.

## Notice.

### **Characteristics of Crystal Display Monitors**

When the following potential issues occur, please be aware that the monitor is functioning in accordance of manufacturing tolerances and does not mean the monitor has a defect.

- When first turning on the monitor, the screen may flicker. Please turn the monitor off and turn it back on.
- The brightness levels on different images may appear uneven.
- The effective pixel count should approximate 99.99%, but there may be a possible 0.01% or less failure rate due to dead or stuck pixels.
- If the monitor displays a single static image for a long period of time, there may be an image burn that can be seen while viewing a different image. The burned image will gradually disappear and turning off the monitor for an extended period of time will speed up the process.
- If you notice extended, constant flickering or if the screen constantly goes to black, please contact Pixio directly and we will assess and have the unit repaired if necessary. Please do not attempt to repair the unit yourself as it will result in voiding the warranty.

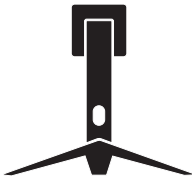


# Preparation.

Product Includes:



Monitor



Stand



M4 x16mm  
Screws



DP Cable



Power Adapter

# Monitor Inputs.



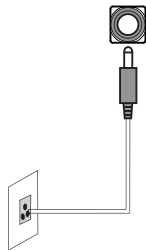
1 2 3 4

- 1 USB-B
- 2 USB1
- 3 USB2
- 4 LAN

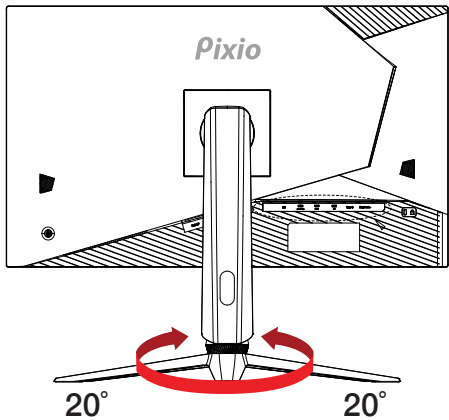


1 2 3 4 5 6

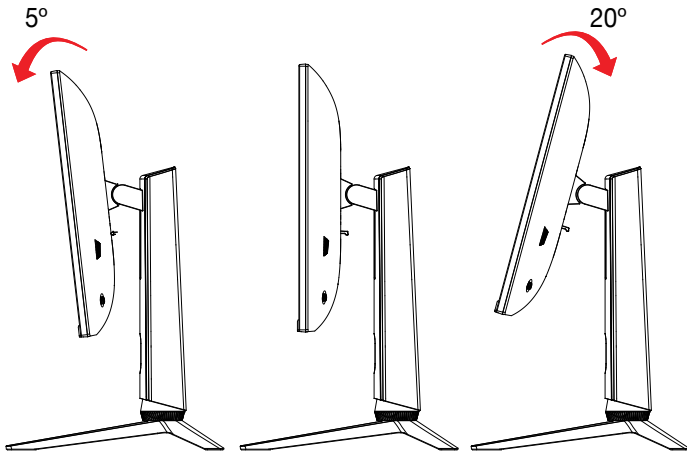
- 1 DC
- 2 HDMI **HDMI 2.0, 144Hz, FreeSync Premium, HDR**
- 3 DP **DisplayPort 1.4, 165Hz, FreeSync Premium, HDR**
- 4 Type C **165Hz, 65W Power Charge, FreeSync Premium**
- 5 USB **Firmware Update**
- 6 AUDIO OUT



**\*WARNING:**  
Always use the  
appropriate power cord.

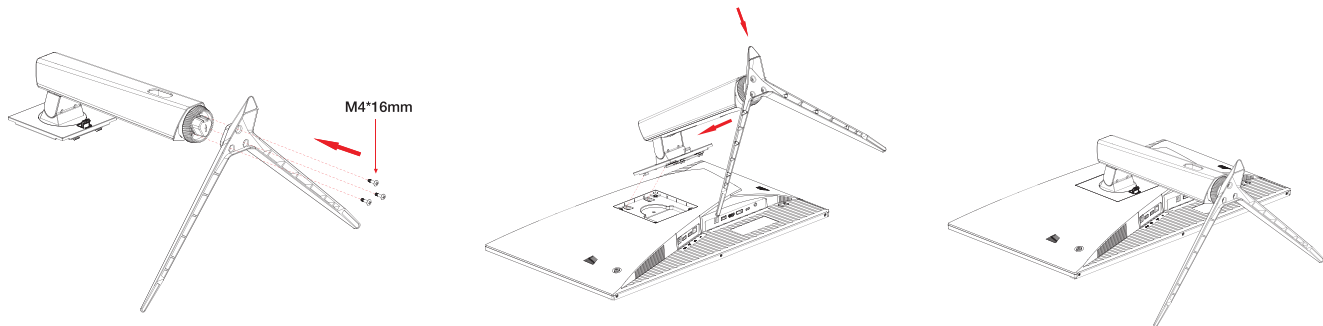


Swivel



Tilt

## Product Assembly:

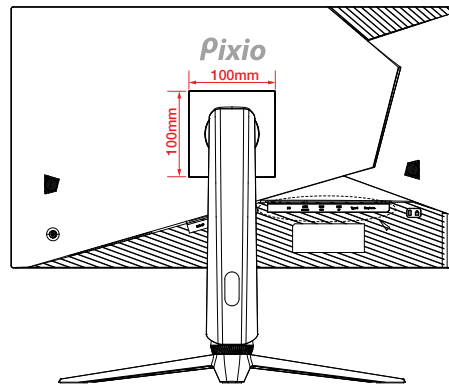
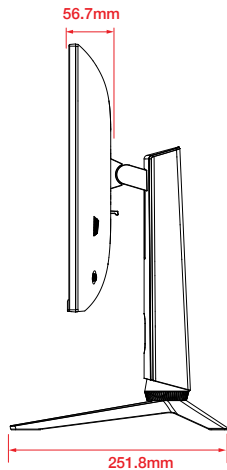
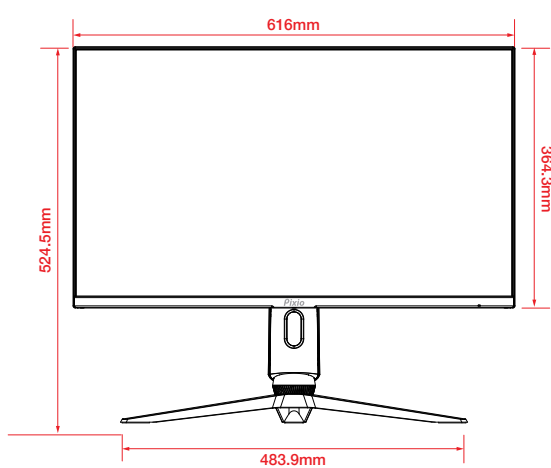


- 1 Open the package, assemble the stand base to the stand stem with 3 pieces of M4\*16mm screws. Screw as shown in the illustration.

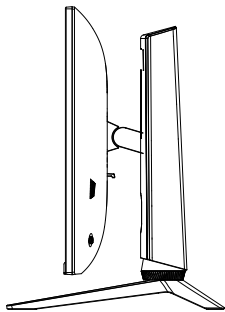
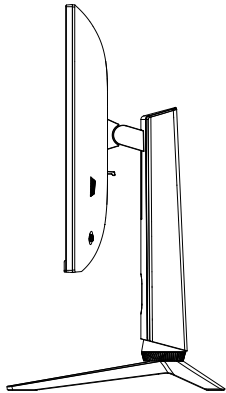
- 2 Take out the product with foam still attached, and gently place it on a desktop or table. And insert the stand stem into the back of the monitor as shown in the illustration.

- 3 Stand assembly completed.

# Dimension & Weight.

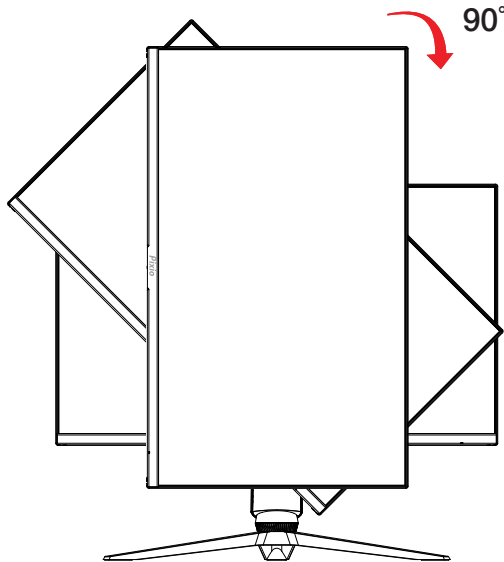


Net Weight: 5.71kg (12.6lb)



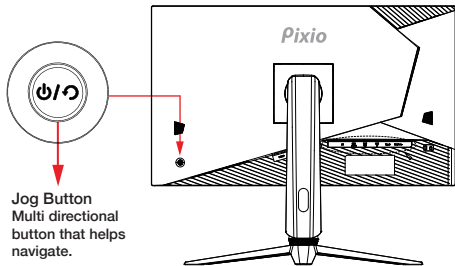
90mm

Elevate

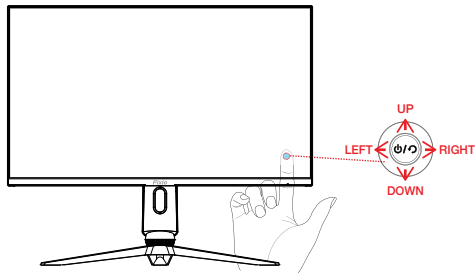


Pivot

# Control Panel.

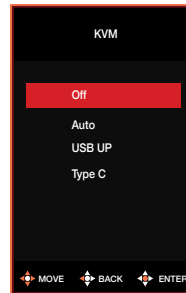
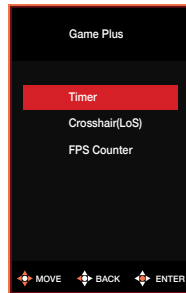
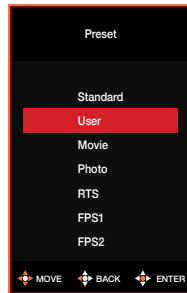
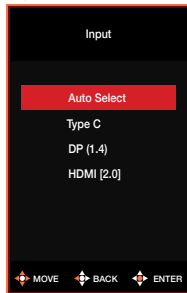


Jog Button  
Multi directional  
button that helps  
navigate.

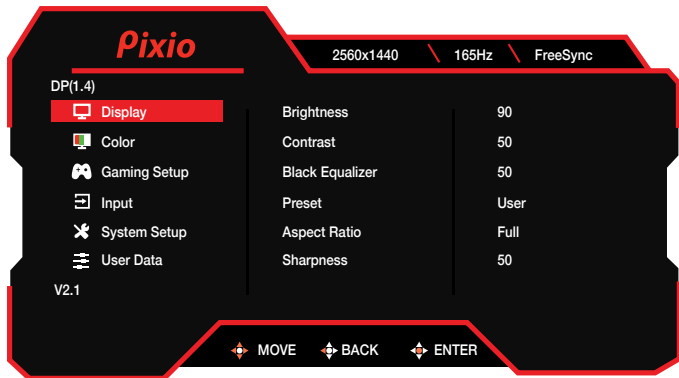


## Menu Short Cut




Up	Input selection Short Key / Exit Short Key Menu
Down	KVM Input Short Key Menu
Left	Preset selection Short Key Menu
Right	Game Assist selection Short Key Menu



# Main OSD Navigation



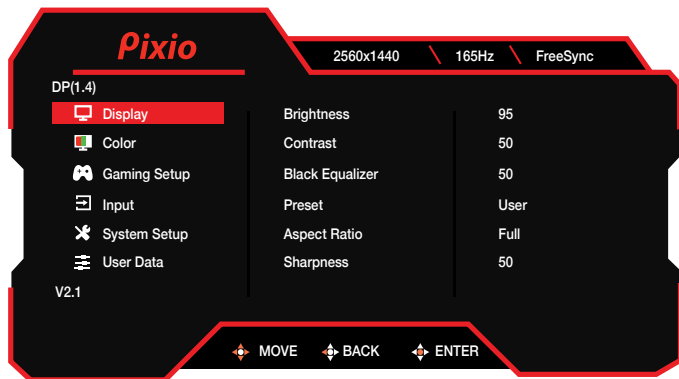
## How to Reconfigure

Up	Move up the OSD Menu / Increase
Down	Move down the OSD Menu / decrease
Left	 Move left on the OSD Menu / Back BACK
Right	 Move right on the OSD Menu / Enter MOVE
Enter	 Press button to select
Press	Turn ON / OFF the OSD Menu

To turn ON/OFF the OSD Menu, Press Jog Button.



# OSD Menu.



## Display

- **Brightness:** Adjust the display brightness value from 0 to 100.
- **Contrast:** Adjust the display contrast value from 0 to 100.
- **Black Equalizer:** Adjust the Black Equalizer value from 0 to 100.
- **Preset:** Select Preset from Standard, User, Movie, Photo, RTS, FPS1, and FPS2.
- **Aspect Ratio:** Select Aspect Ratio from Full, 16:9, and 4:3.  
[disabled when turn on the FreeSync]
- **Sharpness:** Adjust the Sharpness value from 0 to 100.



## Color

- **Color Temperature:** Select Color Temperature from Warm, Normal, Cool, sRGB, and User.
- **Gamma:** Select Gamma from Off, 1.8, 2.0, 2.2, and 2.4.
- **Hue:** Adjust the Hue value from 0 to 100.
- **Saturation:** Adjust the Saturation value from 0 to 100.
- **Low Blue Light:** Adjust the Blue Light Filter value from 0 to 100.



## Gaming Setup

- FreeSync Premium: Turn FreeSync Premium On or Off.
- Overdrive: Select Overdrive from Off, Low, Middle, and High.
- Game Assist: Select Game Assist from Time, Crosshair(LoS), and FPS Counter.

Timer: Select Timer from Off, 15:00, 30:00, 45:00, 60:00 and 90:00

Crosshair(LoS): Select Crosshair type.



FPS Counter: Turn FPS Counter On or Off.

- HDR: Turn HDR On or Off.
- DCR: Turn DCR On or Off.
- MPRT: Turn MPRT On or Off.
- RGB Light: Turn RGB Light On or Off.



## Input

- Switch the signal input to Auto Select, Type C, DP [1.4], or HDMI [2.0].



## System Setup

- Language: Change the OSD menu display language
- OSD Setup: Select OSD Setup from H Position, V Position, OSD Timeout, Transparency.

H Position: Adjust 0-100

V-Position: Adjust 0-100

OSD Timeout: Adjust 15-60

Transparency: Adjust 0-100

- Audio: Select Audio from Volume or Mute.

Mute: turn On or Off

Volume: Adjust 0-100

- KVM: Select KVM from Off, Auto, USB UP or Type C
- DDC/CI: Select DDC/CI On or Off.
- Reset: Select Reset from Cancel or Confirm.
- Firmware Update: Firmware Update from Cancel or Confirm.



## User Data

- **User Data:** Load/Save Brightness, Contrast, Black Equalizer, Saturation, Preset, Color Temperature, Gamma, Overdrive, Volume, Mute, Low blue light settings on the monitor.

## KVM Switch Guide

### **What is a KVM Switch?**

A KVM switch allows a user to use one keyboard and mouse to control multiple PC setups. It is not limited to peripherals like mice or keyboards; you may also use them for USB flash drives for storage or other USB devices as well.

### **How do I set it up?**

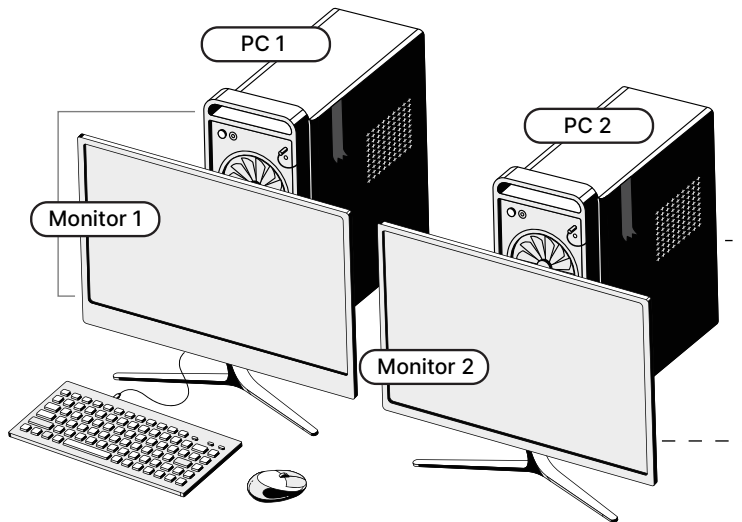
Let's assume you have two monitors and two PC's but you only want to use one keyboard and mouse for both setups. This is a perfect use-case for a KVM switch. Here are the steps to set up for this example. You will need almost everything plugged into your primary monitor. This will be the monitor where you will have your peripherals plugged into as well as for switching which PC you want to control.

Select a connection method suitable for each of your source device



PLEASE NOTE

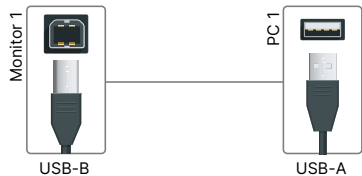
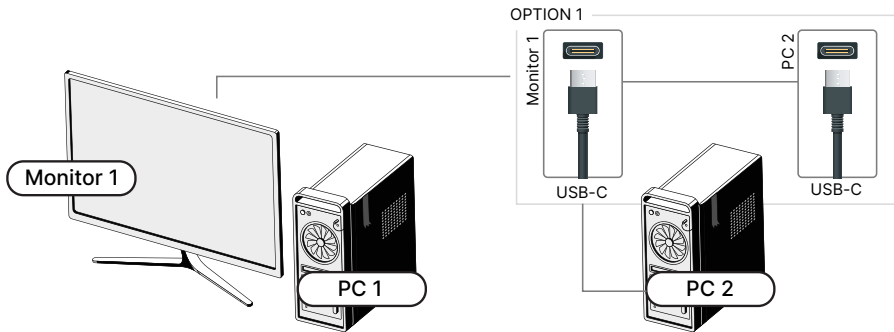
When connecting, use the display cable that came with the components of the monitor. A Pixio branded cable is recommended.



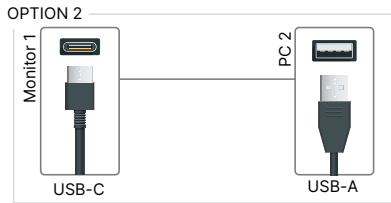
To use the KVM switch, please use the USB-B to USB-A cable\*.

\*PLEASE NOTE: The noted cables needs to be purchased separately.

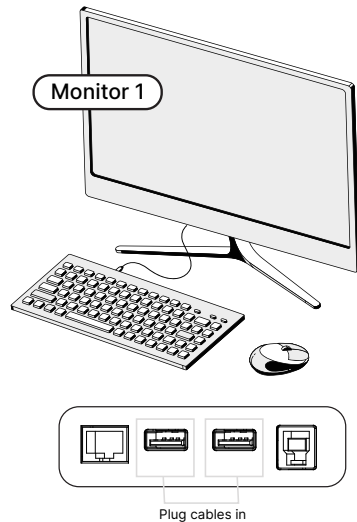




- 1** Connect Monitor 1 to PC 1 with a USB-B to USB-A Cable.\*



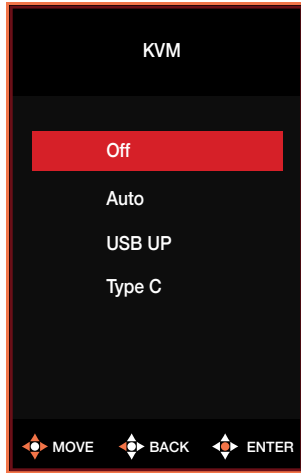
- 2** Connect Monitor 1 to PC 2 with a USB-C to USB-C cable\* or a USB-C to USB-A cable.\*



- 3** Connect your keyboard and mouse to USB1 and USB2 on Monitor 1.

\*PLEASE NOTE: The noted cables needs to be purchased separately.

## To Use



Tap DOWN on the jog button on the primary monitor. KVM Menu will pop up to select inputs.

## What if I have two PC's plugged into one monitor?

You can actually have one monitor with one keyboard and mouse connected to it and have that control two separate PC setups. However, you will have to switch the display input on your monitor from DisplayPort to HDMI or vice versa on top of changing the KVM input from USB-UP to Type C. Just keep in mind which PC and monitor is connected to which KVM input (Type C or USB UP).

## Things to note

- Type C will be disabled as a display input when the KVM switch is in use
- The KVM switch is only active on one input (USB UP or TYPE C) at a time
- If USB1 or USB2 are used for flash drives, do not switch KVM inputs while files are being transferred as this can corrupt files and destroy data
- If you are using the Ethernet port on Monitor 1 to connect to the internet, only one device will be connected to the internet at any given time

# FreeSync Premium

Adaptive Sync technology is a solution that eliminates screen tearing without all the usual lag and latency. This feature will eliminate screen tearing and lag during game play. Improve your gaming experience. The displayed Adaptive Sync menu items on the monitor may vary, depending on the monitor model and compatibility with the AMD graphics card.

## Nvidia G-Sync

If you are using Nvidia GTX 10series or RTX20series graphic cards, you can use Adaptive-Sync function. This requires Nvidia's latest GPU updates. Please download the latest update if you are intended to use Adaptive-Sync over your Nvidia GTX graphics cards.

## How to enable Adaptive Sync on Nvidia GPU

- 1 Right-click on the Windows desktop and select Nvidia Control Panel
- 2 Expand the Display section of the left-hand navigation pane and select Set up G-Sync
- 3 Check the "Enable G-Sync, G-Sync Compatible" box and select the Active Sync display you'd like to use if you have more than one monitor
- 4 Check the "Enable settings for the selected display model" box
- 5 Click "Apply" in the bottom-right

\*\*\*If the above isn't available, or isn't working, you may need to go to Manage 3D Settings, click the Global tab, scroll down to Monitor Technology, select G-SYNC Compatible in the drop-down, and then click Apply

\*\*\*Even though AMD Radeon GPUs and some Adaptive Sync monitors support Adaptive Sync over HDMI, Nvidia says you'll need to connect your GeForce GPU to your Adaptive Sync monitor using a DisplayPort cable to activate variable refresh rates. (G-Sync monitors only work over DisplayPort as well.)

# *Pixio*

If you have any questions or comments, please contact us below.

**USA:**

[cs@pixiogaming.com](mailto:cs@pixiogaming.com)

**JAPAN:**

[support@pixiogaming.jp](mailto:support@pixiogaming.jp)

[www.pixiogaming.jp/support](http://www.pixiogaming.jp/support)

For your warranty information, please visit [www.pixiogaming.com](http://www.pixiogaming.com)