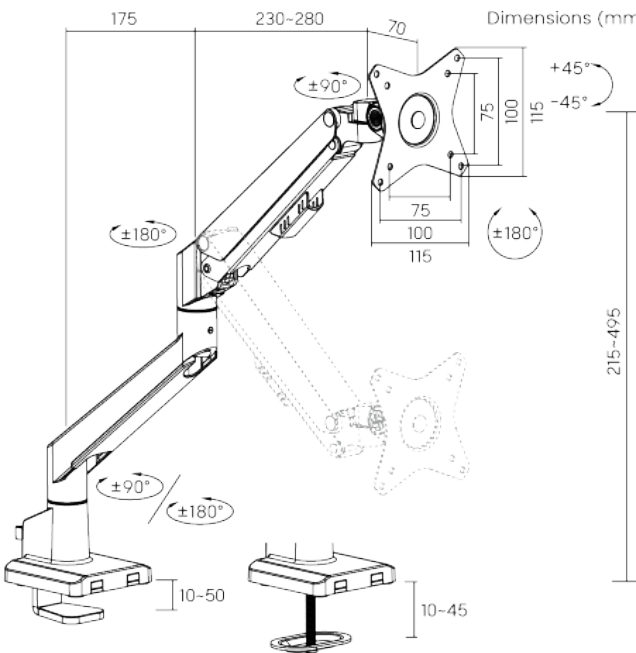


Model	PS1S Wave	
 <p>The technical drawing illustrates the PS1S Wave monitor arm with the following dimensions and features:</p> <ul style="list-style-type: none"> Dimensions (mm): <ul style="list-style-type: none"> Horizontal distance from wall to first joint: 175 Horizontal distance between joints: 230-280 Vertical distance from desk to first joint: 70 Vertical distance from desk to second joint: 75 Vertical distance from desk to VESA plate: 100 Vertical distance from desk to VESA plate: 115 Horizontal distance from VESA plate center to edge: 75 Horizontal distance from VESA plate center to edge: 100 Horizontal distance from VESA plate center to edge: 115 Vertical distance from desk to VESA plate: 215-495 Rotation Ranges: <ul style="list-style-type: none"> Swivel: $\pm 90^\circ$ Screen Rotation: $\pm 180^\circ$ Tilt: $+45^\circ$ to -45° Other Features: <ul style="list-style-type: none"> Detachable VESA Plate Design: Facilitates easy installation. Built-In Spring Tension Mechanism: Allows for precise weight adjustments. Top-Side Installation: Installs entirely from above the desk surface. Integrated Cable Management: Promotes an organized and tidy workspace. 180° Rotation Stop: Ensures the monitor arm doesn't swing into screens or walls. 		
Suggested Screen Size	17"-32"	<ul style="list-style-type: none"> 180° Rotation Stop: Ensures the monitor arm doesn't swing into screens or walls. Top-Side Installation: Installs entirely from above the desk surface. Integrated Cable Management: Promotes an organized and tidy workspace. Detachable VESA Plate Design: Facilitates easy installation. Built-In Spring Tension Mechanism: Allows for precise weight adjustments.
VESA Compatible	75x75,100x100	
Tilt Range	$+45^\circ$ ~- 45°	
Swivel Range	$+90^\circ$ ~- 90°	
Screen Rotation	$+180^\circ$ ~- 180°	
Load capacity	1~9kg (2.2-19.8lbs)	
Package	445 x 410 x 345mm (17.5" x 16.14" x 13.58")	
Package Weight	2.84kg (5.15lbs)	