

Peg Hook

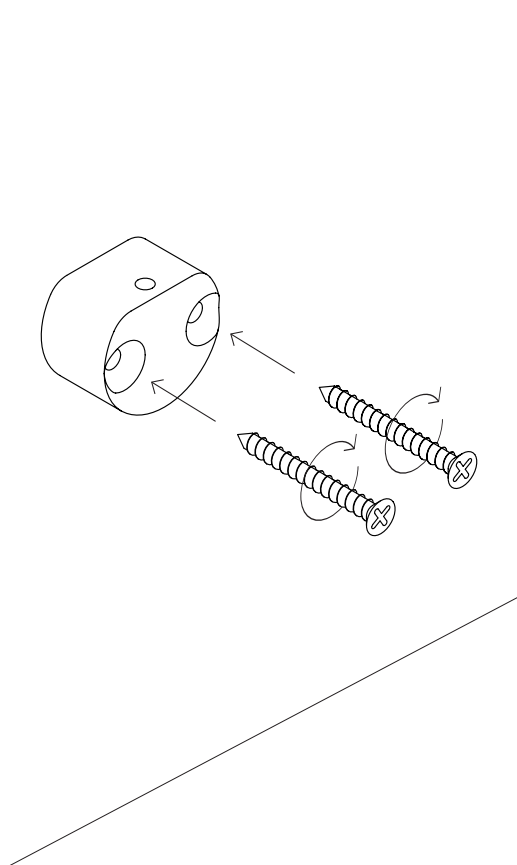
by Jonah Takagi

Peg by Jonah Takagi is the coat hook reduced to its simplest form. Made from varnished, turned ash, oak or American walnut, it fastens to the wall through a clever aluminium mechanism hidden within, which attaches via a basic flathead screw. Available in a variety of colours, it's especially at home in cosy, big-city apartments.

1

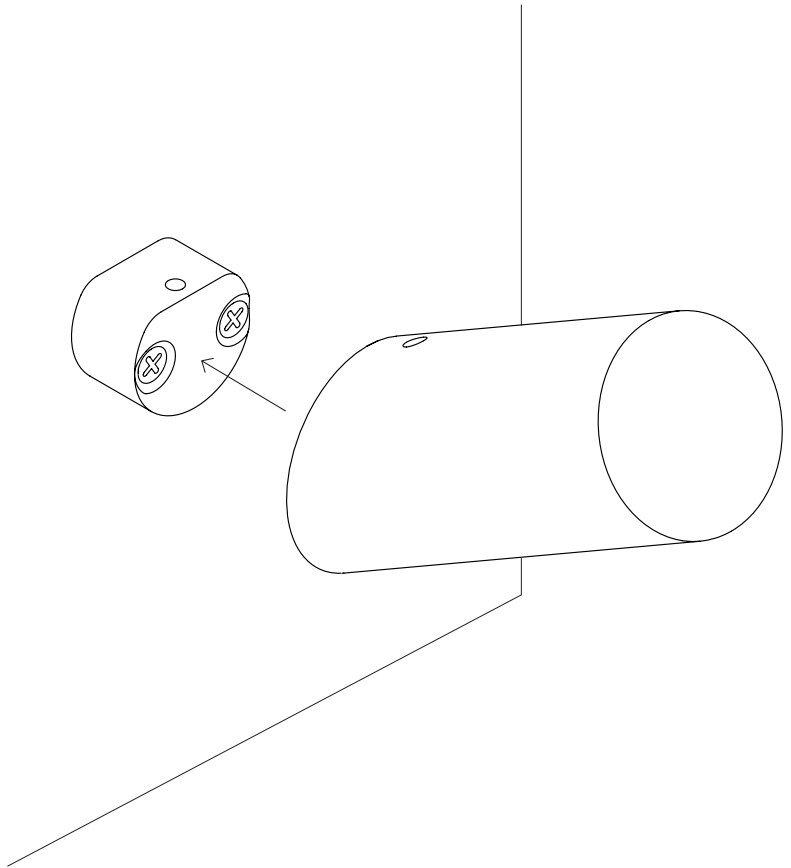
Take the metal part of the hook out.

Screw to the wall as in the picture below, make sure the holes are on a straight horizontal line.



2

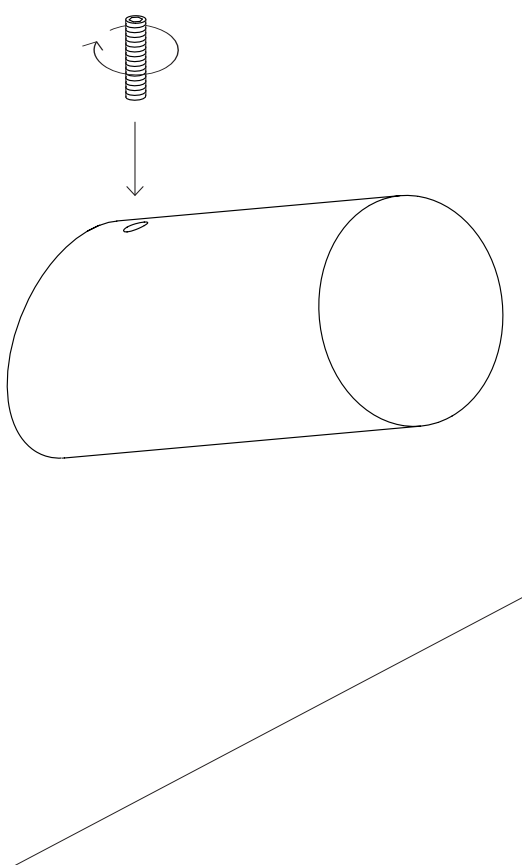
Slide the wooden part onto the metal part in the wall.



3

Then, fix both parts together with the screw provided.

Make sure the screw sits tightly.



?

Should you have any problems assembling your
product, contact us at info@hem.com.

We're always happy to help!

hem

hem.com